

STIHL®

STIHL HS 75, 80

Instruction Manual Manual de instrucciones



Warning!

For safe operation follow all safety precautions in Instruction Manual - improper use can cause serious injury.

Advertencia!

Para su seguridad durante el manejo de este producto, siga siempre las precauciones de seguridad dadas en el manual de instrucciones - el uso indebido puede causar lesiones graves.



Contents

Guide to Using this Manual	2
Safety Precautions	3
Using the Unit	10
Fuel	11
Fueling	12
Rear Handle	13
Starting / Stopping the Engine	13
Operating Instructions	15
Cleaning the Air Filter	15
Motor Management	16
Adjusting the Carburetor	16
Spark Arresting Screen in Muffler	17
Checking the Spark Plug	18
Lubricating Gearbox	19
Replacing the Starter Rope and Rewind Spring	19
Storing the Machine	22
Sharpening Instructions	22
Maintenance Chart	23
Parts and Controls	24
Specifications	26
Special Accessories	27
Maintenance and Repairs	27
STIHL Incorporated Federal and California Emission Control Warranty Statement	28

Allow only persons who understand this manual to operate your hedge trimmer.

To receive maximum performance and satisfaction from your STIHL hedge trimmer, it is important that you read and understand the maintenance and safety precautions, starting on page 3, before using your hedge trimmer.

Contact your STIHL dealer or the STIHL distributor for your area if you do not understand any of the instructions in this manual.

Warning!

Because a hedge trimmer is a high-speed cutting tool some special safety precautions must be observed to reduce the risk of personal injury.

Careless or improper use may cause serious or even fatal injury.

STIHL's philosophy is to continually improve all of its products. As a result, engineering changes and improvements are made from time to time. If the operating characteristics or the appearance of your hedge trimmer differs from those described in this manual, please contact your STIHL dealer for information and assistance.

STIHL®

Guide to Using this Manual

Pictograms

All the pictograms attached to the machine are shown and explained in this manual.

The operating and handling instructions are supported by illustrations.

Symbols in text

The individual steps or procedures described in the manual may be marked in different ways:

- Step or procedure without direct reference to an illustration.

Description of step or procedure that refers directly to the illustration and contains item numbers that appear in the illustration.

Example:

Loosen the screw (1)

Lever (2) ...

In addition to the operating instructions, this manual may contain paragraphs that require your special attention. Such paragraphs are marked with the symbols described below:



Warning where there is a risk of an accident or personal injury or serious damage to property.



Warning where there is a risk of damaging the machine or individual components.



Note or hint which is not essential for using the machine, but may improve the operator's understanding of the situation and result in better use of the machine.



Note or hint on correct procedure in order to avoid damage to the environment.

* Equipment and features

This instruction manual refers to several models with different features. Components that are not installed in all models and related applications are marked thus *. Such components are available as special accessories from your STIHL dealer.

Engineering improvements

STIHL's philosophy is to continually improve all of its products. As a result, engineering changes and improvements are made from time to time. If the operating characteristics or the appearance of your machine differ from those described in this manual, please contact your STIHL dealer for assistance.

Therefore, we cannot be responsible for changes, modifications or improvements not covered in this manual.

Safety Precautions



Because a hedge trimmer is a high-speed, fast-cutting power tool, special safety precautions must be observed to reduce the risk of personal injury.



It is important that you read, fully understand and observe the following safety precautions and warnings. Read the owner's manual and the safety instructions periodically.

Careless or improper use of any hedge trimmer may cause serious or fatal injury.

Have your STIHL dealer show you how to operate your hedge trimmer. Observe all applicable local safety regulations, standards and ordinances.



Warning!
The use of any hedge trimmer may be hazardous. If the cutting tool comes in contact with your body, it will cut you.

Striking solid foreign objects such as stones, fence wire or metal could damage the cutting attachment and may cause blades to crack, chip or break.

STIHL does not recommend the use of hedge trimmers when cutting in areas where the blades could contact such objects.



Warning!
Minors should never be allowed to use a hedge trimmer. Bystanders, especially children, and animals should not be allowed in the area where a hedge trimmer is in use.

The operator is responsible for avoiding injury of third parties and damage to their property.

Never let the hedge trimmer run unattended.



Warning!
Do not lend or rent your hedge trimmer without the owner's manual. Be sure that anyone using your hedge trimmer understands the information contained in this manual.

Most of these safety precautions and warnings apply to the use of all STIHL hedge trimmers. Different models may have different parts and controls. See the appropriate section of your owner's manual for a description of the controls and function of the parts of your model hedge trimmer.

Safe use of a hedge trimmer involves

1. the operator
2. the hedge trimmer
3. the use of the hedge trimmer.

THE OPERATOR!

Physical Condition

You must be in good physical condition and mental health and not under the influence of any substance (drugs, alcohol, etc.) which might impair vision, dexterity or judgment. Do not operate a hedge trimmer when you are fatigued. Be alert - if you get tired while operating your hedge trimmer, take a break. Tiredness may result in loss of control. Working with any hedge trimmer can be strenuous. If you have any condition that might be aggravated by strenuous work, check with your doctor before operating a hedge trimmer.

⚠ Warning!

Prolonged use of a hedge trimmer (or other machines) exposing the operator to vibrations may produce whitefinger disease (Raynaud's phenomenon) or carpal tunnel syndrome. These conditions reduce the hand's ability to feel and regulate temperature, produce numbness and burning sensations and may cause nerve and circulation damage and tissue necrosis.

All factors which contribute to whitefinger disease are not known, but cold weather, smoking and diseases or physical conditions that affect blood vessels and blood transport, as well as high vibration levels and long periods of exposure to vibration are mentioned as factors in the development of whitefinger disease. In order to reduce the risk of whitefinger disease and carpal tunnel syndrome, please note the following:

- Most STIHL power tools are available with an anti-vibration ("AV") system designed to reduce the transmission of vibrations created by the engine to the operator's hands. An AV system is recommended for those persons using power tools on a regular or sustained basis.

- Wear gloves and keep your hands warm.
- Keep the AV system well maintained. A hedge trimmer with loose components or with damaged or worn AV buffers will tend to have higher vibration levels.
- Maintain a firm grip at all times, but do not squeeze the handles with constant, excessive pressures, take frequent breaks.

All the above mentioned precautions do not guarantee that you will not sustain whitefinger disease or carpal tunnel syndrome. Therefore continual and regular users should monitor closely the condition of their hands and fingers. If any of the above symptoms appear, seek medical advice immediately.

⚠ Warning!

The ignition system of your unit produces an electromagnetic field of a very low intensity. This field may interfere with some pacemakers. To reduce the risk of serious or fatal injury, persons with pacemaker should consult their physician and the pacemaker manufacturer before operating this tool.

Proper Clothing

⚠ Warning!



Hedge trimmer operation can cause serious injury to eyes, ears and person. Therefore, to reduce the risk of injury to your eyes never operate a hedge

trimmer unless wearing goggles or properly fitted safety glasses with adequate top and side protection complying with ANSI Z 87.1 (or your applicable national standard). To reduce the risk of injury to your face STIHL recommends that you also wear a face shield or face screen over your goggles or safety glasses.

⚠ Warning!

Hedge trimmer noise may damage your hearing. Wear sound barriers (ear plugs or ear mufflers) to protect your hearing. Continual and regular users should have their hearing checked regularly.



Wear proper protective clothing. Clothing must be sturdy and snug-fitting, but allow complete freedom of movement.

Avoid loose-fitting jackets, scarfs, neckties, jewelry, flared or cuffed pants, unconfined long hair or anything that could become caught on branches, brush or moving parts of the unit. Wear long pants made of heavy material to protect your legs. Do not wear shorts.



Protect your hands with gloves when handling the hedge trimmer and the cutting tool. Heavy-duty, nonslip gloves improve your grip and help to protect your hands.



Good footing is most important in hedge trimmer work. Wear sturdy boots with nonslip soles. Steeltoed safety boots are recommended.

Wear an approved safety hard hat to reduce the risk of injury to your head when there is a danger of head injuries.

THE HEDGE TRIMMER

For illustrations and definitions of the hedge trimmer parts see the chapter on "Parts and Controls"!

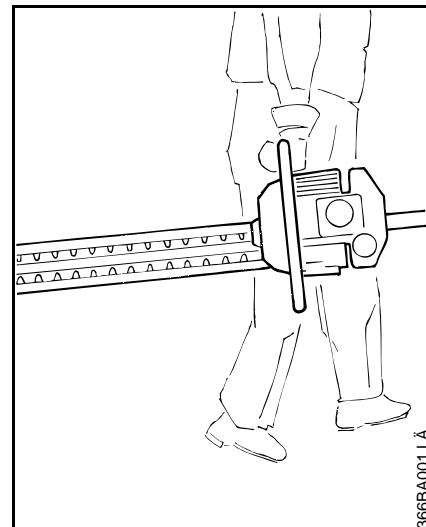
Warning!

Never modify a hedge trimmer in any way. Only attachments supplied by STIHL or expressly approved by STIHL for use with the specific STIHL hedge trimmer models are authorized. Although certain unauthorized attachments are useable for the STIHL hedge trimmer, their use may, in fact, be extremely dangerous.

THE USE OF THE HEDGE TRIMMER

Transporting the hedge trimmer

To reduce the risk of injury from blade contact, never carry or transport the hedge trimmer with the cutter blades running. The correct engine idle speed is important in this respect. If the carburetor setting is correct, the cutter blades will be stationary at idle speed. Always engage the starting lock before transporting the machine (see chapter "Starting"). The starting lock may only be engaged when the cutter blades are at a standstill.



366BA001 LÄ

The hedge trimmer may be carried only in the normal upright position. Grip the front handle and keep the cutter blades behind you.

Always switch off the engine and fit the scabbard over the cutter blades before transporting the hedge trimmer over long distances.

When transporting your hedge trimmer in a vehicle, properly secure it to prevent turnover, fuel spillage and damage to the hedge trimmer.

Preparation for the use of the hedge trimmer

Warning!

Always check your hedge trimmer for proper condition and operation before starting, particularly the throttle trigger, throttle trigger interlock, stop switch, cutting tool and starting lock. The throttle trigger must move freely and always spring back to the idle position. The cutting tool must be properly tightened and in safe operating condition. Inspect for loose parts (nuts, screws, etc.) and for cracked, bent, warped or damaged blades. Regularly check the condition and tightness of the cutter blades - with the engine stopped!

Service damaged cutter blades before using the hedge trimmer. Always keep blades sharp. Keep the handles clean and dry at all times; it is particularly important to keep them free of oil and resin to ensure that you can always maintain a firm grip and safely control your machine.

Warning!

Removal of safety devices can lead to serious injury.

Always spray the cutter blades with STIHL resin solvent before starting work - with the engine stopped! You can obtain this protective spray from your dealer. Apply generously.

Fueling

Your STIHL hedge trimmer uses an oil-gasoline mixture for fuel (see the chapter on "Fuel" of your owner's manual).

Warning!



Gasoline is an extremely flammable fuel. If spilled or ignited by a spark or other ignition source, it can cause fire and serious burn injury or property

damage.

Use extreme caution when handling gasoline or fuel mix. Do not smoke or bring any fire or flame near the fuel.

Fueling Instructions

Fuel your hedge trimmer in well ventilated areas, outdoors.

Warning!

Gasoline vapor pressure may build up inside the gas tank of a two cycle engine depending on the fuel used, the weather conditions, and the venting system of the tank. In order to reduce the risk of burns or other personal injury from escaping gas vapor and fumes, remove the fuel filler cap on your hedge trimmer carefully so as to allow any pressure build-up in the tank to release slowly. Never remove fuel filler cap while engine is running. Select bare ground for fueling and move at least 10 feet (3 m) from the fueling spot before starting the engine.

Wipe off any spilled fuel before starting your hedge trimmer and check for leakage.

Check for fuel leakage while refueling and during operation. If fuel leakage is found, do not start or run the engine until leak is fixed and spilled fuel has been wiped away. Take care not to get fuel on your clothing. If this happens, change your clothing immediately. Never attempt to fuel a running or hot engine.

Warning!

Unit vibrations can cause an improperly tightened fuel cap to loosen or come off and spill quantities of fuel.

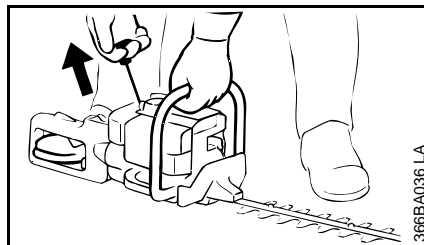
In order to reduce risk of fuel spillage and fire, tighten fuel cap by hand with as much force as possible.

Starting**Warning!**

Your hedge trimmer is a one-person machine. Start and operate your hedge trimmer without assistance.

Warning!

To reduce the risk of injury from blade contact, do not attempt to "drop start" your hedge trimmer. For specific starting instructions, see the appropriate section of your manual.



Place the hedge trimmer on firm ground or other solid surface in an open area. Maintain a good balance and secure footing. To reduce the risk of injury from blade contact or loss of control always engage the starting lock before starting. When the engine starts at starting-throttle, engine speed will be fast enough for the clutch to engage and move the cutting tool. When you pull the starter grip, don't wrap the starter rope around your hand. Do not allow the grip to snap back, but guide the starter rope to rewind properly. Failure to follow this procedure may result in injury to hand or fingers and may damage the starter mechanism.

Working Conditions**Warning!**

To reduce the risk of injury from inhalation of poisonous fumes, operate and start your hedge trimmer only outdoors in a ventilated area.

Hold your hedge trimmer in such a way that you do not breathe in the exhaust fumes. Operate the hedge trimmer under good visibility and daylight conditions only.

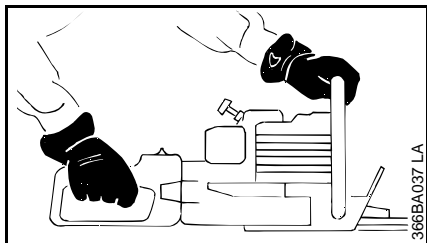
Work carefully. Take particular care in slippery conditions and on slopes. Be careful on uneven ground. Watch out for stumps, roots, ditches or holes which could cause you to trip or stumble. Before you start work, examine the hedge area for stones, fence wire, metal or other solid objects which could damage the cutter blades.

Operating instructions

Do not cut any material other than hedges and shrubs. The cutting tools may be used only for the operations described in your manual.

Warning

To reduce the risk of injury from loss of control, always hold your hedge trimmer firmly with both hands while you are working.



Your right hand should grip the rear handle. This also applies to left-handers. Wrap your fingers tightly around the front and rear handles.

Warning

Never attempt to operate any hedge trimmer with one hand. Loss of control of the hedge trimmer resulting in serious or fatal injury may result.

Make sure you always have good footing. Always work calmly and carefully, stay alert so as not to endanger others.

When working close to the ground, make sure that no sand, grit or stones get between the cutter blades.

If the cutter blades become jammed by thick branches or any other obstruction, switch off the engine immediately before attempting to free the blades.

Warning

To reduce the risk of injury from loss of control, never work on a ladder, in a tree or any other insecure support. Never use the hedge trimmer above shoulder height or with one hand.

Warning

The cutter blades tend to run on for a short period after the throttle trigger is released (flywheel effect).

Important adjustments

Warning

To reduce the risk of personal injury from loss of control or contact with the running cutting blades, do not use a hedge trimmer with incorrect idle adjustment.

At correct idle speed, the cutting blades should not move. For directions to adjust idle speed, see the appropriate section of your owner's manual. If you cannot set the correct idle speed, have your STIHL dealer check your hedge trimmer and make proper adjustments or repairs.

MAINTENANCE, REPAIR AND STORING

Maintenance, replacement, or repair of the emission control devices and systems may be performed by any nonroad engine repair establishment or individual. However if you claim warranty for a component which has not been serviced or maintained properly or if nonapproved replacement parts were used, STIHL may deny warranty.

Use only STIHL replacement parts for maintenance and repair. Use of parts manufactured by others may cause serious or fatal injury.

Follow the maintenance and repair instructions in the appropriate section of your owner's manual. Refer to the maintenance chart at the last pages of this manual.

⚠ Warning

Always stop the engine and make sure that the cutting tool is stopped before doing any maintenance or repair work or cleaning the hedge trimmer. Do not attempt any maintenance or repair work not described in your owner's manual. Have such work performed at your STIHL service shop only.

⚠ Warning

Never repair damaged cutting attachments by welding, straightening or modifying the shape. This may cause parts of the cutting tool to come off and result in serious or fatal injuries.

Check condition of cutting tool at regular short intervals. If behavior of tool changes, check it immediately for tightness or any signs of cracks in particular. Replace damaged or dull cutting tools immediately, even if they have only superficial cracks.

⚠ Warning

Never test the ignition system with ignition wire terminal removed from spark plug or with unseated spark plug, since uncontained sparking may cause a fire.

To reduce the risk of fire and burn injury, use only spark plugs authorized by STIHL. Always press spark plug boot snugly onto spark plug terminal of the proper size. (Note: If terminal has detachable SAE adapter nut, it must be attached.) A loose connection between spark plug terminal and ignition wire connector in the boot may create arcing that could ignite combustible fumes and cause a fire. Keep spark plug clean, and make sure ignition lead is in good condition.

⚠ Warning

To reduce the risk of fire, check fuel filler cap for leaks at regular intervals.

Always clean dust and dirt off the machine after finishing work. Do not use a grease solvent for cleaning!
An aerosol can of resin solvent (protective spray), Part No. 0782 420 1002, is available for spraying the cutter blades. This resin solvent protects the cutter blades and has anticorrosive properties. Spray the cutter blades before and after work. Then start and run the hedge trimmer briefly so that the resin solvent is evenly distributed over the blades. If the hedge itself is very dusty and dirty, spray the cutter blades more frequently. This greatly reduces blade friction and the damaging effects of sap and dust particles.

⚠ Warning

Do not operate your hedge trimmer if the muffler is damaged, missing or modified. An improperly maintained muffler will increase the risk of fire and hearing loss. Never touch a hot muffler or burn will result. If your muffler was equipped with a spark-arresting screen to reduce the risk of fire (e.g. in the USA, Canada and Australia), never operate your hedge trimmer if the screen is missing or damaged. Remember that the risk of forest fires is greater in hot or dry weather. Keep the engine and muffler free from cuttings, chips, leaves, fibers and excess lubricant.

Using the Unit

Warning

In order to reduce the risk of fire, do not modify or remove any part of the muffler or spark arresting.

Keep cutting tool sharp. Tighten all nuts, bolts and screws except the carburetor adjustment screws after each use.

Keep spark plug and wire connection tight and clean. The spark plug electrode gap should be checked with a feeler gauge at least every 50 operating hours and reset if necessary. Fit a new spark plug if the electrodes are badly pitted.

For any maintenance please refer to the maintenance chart **and to the warranty statement** near the end of this manual.

Store hedge trimmer in a dry, high or locked location out of reach of children. Before storing for longer than a few days, always empty the fuel tank.

Cutting season

Observe all country-specific and local regulations and ordinances regarding hedge trimming.



Do not use your hedge trimmer during other people's rest periods.

Preparations



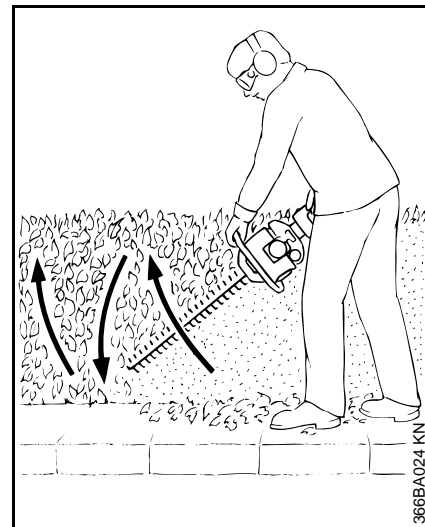
Before starting work, scare away small animals so that they cannot be injured.

Use lopping shears to cut out thick branches first.

Cutting sequence

If a radical cut is necessary, cut a little at a time in several passes.

Cut both sides of the hedge first, then the top.

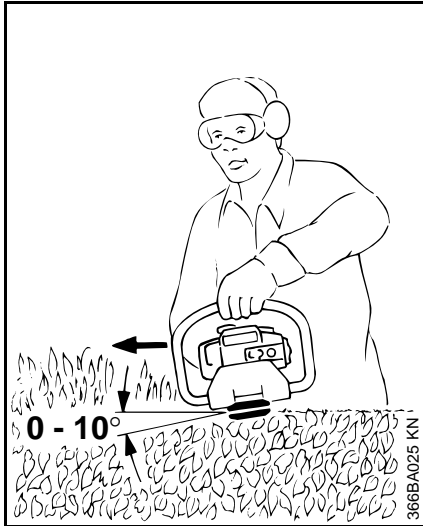


Cutting techniques

Vertical cut:

Swing the cutting blade up and down in an arc as you move along the hedge - use both sides of the cutting blade.

Fuel



Horizontal cut:

Hold the cutting blade at an angle of 0° to 10° as you swing the hedge trimmer horizontally.

Swing the blade in an arc towards the outside of the hedge so that the cuttings are swept on to the ground.



Do not throw cuttings in the rubbish bin (garbage can) - they can be composted!

This engine is certified to operate on unleaded gasoline and the STIHL two-stroke engine oil at a mix ratio of 50:1.

Your two-stroke engine requires a mixture of high-quality gasoline and quality two-stroke air cooled engine oil.

Use mid-grade unleaded gasoline with a minimum octane rating of 89 (R+M/2). If the octane rating of the mid-grade gasoline in your area is lower, use premium unleaded fuel.

Fuel with a lower octane rating may increase engine temperatures. This, in turn, increases the risk of piston seizure and damage to the engine.

The chemical composition of the fuel is also important. Some fuel additives not only detrimentally affect elastomers (carburetor diaphragms, oil seals, fuel lines, etc.), but magnesium castings and catalytic converters as well. This could cause running problems or even damage the engine. For this reason STIHL recommends that you use only nationally recognized high-quality unleaded gasoline!

Use only STIHL two-stroke engine oil or equivalent high-quality two-stroke engine oils that are designed for use only in air cooled two-cycle engines.

We recommend STIHL 50:1 two-stroke engine oil since it is specially formulated for use in STIHL engines.

Do not use BIA or TCW rated (two-stroke water cooled) mix oils or other mix oils that state they are for use in both water cooled and air cooled engines (e.g., outboard motors, snowmobiles, chainsaws, mopeds, etc.).

Take care when handling gasoline. Avoid direct contact with the skin and avoid inhaling fuel vapor. When filling at the pump, first remove the canister from your vehicle and place the canister on the ground before filling. Do not fill fuel canisters that are sitting in or on a vehicle.

The canister should be kept tightly closed in order to avoid any moisture getting into the mixture.

The machine's fuel tank and the canister in which fuel mix is stored should be cleaned as necessary.

Fueling



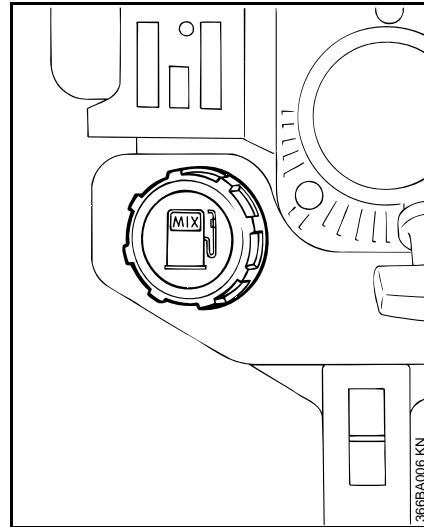
Fuel mix ages

Only mix sufficient fuel for a few days work, not to exceed 3 months of storage. Store in approved fuel-canisters only. When mixing, pour oil into the canister first, and then add gasoline. Close the canister and shake it vigorously by hand to ensure proper mixing of the oil with the fuel.

Gasoline	Oil (STIHL 50:1 or equivalent high-quality oils)
----------	--

US gal.	US fl.oz
1	2.6
2 1/2	6.4
5	12.8

Dispose of empty mixing-oil canisters only at authorized disposal locations.

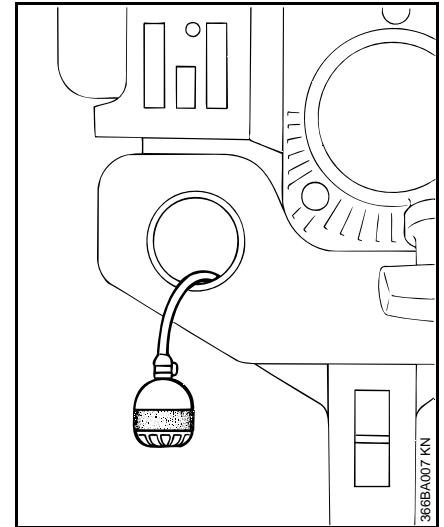


Before fueling, clean the filler cap and the area around it to ensure that no dirt falls into the tank.

Always thoroughly shake the mixture in the canister before fueling your machine.

⚠ In order to reduce the risk of burns or other personal injury from escaping gas vapor and fumes, remove the fuel filler cap carefully so as to allow any pressure build-up in the tank to release slowly.

⚠ After fueling, tighten fuel cap **as securely as possible** by hand.

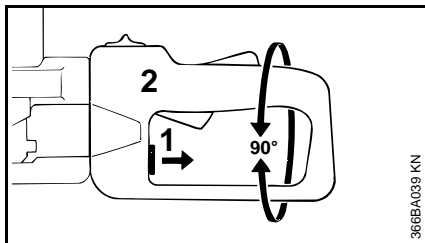


Change the fuel pick up body every year.

Before storing your machine for a long period, drain and clean the fuel tank and run engine until carburetor is dry.

Rear Handle

(HS 80 only)



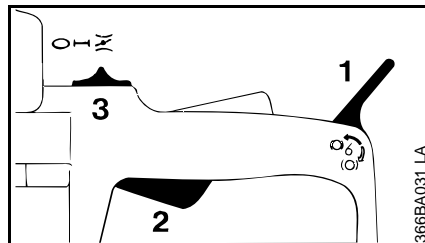
The rear handle can be turned 90° to the left or right for better control and comfort.

Let go of throttle trigger - Do not open the throttle

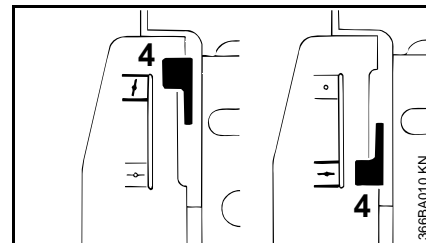
- Release the twist lock (1).
Turn the handle (2) as required and allow twist lock to snap into position.
- Make sure the handle is locked before opening the throttle.

Do not operate the throttle while the twist lock is released. Do not release the twist lock while you are operating the throttle.

Starting / Stopping the Engine



- Observe safety precautions.
- Move the blade lock lever (1) to position **O**.
- Squeeze the throttle trigger (2) and move the slide control (3) to **I** at the same time.
- Release the throttle trigger.
- Let go of the slide control. This is the **starting throttle position**.

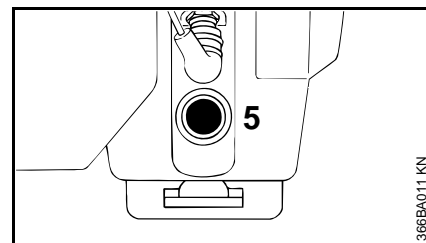


- Set the choke lever (4):

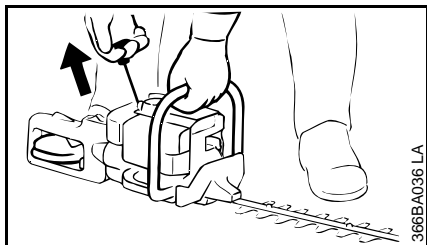
For **cold start** to **I**

For **warm start** to **II**

Also use this setting if engine has been running but is still cold.



- Press the fuel pump bulb (5) at least five times.



- Put the unit on the ground with the rewind starter facing up. Make sure it is secure.
- Remove the blade scabbard before starting.
- Make sure you have a firm footing: Hold the unit with your left hand on the front handle and press it down **firmly**.
- Pull the starter rope slowly with your right hand until you feel it engage and then give it a brisk strong pull. Do not pull out the starter rope all the way – it might otherwise break.
- Do not let the starter grip snap back – guide it slowly into the housing so that the starter rope can rewind properly.

When engine begins to fire:

- Move the choke lever to $\overline{\text{I}}$ and continue cranking.
As soon as engine runs, blip the throttle trigger, the slide control moves to the run position **I** and the engine settles down to idle speed.
- Move the blade lock lever to \odot .

To shut down the engine:

- Move the slide control to **O**.

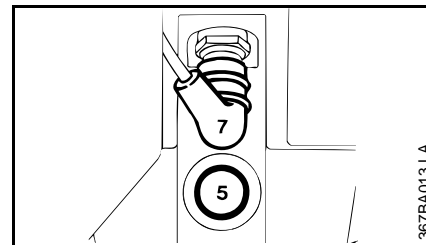
At very low outside temperatures:

As soon as engine runs:

- Blip the throttle trigger – the slide control moves to the run position **I** – and the engine settles down to idle speed.
- Open the throttle part way and warm up engine for a brief period.

If the engine doesn't start:

If you did not move the choke lever to $\overline{\text{I}}$ quickly enough after the engine began to fire, the combustion chamber is flooded.



- Pull off the spark plug boot (**7**).
- Unscrew and dry off the spark plug.
- Set slide control to **O**.
- Open the throttle wide.
- Crank the engine several times with the starter to clear the combustion chamber.
- Refit the spark plug.
- Connect the spark plug boot (press it down firmly).
- Set slide control to **I**
- Set choke lever to $\overline{\text{I}}$ even if engine is cold.
- Now start the engine.

Fuel tank run dry and then refueled:

- Press the fuel pump bulb (**5**) at least five times.
- Now start the engine.

Operating Instructions

During break-in period

A factory new machine should not be run at high revs (full throttle off load) for the first three tank fillings. This avoids unnecessary high loads during the break-in period. As all moving parts have to bed in during the break-in period, the frictional resistances in the engine are greater during this period. The engine develops its maximum power after about 5 to 15 tank fillings.

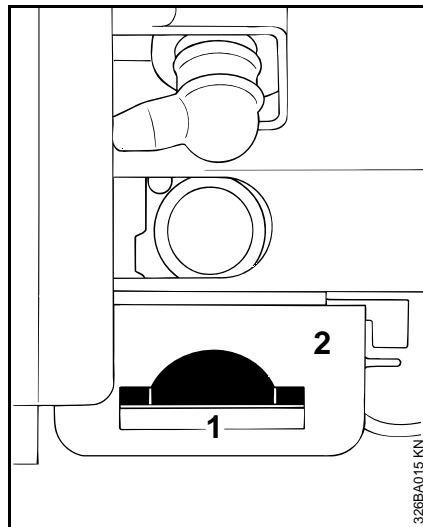
During operation

After a long period of full-throttle operation, allow engine to run for a while at idle speed so that the heat in the engine can be dissipated by flow of cooling air. This protects engine-mounted components (ignition, carburetor) from thermal overload.

After finishing work

Wait for engine to cool down. Drain the fuel tank. Store the machine in a dry place. Check tightness of nuts and screws (not adjusting screws) at regular intervals and retighten as necessary.

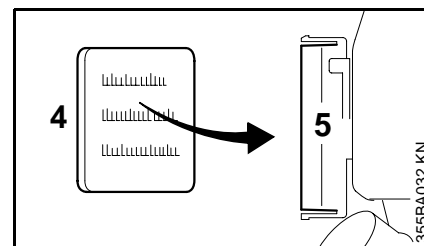
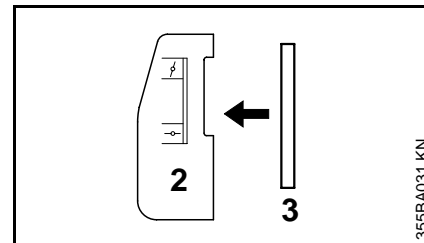
Cleaning the Air Filter



Dirty air filters reduce engine power, increase fuel consumption and make starting more difficult.

If there is a noticeable loss of engine power

- Move choke lever to \bar{I}
- Press in the tab (1).
- Ease the filter cover (2) over the tab and take it away.
- Clean away loose dirt from around the filter.
- Remove the foam and felt filter elements.



- Wash the foam element in a clean, non-flammable cleaning solution (e.g. warm soapy water) and then dry.
- Fit new felt element. As a temporary measure you can knock it out on the palm of your hand or blow it out with compressed air. **Do not wash.**

Replace damaged parts.

- Install the foam element (3) in the filter cover (2).
- Place felt element (4) (lettering facing inward) in filter housing (5).
- Fit filter cover so that it snaps into position.

Motor Management

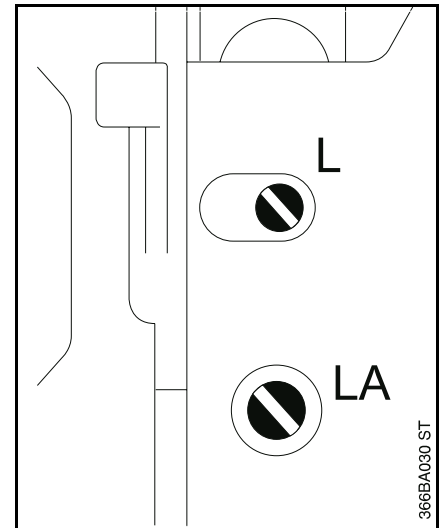
Exhaust emissions are controlled by the design of the fundamental engine parameters and components (e.g. carburation, ignition, timing and valve or port timing) without the addition of any major hardware.

Adjusting the Carburetor

Your carburetor does not have a high speed adjusting screw (H screw). Adjustment of maximum engine speed is not necessary.

The carburetor is set at the factory to provide an optimum fuel-air mixture under most operating conditions.

Idling and part-load emissions are minimized by limiting the idle mixture.



- Check the cutting blades and clean if necessary (they must be clean, move freely and not be bent or warped).
- Check the air filter and clean it if necessary.
- Warm up the engine.
- Carefully screw the low speed screw (**L**) down onto its seat. Then open it **one** turn counterclockwise (standard setting, **L = 1**).

Spark Arresting Screen in Muffler

Adjusting Idle Speed

Engine stops while idling:

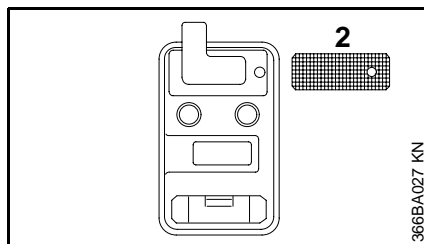
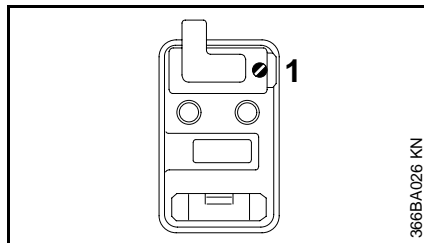
Check standard setting.
(L screw must be one turn open)

- Turn idle speed screw (**LA**) slowly clockwise until the cutting blades start running and then turn one half turn counterclockwise.

Cutting blades run when engine is idling:

Check standard setting.
(L screw must be one turn open)

- Turn idle speed screw (**LA**) slowly counterclockwise until the cutting blades stop running at idle speed and turn the screw about another one half turn in the same direction.



- Clean spark arresting screen if necessary.
- If screen is damaged or coked up, fit a new one.
- Refit the spark arresting screen.
- Fit the shroud.

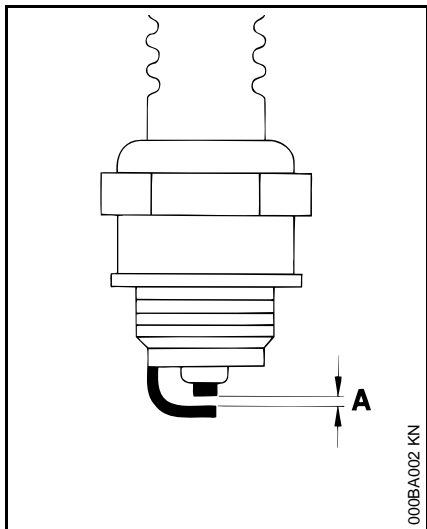
If the engine is low on power, check the spark arresting screen* inside the muffler.

Warning: Wait for the engine to cool down completely before performing this work.

- Remove the shroud.
Take out the screw (1).
- Remove the spark arresting screen (2).

* see "Guide to Using this Manual"

Checking the Spark Plug



Wrong fuel mix (too much engine oil in the gasoline), a dirty air filter and unfavorable running conditions (mostly at part throttle etc.) affect the condition of the spark plug. These factors cause deposits to form on the insulator nose which may result in trouble in operation.

If engine is down on power, difficult to start or runs poorly at idling speed, first check the spark plug.

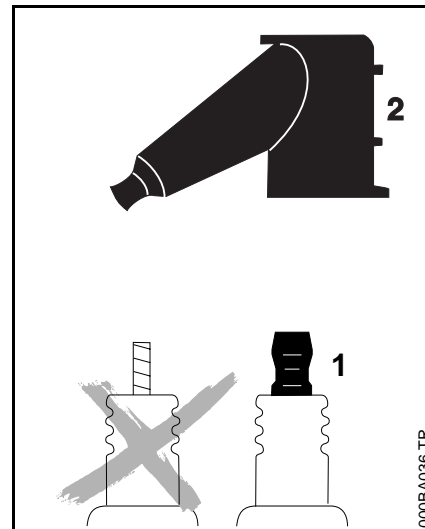
- Remove spark plug – see “Starting / Stopping the Engine”.
- Clean dirty spark plug.
- Check electrode gap (**A**) and readjust if necessary – see “Specifications”.
- Use only resistor type spark plugs of the approved range.

Rectify problems which have caused fouling of spark plug:

- Too much oil in fuel mix.
- Dirty air filter.
- Unfavorable running conditions, e.g. operating at part load.

Fit a new spark plug after approx. 100 operating hours

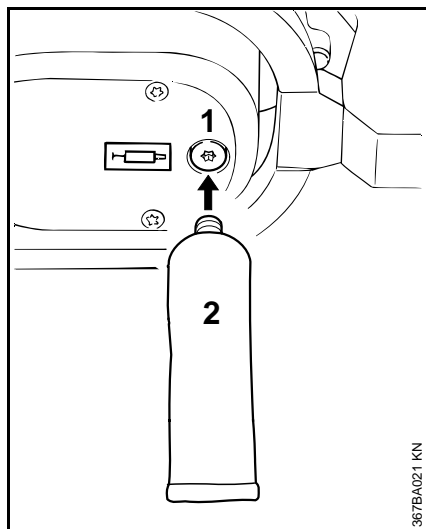
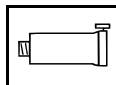
or earlier if the electrodes are badly eroded.



⚠ To reduce the risk of fire and burn injury, use only spark plugs authorized by STIHL. Always press spark plug boot (**2**) snugly onto spark plug terminal (**1**) of the proper size. (Note: If terminal has detachable SAE adapter nut, it must be attached.)

A loose connection between spark plug boot and ignition wire connector in the boot may create arcing that could ignite combustible fumes and cause a fire.

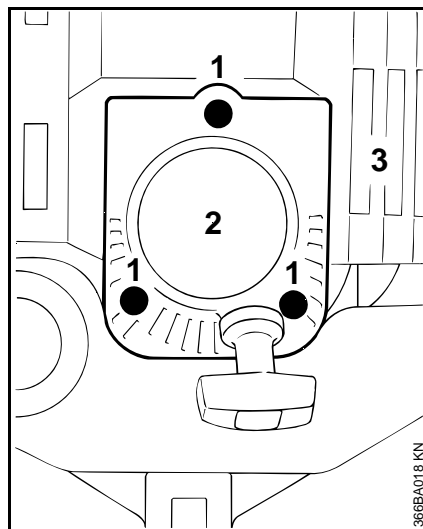
Lubricating Gearbox



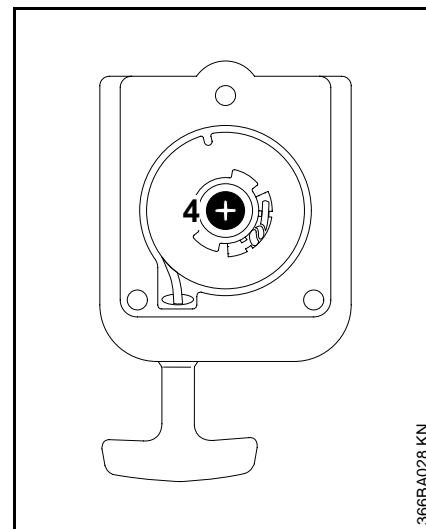
Use STIHL gear lubricant for hedge trimmers (see "Specifications") to lubricate the blade drive gear about every 25 hours of operation.

- Remove screw plug (1) from gear housing.
- Screw the tube of grease (2) into the filler hole.
- Roll up the end of the tube to the next division on the scale. This forces about 3/4 oz (20 g) grease into the gearbox.
- Refit screw plug and tighten securely.

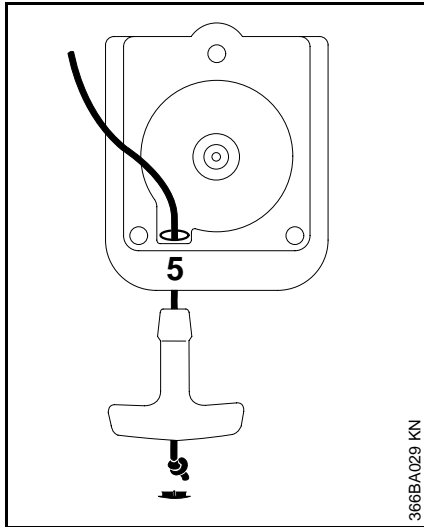
Replacing the Starter Rope and Rewind Spring



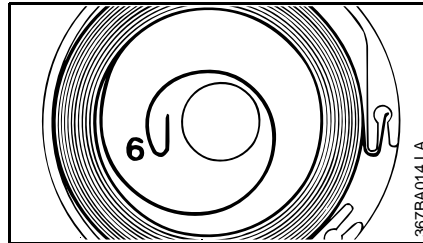
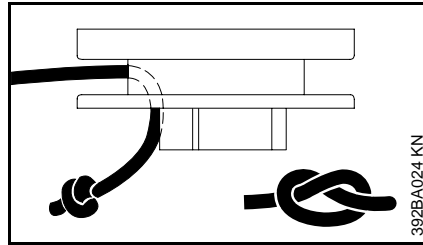
- Remove the screws (1).
- Lift the starter cover (2) off the engine (3).



- Take out the screw (4).
- Remove the rope rotor very carefully – the rewind spring is seated in the rope rotor and may pop out, uncoil and cause injury if care is not taken.



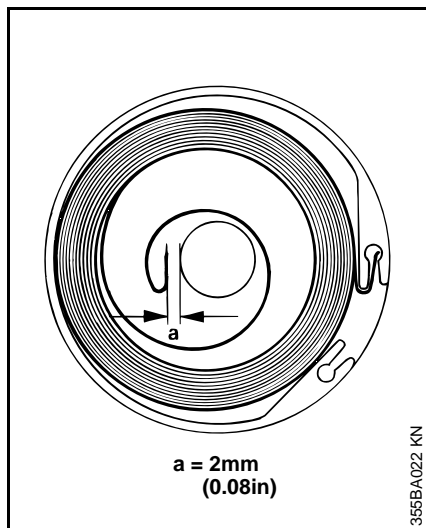
- Use a screwdriver to ease the cap out of the starter grip.
- Remove remaining rope from the rotor and grip, making sure the ElastoStart sleeve is not pushed out of the grip.
- Tie a simple overhand knot in the end of the new starter rope (see "Specifications") and then thread rope through the top of the grip and the rope bushing (5).
- Refit the cap in the grip.



- Pull the rope through the rotor and secure it with a simple overhand knot.
- Lubricate rope rotor bore with non-resinous oil.
- Push rotor onto the starter post – turn back and forth until loop (6) of rewind spring engages.
- Insert screw and tighten down securely. Go to "Tensioning rewind spring".

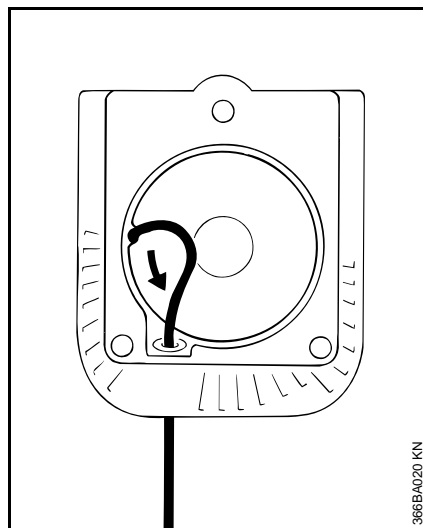
Replacing a broken rewind spring

- Lubricate the new spring with a few drops of non-resinous oil, do not open the wire retainer
- Remove the rope rotor.
- Remove parts of old spring.
- Fit the new spring – position outer spring loop in the recess – the wire retainer slips off in this process.



If the spring has popped out:
Refit it in the counterclockwise direction, starting outside and working inward.

- Install the rope rotor.
- Check dimension "a" on inner spring loop and bend it to size if necessary.
- Go to "Tensioning the rewind spring".



The starter grip must be firmly seated in the rope guide bushing.
If grip droops to one side:
Add one more turn on rope rotor to increase spring tension.

- When the starter rope is fully extended it must be possible to rotate the rotor another half turn. If this is not the case, the spring is overtensioned and could break. Take one turn of rope off the rotor.
- Fit the starter cover.

Tensioning the rewind spring

- Make a loop in the unwound starter rope and use it to turn the rope rotor six full revolutions counterclockwise.
- Hold the rotor steady – straighten the twisted rope.
- Release the rotor.
- Let go of rope slowly so that it winds onto the rotor.

Storing the Machine

For periods of about 3 months or longer

- Drain and clean the fuel tank in a well ventilated area.
- Run engine until carburetor is dry - this helps prevent carburetor diaphragms sticking together.
- Clean the cutting blades, check condition and spray with STIHL resin solvent.
- Thoroughly clean the machine - pay special attention to the cylinder fins and air filter.
- Store the machine in a dry, high or locked location - out of the reach of children and other unauthorized persons.

Sharpening Instructions

The blades must be resharpened if cutting performance and behavior begin to deteriorate (i.e. if blades frequently snag on branches).

It is best to have the cutting blades resharpened by your STIHL dealer on a workshop sharpener.

It is also possible to use a flat crosscut sharpening file. See "Specifications" for prescribed sharpening or filing angle.

- Always file towards the cutting edge.
- The file only sharpens on the forward stroke - lift it off the blade on the backstroke.
- Use a whetstone to remove burr from cutting edge.
- Remove as little material as possible.
- After sharpening, clean filing or grinding dust off the cutting blades and lubricate with grease.



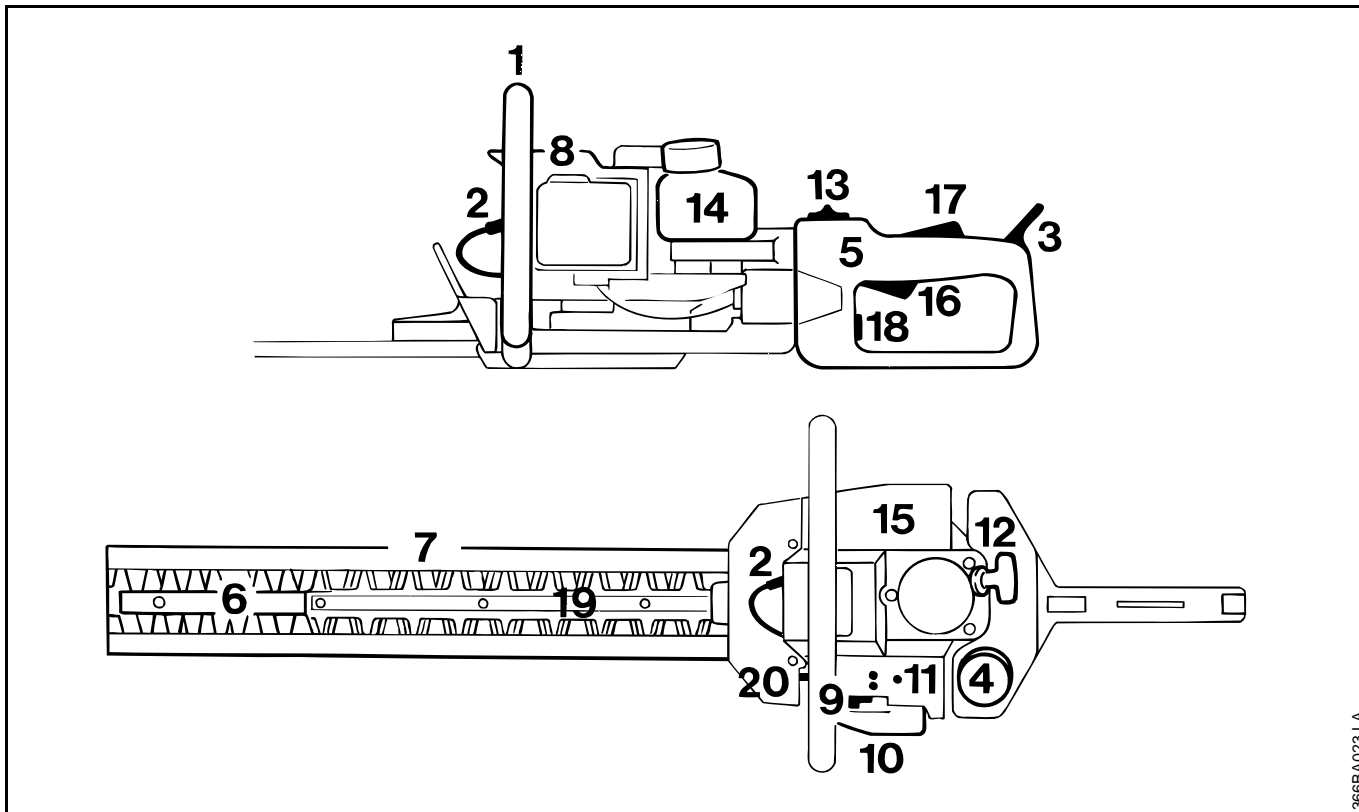
Do not operate your machine with dull or damaged cutting blades. This may cause overload and will give unsatisfactory cutting results.

Maintenance Chart

The following maintenance intervals apply to normal operating conditions only. If your daily working time is longer than normal or operating conditions are difficult (very dusty work area etc.), shorten the specified intervals accordingly.		before starting work	after finishing work or daily	after each refueling stop	weekly	monthly	every 12 months	if problem	if damaged	if required
Complete machine	Visual inspection (condition, leaks)	X		X						
	Clean		X							
Control handle	Check operation	X		X						
Air filter	Clean							X		X
	Replace								X	
Filter in fuel tank	Check*							X		
	Replace*						X		X	X
Fuel tank	Clean							X		X
Carburetor	Check idle setting	X		X						
	Readjust idle									X
Spark plug	Readjust electrode gap							X		
Cooling air intake	Visual inspection		X							
	Clean									X
Spark arresting screen in muffler	Check*								X	
	Clean* or replace*									X
All accessible screws and nuts (not adjusting screws)	Tighten									X
Cutting blades	Clean		X							
	Sharpen									X
Gear lubrication	Check									X
	Top up									X

* STIHL Service

Parts and Controls



- | | | |
|-------------------|--------------------------------|-------------------------------|
| 1 Front Handle | 7 Cutting Blade Scabbard | 14 Fuel Tank |
| 2 Spark Plug Boot | 8 Shroud | 15 Muffler |
| 3 Blade Lock | 9 Choke Lever | 16 Throttle Trigger |
| 4 Fuel Filler Cap | 10 Filter Housing | 17 Throttle Trigger Interlock |
| 5 Rear Handle | 11 Carburetor Adjusting Screws | 18 Twist Lock (HS 80 only) |
| 6 Cutting Blades | 12 Starter Grip | 19 Cutting Blade Guard |
| | 13 Slide Control | 20 Fuel Pump |

Definitions

- 1. Front Handle.**
Handle bar for the left hand at front of hedge trimmer.
- 2. Spark Plug Boot.**
Connects the spark plug with the ignition wire.
- 3. Blade Lock.**
Helps to prevent movement of cutting blades during starting.
- 4. Fuel Filler Cap.**
For closing the fuel tank.
- 5. Rear Handle.**
The support handle for the right hand, located at or toward the rear of the hedge trimmer.
- 6. Cutting Blades.**
Steel blades for cutting hedges and shrubs.
- 7. Cutting Blade Scabbard.**
Covers cutting blades when hedge trimmer is not in use.
- 8. Shroud.**
Polymer housing which encloses the power unit.
- 9. Choke Lever.**
Eases engine starting by enriching mixture.
- 10. Filter Housing.**
Housing, which covers the air filter.
- 11. Carburetor Adjustment Screws.**
For tuning carburetor.
- 12. Starter Grip.**
The grip of the pull starter, which is the device to start the engine.
- 13. Slide Control.**
Lever for starting throttle and stop switch.
- 14. Fuel Tank.**
For gasoline and oil mixture.
- 15. Muffler.**
Reduces engine exhaust noise and directs the exhaust gases.
- 16. Throttle Trigger.**
Controls the speed of the engine.
- 17. Throttle Trigger Interlock.**
Must be depressed before activating the throttle trigger.
- 18. Twist Lock.**
Lever for rotating the rear handle.
- 19. Cutting Blade Guard.**
Helps to reduce the risk of operator contact by the cutting blades.
- 20. Fuel Pump.**
Provides additional fuel feed for a cold start.

Specifications

EPA / CEPA:

The Emission Compliance Period referred to on the Emissions Compliance Label indicates the number of operating hours for which the engine has been shown to meet Federal emission requirements.

Category A = 300 hours, B = 125 hours, C = 50 hours

CARB:

The Emission Compliance Period used on the CARB-Air Index Label indicates the terms:

Extended = 300 hours,
Intermediate = 125 hours,
Moderate = 50 hours

Engine

STIHL single cylinder two-stroke engine

Displacement:	1.55 cu.in (25.4 cm ³)
Bore:	1.34 in (34 mm)
Stroke:	1.10 in (28 mm)
Engine power to ISO 8893:	1.3 bhp (0.95 kW)
Idle speed:	2800 rpm

Ignition System

Typ: Electronic magneto ignition

Spark plug (suppressed):	Bosch WSR 6 F or NGK BPMR 7 A;
Electrode gap:	0.02 in (0.5 mm)
Spark plug thread:	M 14 x 1.25; 0.37 in (9.5 mm) long

Fuel System

Carburetor: All position diaphragm carburetor with integral fuel pump

Air filter:	Foam and felt elements
Fuel tank capacity:	12.6 fl.oz. (0.37 l)
Fuel mix:	See "Fuel"

Rewind Starter

Starter rope:	0.11 in dia., 31.5 in (2.7 mm dia., 800 mm)
---------------	---

Cutting blade sharpening angle

45° to horizontal

Weight (complete unit)

HS 75/20 in*	11.9 lbs (5.4 kg)
HS 75/24 in*	12.3 lbs (5.6 kg)
HS 80/24 in*	12.6 lbs (5.7 kg)
HS 80/30 in*	13.0 lbs (5.9 kg)

*Length of cutting blades

Special Accessories

STIHL resin solvent

for cleaning cutting blades

STIHL gear lubricant

80g/3oz tube


225g/8oz tube

Contact your STIHL dealer for more information on these and other special accessories.

Maintenance and Repairs

The user of this unit should carry out only the maintenance operations described in this manual. Other repair work may be performed only by an authorized STIHL dealer.

Warranty claims following repairs can be accepted only if the repair has been performed by an authorized STIHL dealer using original STIHL replacement parts.

Original STIHL parts can be identified by the STIHL part number, the **STIHL** logo and the STIHL parts symbol . The symbol may appear alone on small parts.

STIHL Incorporated Federal and California Emission Control Warranty Statement

Your Warranty Rights and Obligations

The U.S. Environmental Protection Agency (EPA), the California Air Resources Board (CARB) and STIHL Incorporated are pleased to explain the Emission Control System Warranty on your model year 2000 and later equipment type engine. In California, new small off-road engines must be designed, built and equipped to meet the State's stringent anti-smog standards. In other states, new 1997 and later model year small off-road equipment engines must be designed, built and equipped, at the time of sale, to meet the U.S. EPA regulations for small non road engines. The equipment engine must be free from defects in materials and workmanship which cause it to fail to conform with U.S. EPA standards for the first two years of engine use from the date of sale to the ultimate purchaser.

STIHL Incorporated must warrant the emission control system on your small off-road engine for the period of time listed below provided there has been no abuse, neglect or improper maintenance of your small off-road equipment engine.

Your emission control system includes parts such as the carburetor and the ignition system. Also included may be hoses, and connectors and other emission related assemblies.

Where a warrantable condition exists, STIHL Incorporated will repair your small off-road equipment engine at no cost to you, including diagnosis (if the diagnostic work is performed at an authorized dealer), parts, and labor.

Manufacturer's Warranty Coverage:

The small off-road equipment engines are warranted for two years in California. In other states, 1997 and later model year small off-road equipment engines are also warranted for two years. If any emission-related part on your engine is defective, the part will be repaired or replaced by STIHL Incorporated free of charge.

Owner's Warranty Responsibilities:

As the small off-road equipment engine owner, you are responsible for the performance of the required maintenance listed in your owner's manual. STIHL Incorporated recommends that you retain all receipts covering maintenance on your small off-road equipment engine, but STIHL Incorporated cannot deny warranty solely for the lack of receipts or for your failure to ensure the performance of all scheduled maintenance.

Any replacement part or service that is equivalent in performance and durability may be used in non-warranty maintenance or repairs, and shall not reduce the warranty obligations of the engine manufacturer.

As the small off-road equipment engine owner, you should be aware, however, that STIHL Incorporated may deny you warranty coverage if your small off-road equipment engine or a part has failed due to abuse, neglect, improper maintenance or unapproved modifications.

You are responsible for presenting your small off-road equipment engine to a STIHL service center as soon as a problem exists. The warranty repairs will be completed in a reasonable amount of time, not to exceed 30 days. If you have any questions regarding your warranty rights and responsibilities, please contact a STIHL customer service representative at 1-800-467-8445 or you can write to STIHL Inc., 536 Viking Drive, P.O. Box 2015, Virginia Beach, VA 23450-2015.

Coverage by STIHL Incorporated

STIHL Incorporated warrants to the ultimate purchaser and each subsequent purchaser that your small off-road equipment engine will be designed, built and equipped, at the time of sale, to meet all applicable regulations. STIHL Incorporated also warrants to the initial purchaser and each subsequent purchaser that your engine is free from defects in materials and workmanship which cause the engine to fail to conform with applicable regulations for a period of two years.

Warranty Period

The warranty periods will begin on the date the utility equipment engine is purchased by the initial purchaser and you have signed and sent back the warranty card to STIHL. If any emission related part on your engine is defective, the part will be replaced by STIHL Incorporated at no cost to the owner. Any warranted part which is not scheduled for replacement as required maintenance, or which is scheduled only for regular inspection to the effect of "repair or replace as necessary" will be warranted for the warranty period. Any warranted part which is scheduled for replacement as required maintenance will be warranted for the period of time up to the first scheduled replacement point for that part.

Diagnosis

You, as the owner, shall not be charged for diagnostic labor which leads to the determination that a warranted part is defective. However, if you claim warranty for a component and the machine is tested as non-defective, STIHL Incorporated will charge you for the cost of the emission test. Mechanical diagnostic work will be performed at an authorized STIHL servicing dealer. Emission test may be performed either at STIHL Incorporated or at any independent test laboratory.

Warranty Work

STIHL Incorporated shall remedy warranty defects at any authorized STIHL servicing dealer or warranty station. Any such work shall be free of charge to the owner if it is determined that a warranted part is defective. Any manufacturer-approved or equivalent replacement part may be used for any warranty maintenance or repairs on emission-related parts and must be provided without charge to the owner. STIHL Incorporated is liable for damages to other engine components caused by the failure of a warranted part still under warranty.

The California Air Resources Board's Emission Warranty Parts List specifically defines the emission-related warranted parts. These warranted parts are:

Carburetor
Choke (Cold start enrichment system)
Intake manifold
Air filter
Spark plug
Magneto or electronic ignition system (ignition module)
Catalytic converter (if applicable)
Fasteners

Where to make a claim for Warranty Service

Bring the product to any authorized STIHL servicing dealer and present the signed warranty card.

Maintenance Requirements

The maintenance instructions in this manual are based on the application of the recommended 2-stroke fuel-oil mixture (see also instruction "Fuel"). Deviations from this recommendation regarding quality and mixing ratio of fuel and oil may require shorter maintenance intervals.

Limitations

This Emission Control Systems Warranty shall not cover any of the following:

- repair or replacement required because of misuse, neglect or lack of required maintenance,
 - repairs improperly performed or replacements not conforming to STIHL Incorporated specifications that adversely affect performance and/or durability, and alterations or modifications not recommended or approved in writing by STIHL Incorporated,
- and
- replacement of parts and other services and adjustments necessary for required maintenance at and after the first scheduled replacement point.

Contenido

Guía para el uso de este manual ...	32
Medidas de seguridad	33
Uso de la máquina	40
Combustible	41
Llenado de combustible	42
Mango trasero	43
Arranque / parada del motor	43
Instrucciones de manejo	45
Limpieza del filtro de aire	45
Manejo del motor	46
Ajuste del carburador	46
Chispero en silenciador	47
Revisión de la bujía	48
Lubricación de la caja de engranajes	49
Sustitución de la cuerda de arranque y resorte de rebobinado	49
Almacenamiento de la máquina	52
Instrucciones de afilado	52
Tabla de mantenimiento	53
Piezas y controles	54
Especificaciones	56
Accesorios especiales	57
Mantenimiento y reparación	57
Declaración de garantía de STIHL Incorporated sobre sistemas de control de emisiones según normas Federales y del Estado de California	58

Permita que solamente las personas que comprenden la materia tratada en este manual manejen su cortasetos.

Para obtener el rendimiento y satisfacción máximos del cortasetos STIHL, es importante leer y comprender las instrucciones de mantenimiento y las precauciones de seguridad antes de usarlo.

Comuníquese con el concesionario o distribuidor de STIHL si no se entiende alguna de las instrucciones dadas en el presente manual.

Advertencia

Dado que el cortasetos es una herramienta de corte de gran velocidad, es necesario tomar medidas especiales de seguridad para reducir el riesgo de lesiones.

El uso descuidado o inadecuado puede causar lesiones graves e incluso mortales.

La filosofía de STIHL es mejorar continuamente todos su productos. Como resultado de ello, periódicamente se introducen cambios de diseño y mejoras. Si las características de funcionamiento o la apariencia de su cortasetos difieren de las descritas en este manual, comuníquese con el concesionario STIHL para obtener la información y ayuda que requiera.

STIHL®

Guía para el uso de este manual

Pictogramas

Todos los pictogramas que se encuentran en la máquina se muestran y explican en este manual.

Las instrucciones de uso y manipulación vienen acompañadas de ilustraciones.

Símbolos en el texto

Los pasos individuales o procedimientos descritos en el manual pueden estar señalados en diferentes maneras:

- Paso o procedimiento sin referencia directa a una ilustración.

Descripción del paso o procedimiento que se refiere directamente a la ilustración y contiene los números de referencia que aparecen en la ilustración.
Ejemplo:

Suelte el tornillo **(1)**
Palanca **(2)** ...

Además de las instrucciones de uso, en este manual pueden encontrarse párrafos a los que usted debe prestar atención especial. Tales párrafos están marcados con los símbolos que se describen a continuación:



Advertencia donde existe el riesgo de un accidente o lesiones personales o daños graves a la propiedad.



Advertencia donde existe el riesgo de dañar la máquina o los componentes individuales.



Nota o sugerencia que no es esencial para el uso de la máquina, pero puede ayudar al operador a comprender mejor la situación y mejorar su manera de manejar la máquina.



Nota o sugerencia sobre el procedimiento correcto con el fin de evitar dañar el medio ambiente.

* Equipo y características

Este manual de instrucciones abarca varios modelos con diferentes características. Los componentes que no se encuentran instalados en todos los modelos y las aplicaciones correspondientes están marcados con un *. Esos componentes son ofrecidos como accesorio especiales por el concesionario STIHL.

Mejoramientos técnicos

La filosofía de STIHL es mejorar continuamente todos sus productos. Como resultado de ello, periódicamente se introducen cambios de diseño y mejoras. Si las características de funcionamiento o la apariencia de su máquina difieren de las descritas en este manual, comuníquese con el concesionario STIHL para obtener la ayuda que requiera.

Por lo tanto, no podemos responsabilizarnos por los cambios, modificaciones o mejoramientos que no hayan sido cubiertos en este manual.

Medidas de seguridad



Dado que el cortasetos es una herramienta de corte motorizada que funciona a gran velocidad, es necesario tomar medidas especiales de seguridad para reducir el riesgo de lesiones.



Es importante que usted lea, comprenda bien y respete las siguientes advertencias y medidas de seguridad. Lea el manual del usuario y las instrucciones de seguridad periódicamente.

El uso descuidado o inadecuado de cualquier cortasetos puede causar lesiones graves e incluso mortales.

Pida a su concesionario STIHL que le enseñe el manejo del cortasetos. Respete todas las disposiciones, reglamentos y normas de seguridad locales del caso.

Advertencia

El uso de cualquier cortasetos puede ser peligroso. Si la herramienta de corte llega a tener contacto con parte alguna de su cuerpo, le causará cortaduras.

El choque con objetos extraños tales como piedras, alambres o piezas metálicas puede dañar el accesorio de corte y puede hacer que las cuchillas se agrieten, se piquen o se rompan.

STIHL no recomienda usar los cortasetos en zonas en las cuales la cuchilla pudiera entrar en contacto con tales objetos.

Advertencia

Nunca permita que los niños usen un cortasetos. No se debe permitir la proximidad de otros, especialmente niños y animales, donde se esté utilizando el cortasetos.

El operador es responsable de evitar las lesiones a terceros y los daños a la propiedad.

Nunca deje el cortasetos funcionando sin vigilancia.

Advertencia

No preste ni alquile nunca el cortasetos sin el manual del usuario. Asegúrese que todas las personas que utilicen el cortasetos lean y comprendan la información contenida en este manual.

Las medidas de seguridad y avisos contenidos en este manual se refieren al uso de todos los cortasetos STIHL. Los distintos modelos pueden contar con piezas y controles diferentes. Vea la sección correspondiente de su manual del usuario para tener una descripción de los controles y la función de cada componente de su modelo de cortasetos.

El uso seguro de un cortasetos atañe a

1. el operador
2. el cortasetos
3. el uso del cortasetos.

EL OPERADOR

Condición física

Usted debe estar en buenas condiciones físicas y psíquicas y no encontrarse bajo la influencia de ninguna sustancia (drogas, alcohol, etc.) que le pueda restar visibilidad, destreza o juicio. No maneje el cortasetos cuando está fatigado. Está alerta. Si se cansa durante el manejo del cortasetos, tómese un descanso. El cansancio puede provocar una pérdida del control. El uso de cualquier cortasetos es fatigoso. Si usted padece de alguna dolencia que pueda ser agravada por la fatiga, consulte a su médico antes de utilizar el cortasetos.

Advertencia

El uso prolongado de un cortasetos (u otras máquinas) expone al operador a vibraciones que pueden provocar el fenómeno de Raynaud (dedos blancos) o el síndrome del túnel del carpio. Estas condiciones reducen la capacidad manual de sentir y regular la temperatura, producen entumecimiento y ardor y pueden provocar trastornos nerviosos y circulatorios, así como necrosis de los tejidos.

No se conocen todos los factores que contribuyen a la enfermedad de Raynaud, pero el clima frío, el fumar y las enfermedades o condiciones físicas que afectan los vasos sanguíneos y la circulación de la sangre, como asimismo los niveles altos de vibración y períodos prolongados de exposición a la vibración son mencionados como factores en el desarrollo de la enfermedad de Raynaud. Por lo tanto, para reducir el riesgo de la enfermedad de dedos blancos y del síndrome del túnel del carpio, sírvase notar lo siguiente:

- La mayor parte de las herramientas motorizadas de STIHL se ofrecen con un sistema antivibración ("AV") cuyo propósito es reducir la transmisión de las vibraciones creadas por el motor a las manos del operador. Se recomienda el uso del sistema AV a aquellas personas que utilizan herramientas motorizadas en forma constante y regular.

- Use guantes y mantenga las manos abrigadas.
- Mantenga el sistema AV en buen estado. Un cortasetos con los componentes flojos o con amortiguadores AV dañados o desgastados también tendrá tendencia a tener niveles más altos de vibración.
- Agarre firmemente los mangos en todo momento, pero no los apriete con fuerza constante y excesiva; tómese descansos frecuentes.

Todas las precauciones antes mencionadas no le garantizan que va a estar totalmente protegido contra la enfermedad de Raynaud o el síndrome del túnel del carpio. Por lo tanto, los operadores constantes y regulares deben controlar con frecuencia el estado de sus manos y dedos. Si aparece alguno de los síntomas arriba mencionados, consulte inmediatamente al médico.

Advertencia

El sistema de encendido de la máquina produce un campo electromagnético de intensidad muy baja. El mismo puede interferir con algunos tipos de marcapasos. Para reducir el riesgo de lesiones graves o mortales, las personas portadoras de marcapasos deben consultar a sus médicos y al fabricante del marcapasos antes de usar esta máquina.

Vestimenta adecuada

Advertencia



El uso del cortasetos puede causar lesiones graves a los ojos, oídos y el cuerpo de una persona. Por lo tanto, para reducir el riesgo de lesionarse los

ojos, nunca maneje el cortasetos si no tiene puestas gafas o anteojos de seguridad bien ajustados con una protección adecuada en las partes superior y laterales que satisfagan la norma ANSI Z 87.1 (o la norma nacional correspondiente). Para reducir el riesgo de lesionarse la cara, STIHL recomienda usar también una careta o protector facial adecuado sobre las gafas o anteojos de seguridad.

Advertencia

El ruido del cortasetos puede dañar sus oídos. Siempre use amortiguadores del ruido (tapones u orejeras) para protegerse los oídos. Los usuarios constantes y regulares deben someterse con frecuencia a un examen o control auditivo.



Use vestimenta protectora adecuada. La ropa debe ser de confección fuerte y ajustada, pero no tanto que impida la completa libertad de movimiento. Evite el uso de chaquetas sueltas, bufandas, corbatas, joyas, pantalones acampanados o con vueltas, pelo largo suelto o cualquier cosa que pueda engancharse en las ramas, matorrales o piezas en movimiento de la máquina. Use pantalones largos hechos de un material grueso para protegerse las piernas. No vista pantalones cortos.



Protéjase las manos con guantes al manejar el cortasetos y la herramienta de corte. Los guantes gruesos y antideslizantes mejoran el manejo y ayudan a proteger las manos.



Una buena base de apoyo es indispensable cuando se maneja el cortasetos. Póngase botas gruesas con suela antideslizante. Recomendamos las botas de seguridad con puntera de acero.

Utilice un casco de seguridad aprobado para reducir el riesgo de lesionarse la cabeza en caso de existir tal tipo de peligro.

EL CORTASETOS

Para las ilustraciones y definiciones de las piezas del cortasetos, vea el capítulo "Piezas y controles".

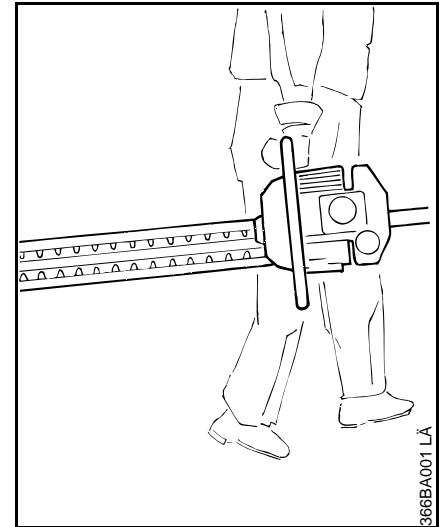
⚠ Advertencia

Nunca modifique, de ninguna manera, un cortasetos. Utilice únicamente los accesorios suministrados por STIHL o expresamente autorizados por STIHL para usarse con los modelos específicos de cortasetos STIHL. Si bien es posible conectar al cortasetos STIHL ciertos accesorios no autorizados, su uso puede ser, en la práctica, extremadamente peligroso.

EL USO DEL CORTASETOS

Transporte del cortasetos

Para reducir el riesgo de sufrir lesiones debido al contacto con las cuchillas, nunca transporte el cortasetos con las cuchillas en marcha. El ajuste correcto de la velocidad de ralentí del motor es importante en cuanto a esto se refiere. Si el carburador está debidamente ajustado, las cuchillas estarán detenidas con el motor a ralentí. Siempre enganche el bloqueo de arranque antes de transportar la máquina (vea el capítulo "Arranque"). El bloqueo de arranque sólo puede engancharse cuando las cuchillas están detenidas.



366BA001 LÄ

El cortasetos puede transportarse únicamente en su posición normal vertical. Sujete el mango delantero y mantenga las cuchillas detrás suyo.

Siempre apague el motor y coloque el protector sobre las cuchillas antes de transportar el cortasetos sobre una distancia considerable.

Cuando se transporte el cortasetos en un vehículo, fíjelo de modo seguro para evitar que la máquina se voltee, que se derrame el combustible o que se dañe el cortasetos.

Preparación para el uso del cortasetos

Advertencia

Siempre revise el cortasetos para comprobar que está en buenas condiciones y que funciona correctamente antes de arrancarlo, en particular el gatillo de aceleración y su bloqueo, el interruptor de parada, la herramienta de corte y el bloqueo de arranque. El gatillo de aceleración debe moverse libremente y siempre debe retornar a la posición de ralentí por la acción de resorte. La herramienta de corte debe estar debidamente apretada y en condiciones de funcionamiento seguro. Busque piezas sueltas (tuercas, tornillos, etc.) y cuchillas agrietadas, dobladas, deformadas o dañadas. Revise periódicamente la condición y el apriete de las cuchillas - ¡con el motor apagado! Repare las cuchillas dañadas antes de usar el cortasetos. Mantenga las cuchillas siempre afiladas. Mantenga los mangos limpios y secos en todo momento; es particularmente importante mantenerlos libres de aceite y resinas para garantizar que la máquina pueda empuñarse firmemente para mantenerla bajo control seguro.

Advertencia

El retirar dispositivos de seguridad puede causar lesiones graves.

Siempre rocíe las cuchillas con el disolvente de resina STIHL antes de empezar a trabajar - ¡con el motor apagado! Este producto protector puede obtenerse a través del concesionario. Aplique cantidades abundantes.

Llenado de combustible

El cortasetos STIHL utiliza una mezcla de aceite-gasolina como combustible (vea el capítulo "Combustible" en el manual del usuario).

Advertencia



La gasolina es un combustible muy inflamable. Si se derrama y arde a causa de una chispa u otra fuente de ignición, puede provocar un incendio y quemaduras graves o daños a la propiedad. Tenga sumo cuidado cuando manipule gasolina o la mezcla de combustible. No fume cerca del combustible, ni acerque ningún fuego o llama al mismo.

Instrucciones para el llenado de combustible

Llene el cortasetos con combustible en lugares al aire libre bien ventilados.

Advertencia

Dependiendo del combustible utilizado, de las condiciones climáticas y del sistema de ventilación del tanque, es posible que se forme vapor de gasolina a presión dentro del tanque de gasolina de los motores de dos tiempos. Para reducir el riesgo de quemaduras, así como otras lesiones corporales ocasionadas por los escapes de vapor de gasolina y otras emanaciones, quite la tapa de llenado de combustible de la máquina cuidadosamente de modo que la presión que se pueda haber acumulado en el tanque se disipe lentamente. Nunca quite la tapa de llenado de combustible mientras el motor está funcionando. Elija una superficie despejada para llenar el tanque y aléjese 3 m (10 pies) por lo menos del lugar en que lo haya llenado antes de arrancar el motor.

Limpie los derrames de combustible antes de arrancar el cortasetos y compruebe que no existen fugas.

Compruebe que no existan fugas de combustible mientras llena el tanque y durante el funcionamiento de la máquina. Si detecta alguna fuga de combustible, no arranque el motor ni lo haga funcionar sin antes reparar la fuga y limpiar el combustible derramado.

Tenga cuidado de no mancharse la ropa con combustible. Si la mancha, cámbiesela inmediatamente. Nunca intente llenar con combustible una máquina cuyo motor esté en marcha o caliente.

Advertencia



Las vibraciones de la máquina pueden aflojar una tapa de combustible que ha quedado mal apretada, o simplemente soltarla y derramar combustible.

Para reducir el riesgo de derrames e incendio, apriete la tapa de combustible a mano con la mayor fuerza posible.

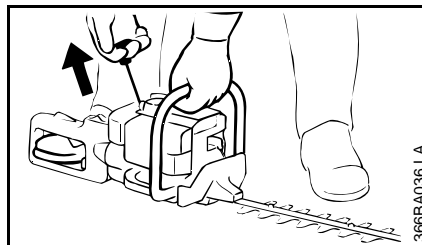
Arranque

Advertencia

Su cortasetos es una máquina que debe ser manejada por solamente una persona. Ponga en marcha y maneje el cortasetos sin ayuda de nadie.

Advertencia

Para reducir el riesgo de sufrir lesiones causadas por el contacto con las cuchillas, no intente arrancar el motor del cortasetos "por lanzamiento". Para las instrucciones específicas de arranque, vea la sección correspondiente en el manual del usuario.



Coloque el cortasetos sobre suelo firme u otra superficie dura en una zona despejada. Mantenga buen equilibrio con los pies bien apoyados. Siempre aplique el bloqueo de arranque antes de arrancar el motor para reducir el riesgo de las lesiones causadas por el contacto con las cuchillas o por la pérdida del control. Al arrancar el motor con el acelerador en posición de arranque, su velocidad será suficiente para conectar el embrague y mover la herramienta de corte. Cuando tire del mango de arranque, no enrolle la cuerda de arranque alrededor de la mano. No deje que el mango vuelva por sí solo a su posición original, sino guíe lentamente la cuerda para que se enrolle correctamente.

Si no ejecuta este procedimiento puede lastimarse la mano o los dedos y también dañar el mecanismo de arranque.

Condiciones de trabajo

Advertencia

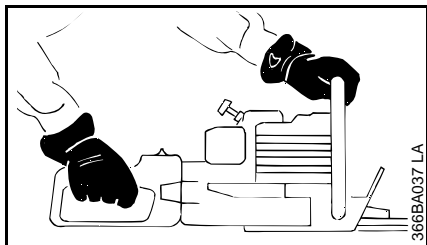


Para reducir el riesgo de lesiones causadas por la inhalación de vapores tóxicos, arranque y use el cortasetos únicamente en lugares abiertos y bien ventilados.

Sujete el cortasetos en una posición tal que no se respiren los vapores de escape. Maneje el cortasetos solamente en condiciones de buena visibilidad y a la luz del día. Trabaje con mucho cuidado. Tenga cuidado especial sobre superficies resbaladizas y sobre pendientes. Tenga cuidado sobre suelo irregular. Esté atento a la presencia de tocones, raíces, zanjas u agujeros que pudieran hacerle tropezar y caer. Antes de empezar a trabajar, examine la zona alrededor del seto en busca de piedras, alambres, piezas metálicas u otros objetos macizos que pudieran dañar las cuchillas.

Instrucciones de manejo

No corte ningún tipo de material que no sea setos y arbustos. Las herramientas de corte pueden usarse solamente para las operaciones descritas en su manual.



⚠ Advertencia

Para reducir el riesgo de sufrir lesiones debido a la pérdida del control del cortasetos, siempre trabaje sujetándolo firmemente con las dos manos. La mano derecha debe sujetar el mango trasero. Esto también corresponde a personas zurdas. Cierre firmemente los dedos sobre los mangos delantero y trasero.

⚠ Advertencia

Nunca intente manejar el cortasetos con una sola mano. La pérdida del control del cortasetos puede causar lesiones graves o mortales.

Verifique que sus pies estén debidamente apoyados en la superficie. Trabaje siempre con calma y cuidadosamente; esté atento para no poner en peligro a terceros.

Cuando se trabaje cerca del suelo, compruebe que no entre arena, grava o piedras entre las cuchillas de corte.

Si las cuchillas de corte se atascan al cortar ramas gruesas u otros objetos, apague el motor de inmediato antes de intentar liberarlas.

⚠ Advertencia

Para reducir el riesgo de lesiones causadas por la pérdida del control, nunca trabaje sobre una escalera, un árbol o cualquier otra superficie de soporte poco seguro. Nunca use el cortasetos por encima de la altura de sus hombros ni con una sola mano.

⚠ Advertencia

Las cuchillas tienden a seguir en marcha por un período breve después de haber soltado el gatillo de aceleración (efecto de volante).

Ajustes importantes

⚠ Advertencia

Para reducir el riesgo de lesiones personales debido a la pérdida de control o al contacto con las cuchillas en movimiento, no use un cortasetos cuya velocidad de ralentí está mal regulada.

Cuando el ralentí está correctamente regulado, las cuchillas no deben moverse. Para instrucciones cómo ajustar el ralentí, vea la sección correspondiente en el manual del usuario. Si no puede regular correctamente el ralentí, pida a su concesionario STIHL que revise el cortasetos y haga los ajustes o reparaciones correspondientes.

MANTENIMIENTO, REPARACION Y ALMACENAMIENTO

Los trabajos de mantenimiento, reemplazo o reparación de los dispositivos y sistemas de control de emisiones de escape pueden ser realizados por cualquier taller o técnico de motores no diseñados para vehículos. Sin embargo, si usted está reclamando servicio de garantía para algún componente que no ha sido reparado o mantenido debidamente, o cuando se utilizan repuestos no autorizados, STIHL puede denegar la garantía.

Utilice solamente piezas de repuesto de STIHL para el mantenimiento y reparación. La utilización de piezas fabricadas por otras empresas puede causar lesiones graves o mortales.

Siga las instrucciones de mantenimiento y reparación dadas en la sección correspondiente del manual del usuario. Consulte la tabla de mantenimiento en las últimas páginas de este manual.

⚠ Advertencia

Siempre apague el motor y asegúrese que la herramienta de corte esté detenida antes de efectuar algún trabajo de mantenimiento, reparación o limpieza en el cortasetos. No intente hacer ningún trabajo de mantenimiento o reparación que no esté descrito en su manual del usuario. Este tipo de trabajo debe realizarse únicamente en el taller de servicio de STIHL.

⚠ Advertencia

Nunca repare los accesorios de corte dañados aplicándoles soldadura, enderezándolos o modificándoles su forma. Esto puede causar el desprendimiento de alguna pieza de la herramienta de corte y producir lesiones graves o mortales.

Revise la condición de la herramienta de corte en intervalos cortos regulares. Si nota algún cambio en el comportamiento de la herramienta, revise inmediatamente el apriete y busque señales de agrietamiento. Sustituya las herramientas de corte dañadas o desafiladas inmediatamente, incluso si tienen sólo alguna grieta superficial.

⚠ Advertencia

No pruebe nunca el sistema de encendido con el cable de encendido desconectado de la bujía, o sin tener bien instalada la bujía, ya que las chispas al descubierto pueden causar un incendio. Para reducir el riesgo de incendio y de quemaduras, utilice solamente las bujías autorizadas por STIHL. Siempre inserte el manguito de la bujía bien apretado en el borne de la bujía del tamaño adecuado. (Nota: Si el borne tiene una tuerca adaptadora SAE desmontable, tiene que ser instalada.) Una conexión suelta entre el borne de la bujía y el conector del cable de encendido en el manguito puede crear un arco voltaico y encender los vapores del combustible y provocar un incendio. Mantenga la bujía limpia, y asegúrese que el conductor de encendido esté en buen estado.

⚠ Advertencia

Para reducir el riesgo de incendio, revise si hay fugas en la tapa de llenado de combustible en intervalos regulares.

Siempre limpie el polvo y la tierra de la máquina después de haber terminado los trabajos. ¡No use disolvente de grasas para limpiar! Se tiene disponible una lata de aerosol de disolvente de resina (aerosol protector), N° de pieza 0782 420 1002, para rociar las cuchillas. El disolvente de resina protege las cuchillas y tiene propiedades anticorrosivas. Rocíe las cuchillas antes y después del trabajo. Después ponga en marcha el cortasetos y déjelo funcionar brevemente para que el disolvente se distribuya uniformemente por las cuchillas. Si el seto está muy polvoriento y sucio, rocíe las cuchillas más frecuentemente. Esto reduce enormemente la fricción de las cuchillas y los efectos dañinos de savia y partículas de polvo.

⚠ Advertencia

No maneje nunca el cortasetos si el silenciador está dañado, se ha perdido o si fue modificado. Un silenciador mal cuidado aumenta el riesgo de incendio y pérdida del oído. No toque nunca un silenciador caliente, puede quemarse. Si el silenciador está equipado con un chispero para reducir el riesgo de incendio (por ejemplo, en EE.UU., Canadá y Australia), no maneje nunca el cortasetos si le falta el chispero o si el mismo está dañado. Recuerde que el riesgo de incendios forestales es mayor durante las estaciones calurosas y secas. Mantenga el motor y el silenciador libre de recortes, virutas, hojas, fibras y lubricante sobrante.

Uso de la máquina

Advertencia

Para reducir el riesgo de incendios, no modifique ni retire parte alguna del silenciador ni del chispero. Mantenga la herramienta de corte bien afilada.

Apriete todas las tuercas, pernos y tornillos, excepto los tornillos de ajuste del carburador, después de cada uso. Mantenga apretadas y limpias tanto la bujía como la conexión de su alambre. Revise la separación entre electrodos de la bujía con un calibrador de espesores por lo menos cada 50 horas de funcionamiento y ajústela de ser necesario. Instale una bujía nueva si sus electrodos están muy picados.

Para todo trabajo de mantenimiento, sírvase consultar la tabla de mantenimiento y **la declaración de garantía** que se encuentra al final de este manual.

Guarde el cortasetos en un lugar seco, elevado o con llave, fuera del alcance de los niños. Antes de guardarla durante un período de más de algunos días, siempre vacíe el tanque de combustible.

Temporada de corte

Respete todas las leyes y reglamentos nacionales y de su localidad en cuanto al corte de setos.



No utilice el cortasetos durante los períodos de reposo de otras personas.

Preparaciones



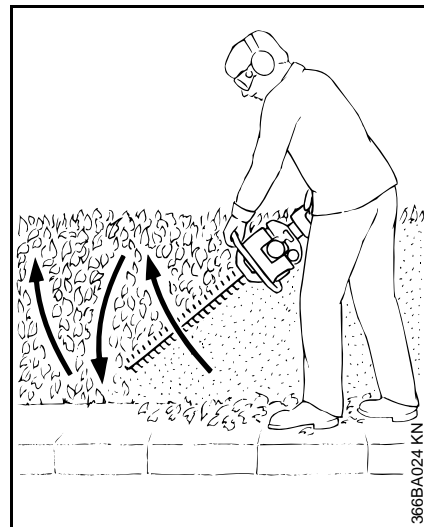
Antes de empezar a trabajar, ahuyente a los animales pequeños de la zona para evitar lesionarlos.

Utilice tijeras para cortar las ramas gruesas primero.

Secuencia de corte

Si es necesario hacer un corte radical, corte poco a poco haciendo varias pasadas.

Corte ambos lados del seto primero, y después la parte superior.

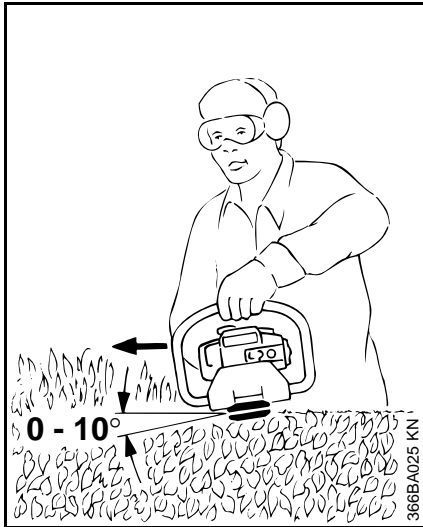


Técnicas de corte

Corte vertical:

Gire la cuchilla de corte hacia arriba y hacia abajo describiendo un arco al cortar el seto - utilice ambos lados de la cuchilla de corte.

Combustible



Corte horizontal:

Sujete la cuchilla de corte a un ángulo de 0° a 10° al desplazar el cortasetos en sentido horizontal.

Desplace la cuchilla describiendo un arco hacia el exterior del seto, de modo que los trozos cortados caigan al suelo.



No tire los recortes al basurero - pueden usarse para abono.

Este motor está certificado para funcionar con una mezcla de 50 a 1 de gasolina sin plomo y aceite STIHL para motores de dos tiempos.

Su motor de dos tiempos requiere una mezcla de gasolina de calidad y aceite de calidad para motores de dos tiempos enfriados por aire.

Use gasolina sin plomo regular con un octanaje mínimo de 89 (R+M/2). Si el octanaje de la gasolina regular en su zona es más bajo, use combustible sin plomo superior.

El combustible de octanaje bajo puede aumentar la temperatura de funcionamiento del motor. Esto, a su vez, aumenta el riesgo de que se agarrote el pistón y se dañe el motor.

La composición química del combustible también es importante. Algunos aditivos de combustible no solamente tienen efectos perjudiciales en los elastómeros (diafragmas de carburador, sellos de aceite, tuberías de combustible, etc.), sino también en las piezas fundidas de magnesio y en los convertidores catalíticos. Esto podría causar problemas de funcionamiento e incluso daño del motor. Por esta razón, STIHL recomienda el uso exclusivo de gasolina sin plomo de buena calidad.

Use solamente el aceite STIHL para motores de dos tiempos o un aceite de marca equivalente para motores de dos tiempos diseñado para usar exclusivamente con los motores de dos tiempos enfriados por aire.

Recomendamos el aceite STIHL para motores de dos tiempos 50:1 pues está especialmente formulado para usarse en motores STIHL.

No use aceites para mezclar con designaciones BIA o TCW (para motores de dos tiempos enfriados por agua) ni otros aceites para mezclar diseñados para usar en motores enfriados por agua o por aire (por ejemplo, para motores marinos fuera de borda, motonieves, sierras de cadenas, bicimotos, etc.).

Manipule la gasolina con sumo cuidado. Evite el contacto directo con la piel y evite inhalar los vapores de combustible. Cuando se reabastece de combustible, quite primero el envase del vehículo y colóquelo en el suelo antes de llenarlo. No llene un envase que está en un vehículo o apoyado sobre el mismo.

Mantenga el envase bien cerrado para evitar la entrada de humedad a la mezcla.

Según sea necesario, limpie el tanque de combustible de la máquina y el envase en que se guarda la mezcla de combustible.

Llenado de combustible



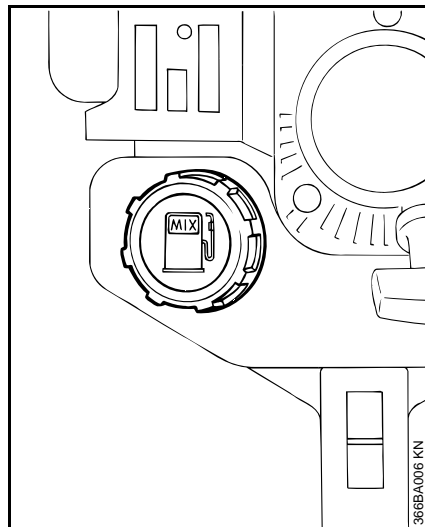
Duración de la mezcla de combustible

Mezcle una cantidad suficiente de combustible para trabajar unos pocos días, no lo guarde por más de 3 meses. Guárdelo únicamente en envases aprobados para combustible. Para el proceso de mezclado, vierta el aceite en el envase primero y luego agregue la gasolina. Cierre el envase y agítelo vigorosamente a mano para asegurar que se mezclen bien el aceite y la gasolina.

Gasolina Aceite (STIHL 50:1 ó aceite de calidad equivalente)

gal EE.UU.	oz fl EE.UU.
1	2.6
2 1/2	6.4
5	12.8

Deseche los envases vacíos usados para mezclar el aceite únicamente en vertederos autorizados para ello.

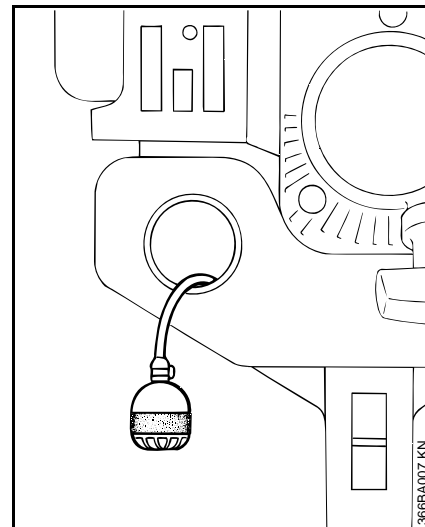


Antes de llenar la máquina con combustible, limpie a fondo la tapa de llenado y la zona alrededor del mismo para evitar la entrada de tierra al tanque.

Siempre agite la mezcla vigorosamente en el recipiente antes de llenar la máquina con combustible.

⚠ Para reducir el riesgo de quemaduras, así como otras lesiones corporales ocasionadas por los escapes de vapor de gasolina y otras emanaciones, quite la tapa de llenado de combustible cuidadosamente de modo que la presión que se pueda haber acumulado en el tanque se disipe lentamente.

⚠ Después de haber llenado la máquina con combustible, apriete la tapa del tanque **tan firmemente como sea posible** con la mano.

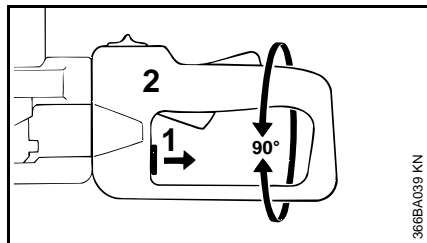


Cambie el recogedor de combustible una vez al año.

Antes de almacenar la máquina por un período prolongado, vacíe y limpie el tanque de combustible y ponga el motor en marcha hasta que se seque el combustible del carburador.

Mango trasero

(solamente HS 80)



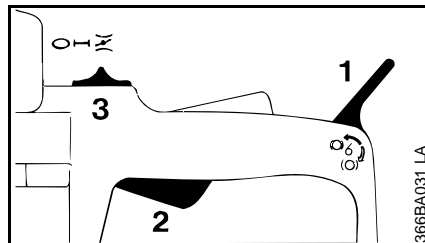
Es posible girar el mango trasero 90° a la izquierda o derecha para mejor control y comodidad.

Suelte el gatillo de aceleración - No abra el acelerador

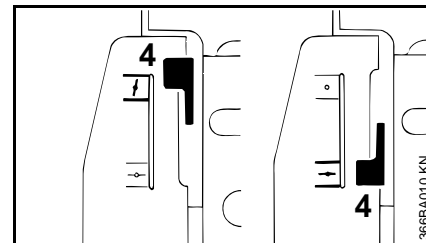
- Suelte el bloqueo giratorio (1). Gire el mango (2) según se requiera y deje que el bloqueo giratorio encaje en su lugar.
- Asegúrese que el mango esté bloqueado antes de abrir el acelerador.

No accione el acelerador con el bloqueo giratorio suelto. No suelte el bloqueo giratorio mientras está accionando el acelerador.

Arranque / parada del motor



- Respete las medidas de seguridad.
- Mueva la palanca de bloqueo de la cuchilla (1) a O.
- Oprima el gatillo de aceleración (2) y mueva el control deslizante (3) a }| al mismo tiempo.
- Suelte el gatillo de aceleración.
- Suelte el control deslizante. Esta es la **posición de arranque del acelerador**.

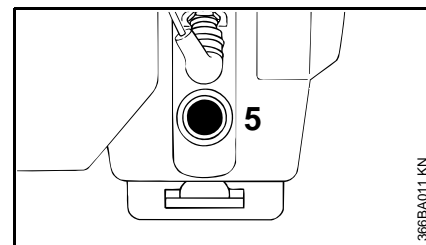


- Coloque la palanca del estrangulador (4):

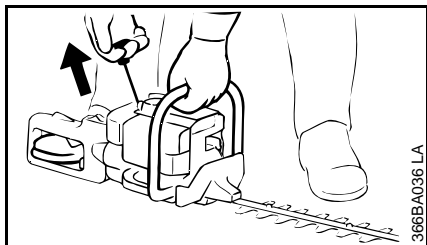
Para arranque **en frío** en I

Para arranque **caliente** en II

También utilice esta posición si el motor ha estado en marcha, pero todavía se encuentra frío.



- Oprima el bulbo de la bomba de combustible (5) por lo menos cinco veces.



- Apoye la máquina en el suelo con el arrancador de cuerda vuelto hacia arriba. Asegúrese que esté bien sujeto.
- Antes de arrancar el motor, saque la funda de la cuchilla.
- Asegúrese de tener los pies bien apoyados: Agarre la máquina con la mano izquierda en el mango delantero y empujela **firmemente** hacia abajo.
- Con la mano derecha tire lentamente de la cuerda de arranque hasta que sienta una resistencia definitiva y en seguida dele un tirón fuerte y rápido. No tire de la cuerda de arranque totalmente hasta afuera, se podría cortar.
- No deje que el mango de arranque retroceda bruscamente; guíelo lentamente hacia el interior de la caja de modo que la cuerda se enrolle debidamente.

Cuando el motor empieza a encenderse:

- Mueva la palanca del estrangulador a **I** y continúe intentando el arranque del motor.
Tan pronto arranque, accione momentáneamente el gatillo de aceleración, el control deslizante se mueve a la posición de marcha **I** y el motor funciona a ralentí.
- Mueva la palanca de bloqueo de la cuchilla a **O**.

Para apagar el motor:

- Mueva el control deslizante a la posición **O**.

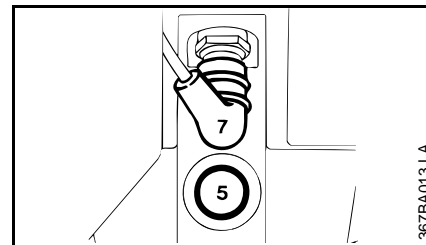
A temperaturas ambiente muy bajas:

Tan pronto arranque:

- Oprima el gatillo de aceleración momentáneamente - el control deslizante se desplaza a la posición de marcha **I**, y el motor retorna a aceleración de ralentí.
- Abra parcialmente el acelerador y deje que el motor se caliente por un tiempo corto.

Si el motor no arranca:

Si no se mueve la palanca del estrangulador a **I** en un tiempo suficientemente corto después que el motor ha empezado a encenderse, la cámara de combustión se encuentra "ahogada".



- Quite el casquillo de la bujía (**7**).
- Destornille y seque la bujía.
- Mueva el control deslizante a la posición **O**.
- Abra el acelerador al máximo.
- Haga girar el motor varias veces con el arrancador para despejar la cámara de combustión.
- Vuelva a instalar la bujía.
- Conecte el casquillo de la bujía (empújelo firmemente).
- Mueva el control deslizante a **I**
- Ponga la palanca del estrangulador en **I** aunque el motor esté frío.
- Ahora arranque el motor.

Se ha dejado que se agote el combustible y se ha vuelto a llenar:

- Oprima el bulbo de la bomba de combustible (**5**) por lo menos cinco veces.
- Ahora arranque el motor.

Instrucciones de manejo

Durante el período de rodaje

Una máquina nueva no debe hacerse funcionar a velocidad alta (aceleración máxima sin carga) por el lapso que tome llenar el tanque tres veces. Esto evita la imposición de cargas innecesariamente altas durante el período de rodaje. Puesto que todas las piezas móviles necesitan un período de rodaje, las resistencias causadas por la fricción en el motor son mayores durante este período. El motor desarrolla su potencia máxima después de haber llenado el tanque de 5 a 15 veces.

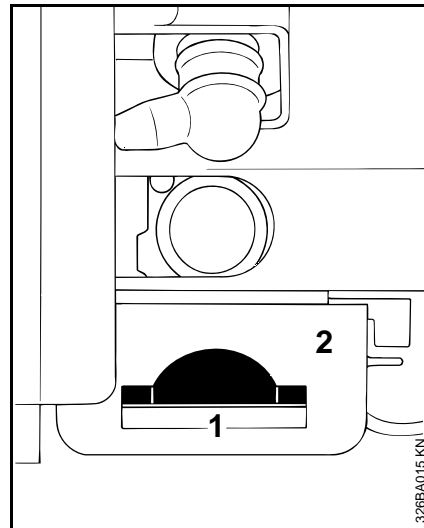
Durante el funcionamiento

Después de un período largo de funcionamiento con el acelerador a fondo, deje funcionar el motor por un rato en ralentí de modo que el calor en el motor sea disipado por la corriente de aire de enfriamiento. Esto ayuda a evitar que los componentes montados en el motor (encendido, carburador) sufran sobrecargas térmicas.

Después de terminar el trabajo

Espere que el motor se enfríe. Vacíe el tanque de combustible. Almacene la máquina en un lugar seco. Revise el apriete de las tuercas y tornillos (no los tornillos de ajuste) periódicamente y vuelva a apretar según sea necesario.

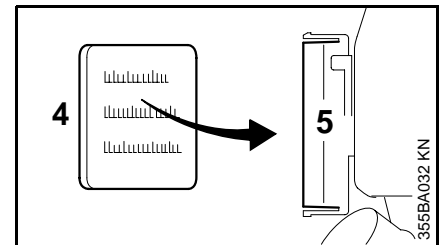
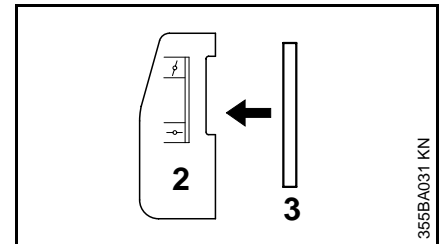
Limpieza del filtro de aire



Los filtros de aire sucios reducen la potencia del motor, aumentan el consumo de combustible y dificultan el arranque del motor.

Si se nota una pérdida considerable de la potencia del motor

- Ponga la palanca del estrangulador en
- Oprima la lengüeta (1).
- Levante cuidadosamente la cubierta (2) del filtro encima de la lengüeta y quítela.
- Limpie toda la suciedad de alrededor del filtro.
- Retire los elementos de espuma y de fieltro del filtro.



- Lave el elemento de espuma en una solución limpiadora limpia y no inflamable (por ejemplo, agua jabonosa tibia) y séquelo.
- Coloque un elemento de fieltro nuevo. Como una medida provisoria, es posible limpiarlo golpeándolo en la palma de la mano o soprándolo con aire comprimido. **No** lo lave.

Siempre sustituya las piezas dañadas.

- Coloque el elemento de espuma (3) en la cubierta (2) del filtro.
- Coloque el elemento de fieltro (4) (las marcas orientadas hacia adentro) en la caja del filtro (5).
- Coloque la tapa del filtro de modo que se trabé en su lugar.

Manejo del motor

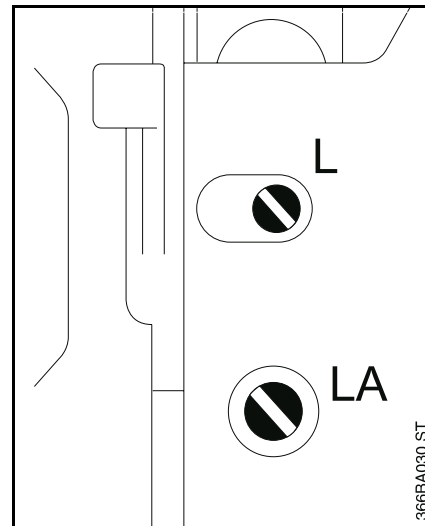
Las emisiones de gases de escape son controladas por el diseño de parámetros y componentes fundamentales del motor (por ej. carburación, encendido, regulación y regulación de la válvula o lumbrera) sin la adición de ningún equipo importante.

Ajuste del carburador

El carburador no tiene un tornillo de ajuste de velocidad alta (tornillo H). No es necesario ajustar la velocidad máxima del motor.

El carburador es ajustado en fábrica para garantizar que la mezcla de combustible/aire sea óptima bajo la mayoría de las condiciones de trabajo.

La limitación de la mezcla de ralentí reduce al mínimo las emisiones producidas durante períodos de funcionamiento en ralentí y con cargas parciales.



- Inspeccione las cuchillas de corte y límpielas de ser necesario (deben estar limpias, moverse libremente y no estar deformadas o combadas).
- Revise el filtro de aire y límpielo de ser necesario.
- Caliente el motor.
- Atornille el tornillo de velocidad baja (**L**) hasta que tope en su asiento. Después aflójelo **una** vuelta en sentido contrahorario (ajuste estándar, **L = 1**).

Chispero en silenciador

Ajuste de ralentí

El motor se para durante el funcionamiento a ralentí:

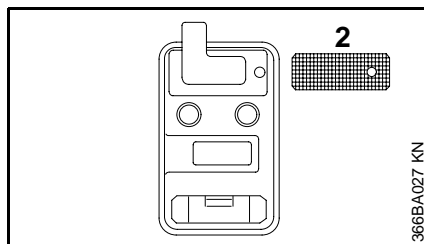
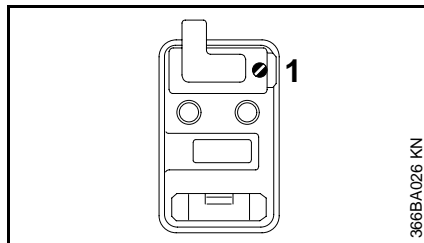
Revise el ajuste estándar.
(El tornillo **L** debe estar destornillado una vuelta)

- Gire el tornillo de ralentí (**LA**) lentamente en sentido horario hasta que las cuchillas de corte empiecen a funcionar y luego gírelo media vuelta en sentido contrario.

Las cuchillas de corte funcionan con el motor a ralentí:

Revise el ajuste estándar.
(El tornillo **L** debe estar destornillado una vuelta)

- Gire el tornillo de ralentí (**LA**) lentamente en sentido contrahorario hasta que las cuchillas de corte dejen de funcionar con el motor a ralentí y luego gire el tornillo aproximadamente otra media vuelta en el mismo sentido.



- Limpie el chispero, de ser necesario.
- Si el chispero está dañado u obstruido, instale uno nuevo.
- Vuelva a instalar el chispero.
- Instale la cubierta.

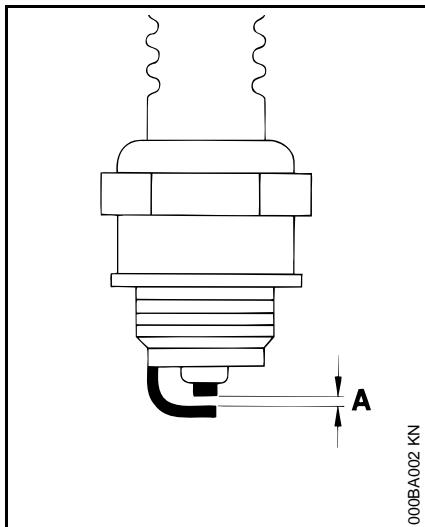
Si el motor pierde potencia, revise el chispero dentro del silenciador.

⚠ Espere a que el motor se enfríe por completo antes de efectuar este trabajo.

- Quite la cubierta.
Saque el tornillo **(1)**.
- Quite el chispero* **(2)**.

* vea "Guía para el uso de este manual"

Revisión de la bujía



La mezcla de combustible incorrecta (demasiado aceite de motor en la gasolina), el filtro de aire sucio y condiciones de funcionamiento desfavorables (generalmente a media aceleración, etc.) afectan la condición de la bujía. Estos factores causan la formación de depósitos en la punta del aislador lo que puede dificultar el funcionamiento.

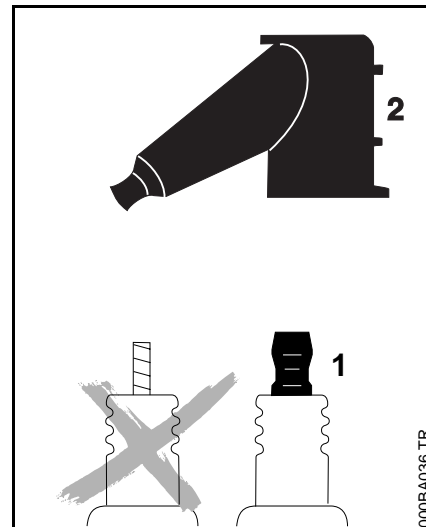
Si el motor tiene poca potencia, le cuesta arrancar o funciona deficientemente a velocidad de ralentí, primero revise la bujía.

- Saque la bujía – vea „Arranque / parada del motor“.
- Limpie la bujía sucia.
- Mida la separación entre electrodos de la bujía (A). Vuelva a ajustar si es necesario. Vea “Especificaciones”.
- Use únicamente bujías de tipo resistencia de capacidad aprobada.

Corrija la causa de la suciedad de la bujía:

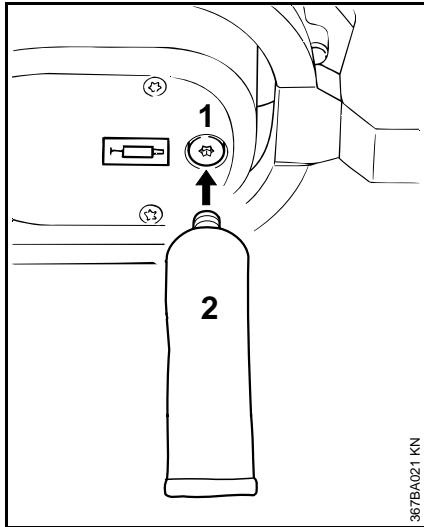
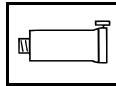
- Demasiado aceite en la mezcla de combustible.
- Filtro de aire sucio.
- Condiciones de funcionamiento desfavorables, por ej., funcionamiento a media aceleración.

Coloque una bujía nueva después de 100 horas de funcionamiento, aproximadamente, o más temprano si nota que los electrodos están muy desgastados.



⚠ Para reducir el riesgo de incendios y lesiones por quemadura, use solamente bujías autorizadas por STIHL. Siempre encaje un casquillo (2) del tamaño correcto bien ajustado en el borne (1) de la bujía. (Nota: Si el borne tiene una tuerca adaptadora SAE desprendible, colóquela.) Una conexión suelta entre el casquillo de la bujía y el conector del alambre de encendido puede formar un arco eléctrico, inflamar los vapores combustibles y finalmente causar un incendio.

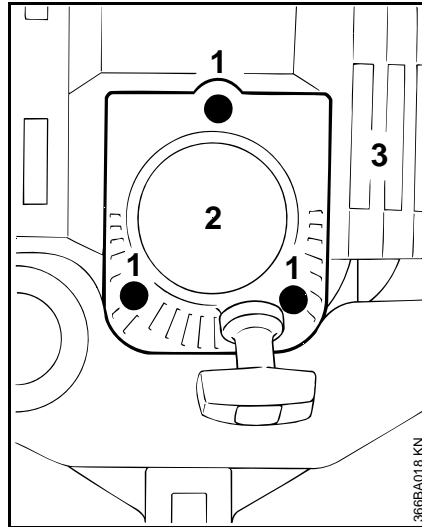
Lubricación de la caja de engranajes



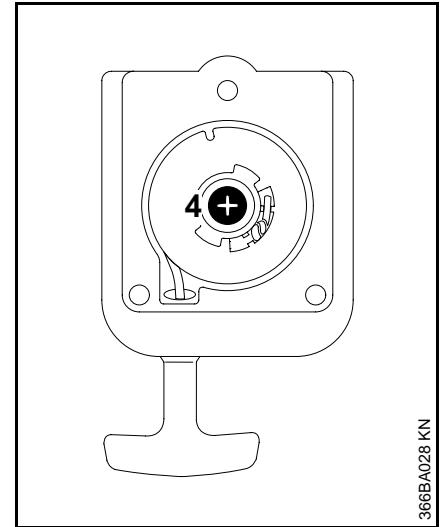
Para lubricar el engranaje impulsor de la cuchilla use lubricante para engranajes STIHL especial para cortasetos (vea Especificaciones), aproximadamente cada 25 horas de funcionamiento.

- Destornille el tapón (1) de la caja de engranajes.
- Atornille el tubo de grasa (2) en el agujero de llenado.
- Enrolle el extremo del tubo hasta la división siguiente en la escala. Esto fuerza alrededor de 3/4 oz (20 g) de grasa al interior de la caja de engranajes.
- Vuelva a colocar el tapón y apriételo firmemente.

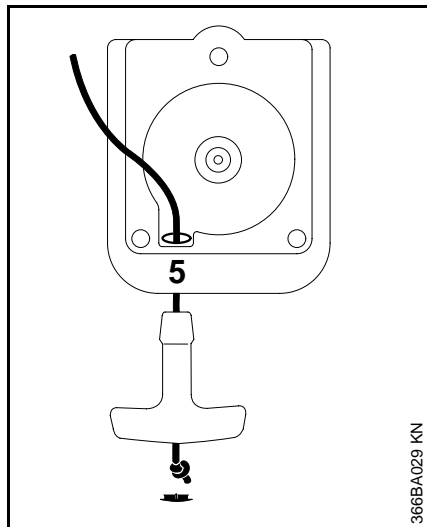
Sustitución de la cuerda de arranque y resorte de rebobinado



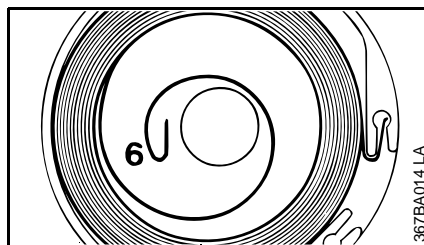
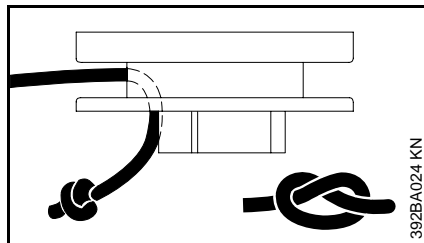
- Saque los tornillos (1).
- Quite la tapa del arrancador (2) del motor (3).



- Saque el tornillo (4).
- Retire el rotor de la cuerda con mucho cuidado. El resorte de rebobinado está alojado en el rotor y puede saltar, desenrollarse y causar lesiones si no se procede con cuidado.



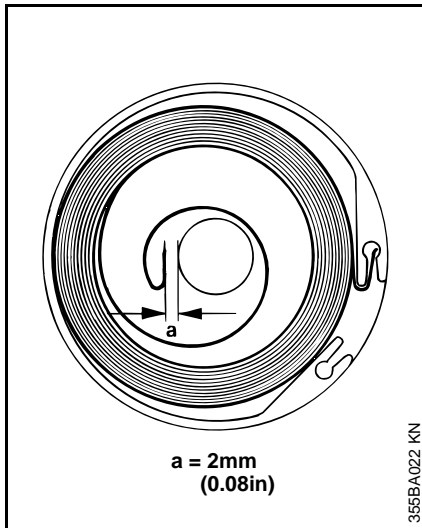
- Utilice un destornillador para quitar la tapa del mango de la cuerda de arranque.
- Retire la cuerda restante del rotor y del mango, asegurándose de evitar que el manguito ElastoStart se salga del mango.
- Haga un nudo de rizo sencillo en el extremo de la cuerda de arranque nueva (vea "Especificaciones") y después pase la cuerda por la parte superior del mango y por el buje de la cuerda (5).
- Vuelva a instalar la tapa en el mango.



- Tire de la cuerda a través del rotor y fijela con un nudo de rizo simple.
- Lubrique la cavidad del rotor de la cuerda con aceite sin resina.
- Empuje el rotor en el poste del arrancador – gírelo hacia uno y otro lado hasta que la espiral (6) del resorte de rebobinado se enganche.
- Inserte el tornillo y apriételo bien firme. Pase a "Tensado del resorte de rebobinado".

Sustitución del resorte de rebobinado roto

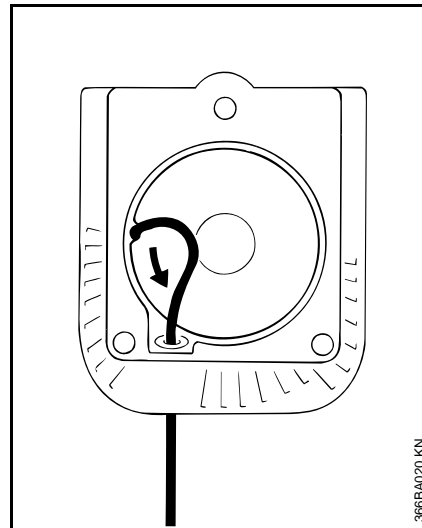
- Lubrique el resorte nuevo con unas pocas gotas de aceite sin resina. No abra el retenedor de alambre.
- Quite el rotor de la cuerda.
- Quite las piezas del resorte viejo.
- Instale el resorte nuevo – coloque la espiral exterior del resorte en la hendidura – el alambre retenedor se suelta durante este proceso.



Si el resorte se sale:

Colóquelo nuevamente en sentido contrario, empezando desde el exterior y avanzando hacia adentro.

- Instale el rotor de la cuerda.
- Compruebe la dimensión “a” en la espiral interior del resorte y dóblela para ajustarla al tamaño correcto, de ser necesario.
- Pase a "Tensado del resorte de rebobinado".



Tensado del resorte de rebobinado

- Forme un bucle con la cuerda de arranque sin envolver y utilícelo para girar el rotor seis revoluciones completas en sentido contrario.
- Sujete el rotor inmóvil – enderece la cuerda si se retuerce.
- Suelte el rotor.
- Suelte lentamente la cuerda para que se enrolle en el rotor.

El mango de arranque debe quedar firmemente sentado en el buje guía de la cuerda.

Si el mango cae hacia un lado:

Dele una vuelta adicional al rotor de la cuerda para aumentar la tensión del resorte.

- Cuando la cuerda de arranque se extiende completamente, debe ser posible girar el rotor media vuelta adicional. En caso contrario, el resorte está sobretensado y podría romperse. Quítele una vuelta de la cuerda al rotor.
- Instale la tapa del arrancador.

Almacenamiento de la máquina

Para intervalos de 3 meses o más

- Vacíe y limpie el tanque de combustible en una zona bien ventilada.
- Haga funcionar el motor hasta que el carburador se seque - esto ayuda a evitar que los diafragmas del carburador se peguen.
- Limpie las cuchillas, revise la condición de las mismas y rocíelas con el disolvente de resina STIHL.
- Limpie la máquina a fondo - preste atención especial a las aletas del cilindro y al filtro de aire.

Guarde la máquina en un lugar seco y elevado, o bajo llave - fuera del alcance de los niños y de otras personas no autorizadas.

Instrucciones de afilado

Las cuchillas se deben volver a afilar si el rendimiento del corte y el comportamiento comienzan a deteriorar (por ejemplo, si las cuchillas se enganchan frecuentemente en las ramas).

Es mejor que las cuchillas las afile el concesionario STIHL en un afilador de taller.

También es posible usar una lima plana de corte diagonal para afilar. Sostenga la lima al ángulo indicado (vea las "Especificaciones").

- Siempre desplace la lima hacia el filo.
- La lima afila únicamente en la pasada de ida – quite la lima de la cuchilla para la pasada de retorno.
- Utilice una piedra de amolar para quitar las rebabas del filo.
- Quite la menor cantidad posible de material.
- Después del afilado, limpie las partículas y polvo de las cuchillas de corte y lubríquelas con grasa.



No utilice la máquina con cuchillas romas o dañadas.

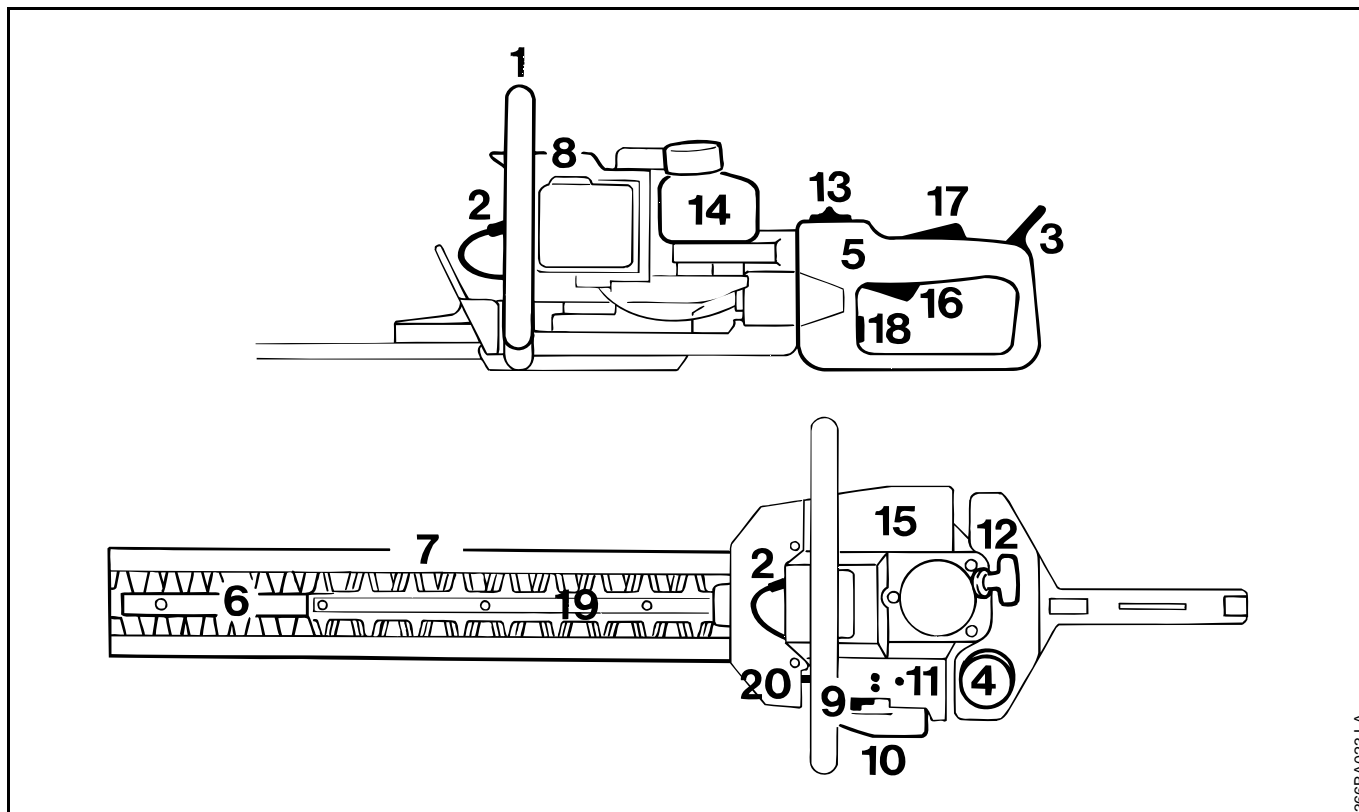
Esto puede causar sobrecargas y produce cortes insatisfactorios.

Tabla de mantenimiento

Sírvese notar que los intervalos de mantenimiento siguientes son aplicables en condiciones normales de funcionamiento. Si su jornada diaria es más larga que lo normal o las condiciones de corte son difíciles, acorte los intervalos especificados de acuerdo a ello.		antes de empezar a trabajar	al terminar el trabajo, o diariamente	después de llenar con combustible	semanalmente	mensualmente	cada 12 meses	si hay problema	si tiene daños	según se requiera
Máquina completa	Inspección visual (condición general, fugas)	X		X						
	Limpiar		X							
Mango de control	Comprobar funcionamiento	X		X						
Filtro de aire	Limpiar							X		X
	Reemplazar								X	
Filtro en tanque de combustible	Revisar*							X		
	Reemplazar*						X		X	X
Tanque de combustible	Limpiar							X		X
Carburador	Revisar velocidad de ralentí	X		X						
	Ajustar el ralentí									X
Bujía	Ajustar la distancia entre electrodos							X		
Conducto de admisión de aire de enfriamiento	Inspección visual		X							
	Limpiar									X
Chispero en silenciador	Revisar*								X	
	Limpiar* o reemplazar*									X
Todos los tornillos y tuercas accesibles (salvo los tornillos de ajuste)	Apretar									X
Cuchillas	Limpiar		X							
	Afilar									X
Lubricación de los engranajes	Revisar									X
	Llenar									X

* Efectuado por un concesionario Stihl

Piezas y controles



- | | | | | | |
|---|--------------------------------|----|------------------------------------|----|-------------------------------------|
| 1 | Mango delantero | 7 | Funda de la cuchilla de corte | 14 | Tanque de combustible |
| 2 | Casquillo de bujía | 8 | Cubierta | 15 | Silenciador |
| 3 | Traba de cuchilla | 9 | Palanca del estrangulador | 16 | Gatillo de aceleración |
| 4 | Tapa de llenado de combustible | 10 | Caja del filtro | 17 | Bloqueo del gatillo de aceleración |
| 5 | Mango trasero | 11 | Tornillos de ajuste del carburador | 18 | Bloqueo giratorio (solamente HS 80) |
| 6 | Cuchillas de corte | 12 | Mango de arranque | 19 | Protector de la cuchilla de corte |
| | | 13 | Control deslizante | 20 | Bomba de combustible |

Definiciones

1. **Mango delantero.**
Barra de empuñadura para la mano izquierda ubicada en la parte delantera del cortasetos.
2. **Casquillo de la bujía.**
Conecta la bujía al alambre de encendido.
3. **Traba de la cuchilla.**
Ayuda a impedir el movimiento de las cuchillas de corte durante el arranque.
4. **Tapa de llenado de combustible.**
Para tapar el tanque de combustible.
5. **Mango trasero.**
El mango para apoyar la mano derecha ubicado en la parte trasera del cortasetos.
6. **Cuchillas de corte.**
Cuchillas de acero para cortar setos y arbustos.
7. **Funda de cuchilla de corte.**
Cubre las cuchillas cuando el cortasetos no está en uso.
8. **Cubierta.**
Caja de polímero que encierra al grupo motor.
9. **Palanca del estrangulador.**
Facilita el arranque del motor al enriquecer la mezcla.
10. **Caja del filtro.**
Caja que cubre el filtro de aire.
11. **Tornillos de ajuste del carburador.**
Para afinar el carburador.
12. **Mango de arranque.**
El mango de la cuerda de arranque, el cual es el dispositivo usado para arrancar el motor.
13. **Control deslizante.**
Palanca para el acelerador de arranque y el interruptor de parada.
14. **Tanque de combustible.**
Contiene la mezcla de gasolina y aceite.
15. **Silenciador.**
Atenúa los ruidos del escape y conduce lejos del operador los gases expulsados por el tubo de escape.
16. **Gatillo de aceleración.**
Regula la velocidad del motor.
17. **Bloqueo del gatillo de aceleración.**
Es necesario oprimirlo antes de activar el gatillo de aceleración.
18. **Bloqueo giratorio.**
Palanca para girar el mango trasero.
19. **Protector de la cuchilla de corte.**
Ayuda a reducir el riesgo de contacto entre el operador y las cuchillas.
20. **Bomba de combustible.**
Suministra alimentación adicional de combustible para el arranque en frío.

Especificaciones

EPA / CEPA:

El período de cumplimiento de emisiones indicado en la etiqueta de cumplimiento de emisiones es la cantidad de horas de funcionamiento para la cual la máquina ha demostrado la conformidad con los requerimientos de emisiones del Gobierno federal de los EE.UU.

Categoría A = 300 horas, B = 125 horas, C = 50 horas

CARB:

El período de cumplimiento de emisiones empleado en la etiqueta del índice de aire CARB tiene las siguientes definiciones:

Extended (extendido) = 300 horas,
Intermediate (intermedio) = 125 horas,
Moderate (moderado) = 50 horas

Motor

Motor STIHL de un cilindro, dos tiempos

Cilindrada: (1,55 pulg³)
(25,4 cm³)

Diámetro: 1,34 pulg
(34 mm)

Carrera: 1,10 pulg
(28 mm)

Potencia del motor según ISO 8893: 1,3 bhp
(0,95 kW)

Ralentí: 2800 rpm

Sistema de encendido

Tipo: Encendido por magneto electrónico

Bujía (extinguida): Bosch WSR 6 F
o
NGK BPMR 7 A;

Distancia entre electrodos: 0,5 mm (0,02 pulg)

Roscas de la bujía: M 14 x 1,25;
9,5 mm (0,37 pulg) de largo

Sistema de combustible

Carburador: Carburador de diafragma de todas posiciones con bomba de combustible integral

Filtro de aire: Elementos de espuma y de filtro

Capacidad del tanque de combustible: 0,37 l (12,6 oz fl.)

Mezcla de combustible: Vea "Combustible"

Arrancador de cuerda

Cuerda de arranque: 02,7 mm de diám.,
800 mm
(0,11 pulg de diám.,
31,5 pulg)

Angulo de afilado de cuchilla

45° con respecto a horizontal

Peso (máquina completa)

HS 75/20 pulg* 5,4 kg (11,9 lb)

HS 75/24 pulg* 5,6 kg (12,3 lb)

HS 80/24 pulg* 5,7 kg (12,6 lb)

HS 80/30 pulg* 5,9 kg (13,0 lb)

*Largo de las cuchillas de corte

Accesorios especiales

Disolvente de resina STIHL

para limpiar cuchillas de corte

Lubricante para engranajes STIHL

Tubo de 80g/3oz


Tubo de 225g/8oz

Póngase en contacto con el concesionario STIHL para obtener más información sobre éstos y otros accesorios especiales.

Mantenimiento y reparación

El usuario de esta máquina deberá realizar solamente los trabajos de mantenimiento descritos en este manual. Otros trabajos de reparación debe hacerlos solamente un técnico de servicio autorizado por STIHL.

Los reclamos de garantía serán aceptados únicamente si la reparación fue hecha por un concesionario de servicio autorizado por STIHL usando repuestos originales de STIHL.

Los repuestos originales de STIHL se pueden identificar por el número de pieza de STIHL, el logotipo **STIHL** y el símbolo de piezas de STIHL . En las piezas pequeñas, el símbolo puede aparecer solo.

Declaración de garantía de STIHL Incorporated sobre sistemas de control de emisiones según normas Federales y del Estado de California

Sus derechos y obligaciones de garantía

La Agencia de Protección del Medio Ambiente (EPA) de los EE.UU., el Consejo de Recursos del Aire del Estado de California (CARB) y STIHL Incorporated se complacen en explicarle la garantía del sistema de control de emisiones instalado en el motor de su equipo de modelos año 2000 y siguientes. En California, los nuevos motores pequeños para uso fuera de carretera deben estar diseñados, construidos y equipados de conformidad con las rigurosas normas de contaminación del aire del estado. En otros estados, los modelos 1997 y posteriores de tales motores deben estar diseñados, construidos y equipados, al tiempo de la venta, de conformidad con los reglamentos correspondientes de la EPA. El motor debe carecer de defectos en el material y la fabricación que puedan causar el incumplimiento de las normas de la EPA durante los primeros dos años de uso del motor a partir de la fecha de compra por el último comprador. STIHL Incorporated debe garantizar el sistema de control de emisiones en el motor pequeño para uso fuera de carretera por el intervalo mencionado más arriba, siempre que dicho motor no haya estado sujeto a maltrato, negligencia o cuidado inapropiado. El sistema de control de emisiones de su máquina incluye piezas tales como el carburador y el sistema de encendido. Además puede incluir mangueras, conectores y otros conjuntos relativos a emisiones.

Si existe una condición amparada bajo garantía, STIHL Incorporated reparará el motor sin costo alguno, incluido el diagnóstico (si el trabajo de diagnóstico fue realizado por un concesionario autorizado), las piezas y la mano de obra.

Cobertura de garantía del fabricante:

Los motores pequeños para equipos de uso fuera de carretera están garantizados por dos años en el Estado de California. En otros estados, los modelos de 1997 y posteriores de tales motores también están garantizados por dos años. En el caso de encontrarse defectos en cualquiera de las piezas del motor relacionadas con el sistema de control de emisiones, la pieza será reparada o sustituida por STIHL Incorporated sin costo alguno.

Responsabilidades del usuario relativas a la garantía:

Como propietario de tal motor, usted tiene la responsabilidad de realizar el mantenimiento requerido descrito en su manual del usuario. STIHL Incorporated le recomienda guardar todos los recibos comprobantes de los trabajos de mantenimiento hechos a su motor, pero STIHL Incorporated no puede negar garantía basado en el solo hecho de faltar los recibos o del incumplimiento del propietario de realizar todos los trabajos de mantenimiento programados. El uso de cualquier pieza de repuesto o servicio cuyo comportamiento y durabilidad sean equivalentes está permitido en trabajos de mantenimiento o reparación

no contemplados en la garantía, y no reducirá las obligaciones de la garantía del fabricante del motor.

Sin embargo, como propietario del motor pequeño para equipo de uso fuera de carretera usted debe ser consciente de que STIHL Incorporated puede negarle cobertura de garantía si dicho motor o una pieza del mismo ha fallado debido a maltrato, descuido, mantenimiento inadecuado o modificaciones no autorizadas.

Usted es responsable de llevar el motor a un centro de servicio STIHL tan pronto surja el problema. Las reparaciones bajo garantía serán realizadas en un tiempo razonable, sin exceder de 30 días. Ante cualquier duda respecto a sus derechos y responsabilidades según lo estipulado en esta garantía, comuníquese con el representante de STIHL al 1-800-467-8445 ó escriba a STIHL Inc., 536 Viking Drive, P.O. Box 2015, Virginia Beach, VA 23450-2015.

Cobertura por STIHL Incorporated

STIHL Incorporated garantiza al último comprador y a cada comprador subsiguiente que el motor pequeño para equipo de uso fuera de carretera está diseñado, construido y equipado, al tiempo de la venta, de conformidad con todos los reglamentos aplicables. Además, STIHL Incorporated garantiza al comprador inicial y a cada comprador subsiguiente que el motor está libre de defectos en el material y fabricación que puedan causar el incumplimiento de los reglamentos aplicables durante un período de dos años.

Período de garantía

El período de garantía comienza en la fecha en que el motor del equipo utilitario es entregado a usted y usted firma y remite la tarjeta de garantía a STIHL. Si cualquier pieza relacionada con el sistema de control de emisiones está defectuosa, la pieza será sustituida por STIHL Incorporated sin costo alguno para el propietario. Cualquier pieza garantizada cuyo reemplazo no está programado como mantenimiento requerido, o que debe recibir únicamente inspección regular en el sentido de "reparar o sustituir según sea necesario", estará garantizada por el período de garantía. Cualquier pieza cuyo reemplazo está programado como mantenimiento requerido estará garantizada por el intervalo hasta el primer punto de reemplazo programado para esa pieza.

Diagnóstico

Como propietario, a usted no se le debe cobrar la mano de obra por los diagnósticos que determinen que una pieza garantizada está defectuosa. No obstante, si usted reclama garantía para un componente y se comprueba que la máquina no está defectuosa, STIHL Incorporated le cobrará el costo de la prueba del sistema de control de emisiones.

El trabajo de diagnóstico mecánico se realiza en un centro de servicio autorizado por STIHL. La prueba del sistema de control de emisiones se realiza ya sea en la fábrica de STIHL Incorporated o en un laboratorio de ensayos independiente.

Trabajo bajo garantía

STIHL Incorporated reparará los defectos amparados por la garantía en cualquier estación de garantía o centro de servicio autorizado por STIHL. Todo trabajo de este tipo se hará gratis para el propietario siempre que se determine que la pieza cubierta por la garantía está defectuosa. Se puede usar cualquier pieza de repuesto aprobada por el fabricante o equivalente en las piezas relacionadas con el sistema de control de emisiones, y debe ser suministrada gratis al propietario. STIHL Incorporated es responsable por daños a otros componentes del motor causados por la falla de una pieza garantizada que todavía está bajo garantía.

La lista de piezas del sistema de control de emisiones garantizadas del Consejo de Recursos del Aire del Estado de California define específicamente las piezas garantizadas que están relacionadas con las emisiones. Estas piezas garantizadas son:

Carburador
Estrangulador (sistema de refuerzo para arranque en frío)
Múltiple de admisión
Filtro de aire
Bujía
Magneto o sistema de encendido electrónico (módulo de encendido)
Convertidor catalítico (si lo tiene)
Sujetadores/pernos

Dónde presentar el reclamo para servicio bajo garantía

Lleve el producto a cualquier centro de servicio autorizado por STIHL y presente la tarjeta de garantía firmada.

Requerimientos de mantenimiento

Las instrucciones presentadas en este manual se basan en la aplicación de la mezcla recomendada para motores de 2 tiempos (vea también la instrucción "Combustible"). Las discrepancias de estas recomendaciones con respecto a la calidad y la proporción de la mezcla de combustible y aceite pueden exigir intervalos de mantenimiento más cortos.

Limitaciones

Esta garantía de los sistemas de control de emisiones no cubrirá ninguno de los puntos siguientes:

- reparación o sustitución requerida debido a maltrato, negligencia o falta del mantenimiento requerido,
- reparaciones mal hechas o sustituciones contrarias a las especificaciones de STIHL Incorporated que afecten desfavorablemente el funcionamiento y/o la durabilidad, y las alteraciones o modificaciones no recomendadas o aprobadas por escrito por STIHL Incorporated,

y

- la sustitución de piezas y otros servicios y ajustes necesarios para el mantenimiento requerido en y después del primer punto de reemplazo programado.

 **WARNING!**

The engine exhaust from this product contains chemicals known to the State of California to cause cancer, birth defects or other reproductive harm.

 **ADVERTENCIA!**

El gas de escape del motor de esta máquina contiene productos químicos que en el estado de California son considerados como causantes de cáncer, defectos de nacimiento u otros efectos nocivos para los órganos de la reproducción.

0458 366 3021

englisch / English USA / spanisch / español EE.UU / CARB / EPA