

STIHL FC 83

Instruction Manual
Owner's Manual

Manual de instrucciones
Manual del usuario



Warning:
Always follow safety precautions in Owner's Manual -
improper use can cause serious injury!

Advertencia:
Siempre siga las precauciones de seguridad -
dadas en el manual del usuario -
el uso indebido puede causar lesiones graves.

Contents

Allow only persons who understand this manual to operate your edger.

To receive maximum performance and satisfaction from your STIHL edger, it is important that you read and understand the maintenance and safety precautions, starting on page 3, before using your edger.

Contact your STIHL dealer or the STIHL distributor for your area if you do not understand any of the instructions in this manual.

Warning!

Because an edger is a high-speed cutting tool some special safety precautions must be observed to reduce the risk of personal injury.

Careless or improper use may cause serious or even fatal injury.

Make sure your unit is equipped with the proper deflector and handle for the type of cutting attachment being used. Always wear proper eye protection.

STIHL's philosophy is to continually improve all of its products. As a result, engineering changes and improvements are made from time to time. If the operating characteristics or the appearance of your edger differs from those described in this manual, please contact your STIHL dealer for information and assistance.

Printed on chlorine-free paper
Printing inks contain vegetable oils,
paper is recyclable

© 2001 Andreas Stihl AG & Co., Waiblingen

0458 242 3021. M0,2. F1. PM. Printed in USA

FC 83

Guide to Using this Manual	2
Safety Precautions	3
Working Techniques	12
Mounting the Loop Handle	14
Fitting the Cutting Blade	15
Fuel	16
Fueling	16
Starting / Stopping the Engine	17
Operating Instructions	20
Cleaning the Air Filter	20
Motor Management	21
Adjusting the Carburetor	21
Spark Arresting Screen in Muffler ..	22
Checking the Spark Plug	23
Lubricating the Gearbox	24
Rewind Starter	25
Storing the Machine	25
Replacing the Depth Wheel / Gearbox Wheel	25
Replacing the Skirt	26
Replacing the Cutting Blade	28
Maintenance Chart	29
Parts and Controls	30
Specifications	32
Special Accessories	32
Maintenance and Repairs	33
Quality Certification	33
STIHL Incorporated Federal and California Emission Control Warranty Statement	34

STIHL®

Guide to Using this Manual

Pictograms

All the pictograms attached to the machine are shown and explained in the this manual.

The operating and handling instructions are supported by illustrations.

Symbols in text

The individual steps or procedures described in the manual may be marked in different ways:

- Step or procedure without direct reference to an illustration.


Description of step or procedure that refers directly to the illustration and contains item numbers that appear in the illustration.


Example:


Loosen the screw **(1)**


Lever **(2)** ...

In addition to the operating instructions, this manual may contain paragraphs that require your special attention. Such paragraphs are marked with the symbols described below:

 Warning where there is a risk of an accident or personal injury or serious damage to property.

 Warning where there is a risk of damaging the power tool or individual components.

 Note or hint which is not essential for using the power tool, but may improve the operator's understanding of the situation and result in better use of the power tool.

 Note or hint on correct procedure in order to avoid damage to the environment.

* Equipment and features

This instruction manual refers to several models with different features. Components that are not installed in all models and related applications are marked thus *. Such components are available as special accessories from your STIHL dealer.

Engineering improvements

STIHL's philosophy is to continually improve all of its products. As a result, engineering changes and improvements are made from time to time. If the operating characteristics or the appearance of your machine differ from those described in this manual, please contact your STIHL dealer for assistance.

Safety Precautions



Warning!

Because an edger is a high-speed, fast-cutting power tool, special safety precautions must be observed to reduce the risk of personal injury.



It is important that you read, fully understand and observe the following safety precautions and warnings. Save this owner's manual and read

the safety instructions periodically. Be thoroughly familiar with the controls and the proper use of the equipment. Know how to stop the unit and disengage the controls quickly.

Careless or improper use of any edger may cause serious or fatal injury.

Have your STIHL dealer show you how to operate your edger. Observe all applicable local safety regulations, standards and ordinances.



Warning!

The use of any edger may be hazardous. If the rotating cutting tool comes in contact with your body, it will cut you. When it comes in contact with solid foreign objects such as rocks or bits of metal, it may fling them directly or by ricochet in the direction of bystanders or the operator.

Striking such objects could damage the cutting attachment and may cause blades to crack, chip or break. Thrown objects or damaged blades may result in serious or fatal injury to the operator or bystanders.



Warning!

Minors should never be allowed to use an edger. Bystanders, especially children and animals should not be allowed in the area where an edger is in use.

Never let the edger run unattended.



Warning!

Do not lend or rent your edger without the owner's manual. Be sure that anyone using your edger understands the information contained in this manual.

Most of these safety precautions and warnings apply to the use of all STIHL edgers. Different models may have different parts and controls. See the appropriate section of your owner's manual for a description of the controls and function of the parts of your model edger.

Safe use of an edger involves

1. the operator
2. the edger
3. the use of the edger.

Save these instruction !

THE OPERATOR!

Physical Condition

You must be in good physical condition and mental health and not under the influence of any substance (drugs, alcohol, etc.) which might impair vision, dexterity or judgment. Do not operate an edger when you are fatigued.

Be alert - if you get tired while operating your edger, take a break.

Tiredness may result in loss of control. Working with any edger can be strenuous. If you have any condition that might be aggravated by strenuous work, check with your doctor before operating an edger.

Warning!

Prolonged use of an edger (or other machines) exposing the operator to vibrations may produce whitefinger disease (Raynaud's phenomenon) or carpal tunnel syndrome. These conditions reduce the hand's ability to feel and regulate temperature, produce numbness and burning sensations and may cause nerve and circulation damage and tissue necrosis.

All factors which contribute to whitefinger disease are not known, but cold weather, smoking and diseases or physical conditions that affect blood vessels and blood transport, as well as high vibration levels and long periods of exposure to vibration are mentioned as factors in the development of whitefinger disease. In order to reduce the risk of whitefinger disease and carpal tunnel syndrome, please note the following:

- Most STIHL power tools are available with an anti-vibration ("AV") system designed to reduce the transmission of vibrations created by the engine to the operator's hands. An AV system is recommended for those persons using power tools on a regular or sustained basis.
- Wear gloves and keep your hands warm.

- Keep the AV system well maintained. An edger with loose components or with damaged or worn AV buffers will tend to have higher vibration levels.
- Maintain a firm grip at all times, but do not squeeze the handles with constant, excessive pressures, take frequent breaks.

All the above mentioned precautions do not guarantee that you will not sustain whitefinger disease or carpal tunnel syndrome. Therefore continual and regular users should monitor closely the condition of their hands and fingers. If any of the above symptoms appear, seek medical advice immediately.

Warning!

The ignition system of your unit produces an electromagnetic field of a very low intensity. This field may interfere with some pacemakers. To reduce the risk of serious or fatal injury, persons with pacemaker should consult their physician and the pacemaker manufacturer before operating this tool.

Proper Clothing

Warning!



Edger operation can cause serious injury to eyes, ears and person. The deflector and skirt provided with your edger may not protect the

operator from all foreign objects (gravel, glass, wire, etc.) thrown by the rotating cutting attachment. Thrown objects may also ricochet and strike the operator. To reduce the risk of injury to your eyes never operate an edger unless wearing goggles or properly fitted safety glasses with adequate top and side protection complying with ANSI Z 87.1 (or your applicable national standard).

To reduce the risk of injury to your face STIHL recommends that you also wear a face shield or face screen over your goggles or safety glasses.

 **Warning!**



Edger noise may damage your hearing. Wear sound barriers (ear plugs or ear muffs) to protect your hearing. Continual and regular users should have

their hearing checked regularly.

Wear proper protective clothing.



Protect your hands with gloves when handling the edger and the cutting tool. Heavy-duty, nonslip gloves improve your grip and protect your hands.



Clothing must be sturdy and snug-fitting, but allow complete freedom of movement. Avoid loose-fitting jackets, scarfs, neckties, jewelry, flared or

cuffed pants, unconfined long hair or anything that could become caught on branches, brush or moving parts of the unit. Wear long pants made of heavy material to protect your legs. Do not wear shorts.



Good footing is most important in edger work. Wear sturdy boots with nonslip soles. Do not operate edger when barefoot or wearing open sandals. Steel-toed safety boots are recommended.



Wear an approved safety hard hat to reduce the risk of injury to your head when there is a danger of head injuries.

THE EDGER

For illustrations and definitions of the edger parts see the chapter on "Parts and Controls"!

 **Warning!**

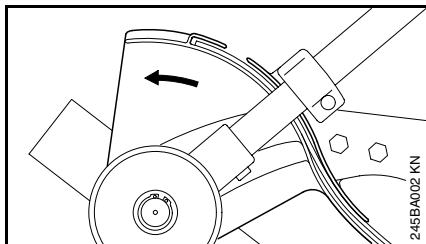
Never modify an edger in any way. Only attachments supplied by STIHL or expressly approved by STIHL for use with the specific STIHL edger models are authorized. Although certain unauthorized attachments are useable for the STIHL edger, their use may, in fact, be extremely dangerous.

THE USE OF THE EDGER

Transporting the edger

 **Warning!**

Always turn off the engine and make sure the cutting attachment has stopped before putting an edger down. When transporting your edger in a vehicle, properly secure it to prevent turnover, fuel spillage and damage to the edger.



Preparation for the use of the edger

Adjust carrying harness and hand grip to suit your size before starting work. The machine should be properly balanced as specified in your owner's manual for proper control and less fatigue in operation.

Always check your edger for proper condition and operation before starting, particularly the throttle trigger, throttle trigger interlock (and if applicable, stop switch, cutting tool, deflector and harness). An arrow on the deflector shows the correct direction of rotation of the cutting blade.

The arrow on the deflector must always face away from you, so that cuttings and other debris will be diverted away from the machine and your position (see chapter "Working Techniques").

The throttle trigger must move freely and always spring back to the idle position. The cutting tool must be properly tightened and in safe operating condition. Inspect for loose parts (nuts, screws, etc.) and for cracked, bent, warped or damaged blades.

Fueling

Your STIHL edger uses an oil-gasoline mixture for fuel (see the chapter on "Fuel" of your owner's manual).

Warning!



Gasoline is an extremely flammable fuel. If spilled or ignited by a spark or other ignition source, it can cause fire and serious burn injury or property

damage. Use extreme caution when handling gasoline or fuel mix.

Do not smoke or bring any fire or flame near the fuel.

Fueling Instructions

Fuel your edger in well-ventilated areas, outdoors. Use a fuel container acceptable for the purpose.

Warning!

Never attempt to fuel a running or hot engine. Gasoline vapor pressure may build up inside the gas tank of a two cycle engine depending on the fuel used, the weather conditions, and the venting system of the tank. In order to reduce the risk of burns or other personal injury from escaping gas vapor and fumes, remove the fuel filler cap on your edger carefully so as to allow any pressure build-up in the tank to release slowly. Never remove fuel filler cap while engine is running.

Select bare ground for fueling and move at least 10 feet (3 m) from the fueling spot before starting the engine.

Replace fuel filler cap securely and check for tightness.

Wipe off any spilled fuel before starting your edger and check for leakage.

Warning!

Check for fuel leakage while refueling and during operation. If fuel or oil leakage is found, do not start or run the engine until leak is fixed and spilled fuel has been wiped away.

Move at least 10 feet (3 m) from spot of leakage before starting. Take care not to get fuel on your clothing. If this happens, change your clothing immediately.

Warning!



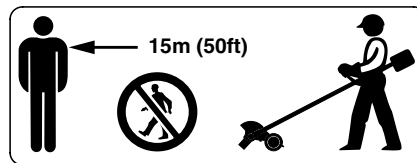
Unit vibrations can cause an improperly tightened fuel cap to loosen or come off and spill quantities of fuel. In order to reduce risk of fuel spillage and fire, tighten fuel cap by hand with as much force as possible. The screw driver end of the STIHL combination wrench or other similar tool can be used as an aid in tightening slotted fuel caps.

Starting

Warning!

Your edger is a one-person machine.

Once started, it may fling foreign objects for a great distance.



To reduce the risk of eye and other injury insure that bystanders are at least 50 feet (15 m) away. Stop the engine and cutting tool immediately if you are approached.

Start and operate your edger without assistance. For specific starting instructions, see the appropriate section of your manual.

Place the edger on firm ground or other solid surface in an open area. Maintain a good balance and secure footing.

To reduce the risk of injury from loss of control, be absolutely sure that the cutting tool is clear of you and all other obstructions and objects, including the ground, because when the engine starts at starting-throttle, engine speed will be fast enough for the clutch to engage and turn the cutting tool.

When you pull the starter grip, don't wrap the starter rope around your hand. Do not allow the grip to snap back, but guide the starter rope to rewind properly. Failure to follow this procedure may result in injury to hand or fingers and may damage the starter mechanism.

Working Conditions

Operate and start your edger only outdoors in a well ventilated area.

Warning!



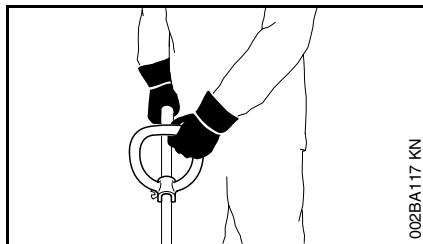
Your edger produces toxic exhaust fumes as soon as the engine is running. These gases (e.g. carbonmonoxide) may be colourless and odourless.

To reduce the risk of serious or fatal injury from inhaling toxic fumes, never run the edger indoors or in poorly ventilated locations.

⚠ Warning!

Use of this product can generate dust and fumes containing chemicals known to cause respiratory disease, cancer, birth defects, or other reproductive harm. If you are unfamiliar with the risks associated with the particular dust or fume at issue, consult your employer, governmental agencies such as OSHA and NIOSH and other sources on hazardous materials. California and some other authorities, for instance, have published lists of substances known to cause cancer, reproductive toxicity, etc.

Control dust and fumes at the source where possible. In this regard use good work practices and follow the recommendations of OSHA/NIOSH and occupational and trade associations. When the inhalation of toxic dust and fumes cannot be eliminated, the operator and any bystanders should always wear a respirator approved by NIOSH/MSHA for the type of dust and / or fumes encountered.



Operate the edger under good visibility and daylight conditions only. Work carefully.

Always hold the edger firmly with both hands. Wrap your fingers tightly around the handles, keeping the handles cradled between your thumb and forefinger. Keep your hands in this position to have your edger under control at all times.

Make sure your edger handles and grip are in good condition and free of moisture, pitch, oil or grease.

⚠ Warning!

Never attempt to operate any edger with one hand. Loss of control of the edger resulting in serious or fatal injury may result.

Special care must be taken in slippery conditions (wet ground, snow) and in difficult, over-grown terrain. Watch for hidden obstacles such as tree stumps, roots and ditches to avoid stumbling.

Stay alert for uneven side walks, holes in terrain or other similar conditions when using your edger. Always push slowly over rough ground. Do not abuse your edger.

⚠ Warning!



Before cutting, inspect and clear the area of stones, glass, pieces of metal, trash or other solid objects. The cutting attachment could throw

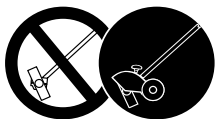
objects of this kind and cause personal injury.

Do not use edger on gravel surfaces.

⚠ Warning!

Never divert discharge of material toward bystanders nor allow anyone near the area of operation. Use care in directing discharge to avoid glass enclosures, automobiles, and the like.

⚠ Warning!



To reduce the risk of injury from thrown objects and blade contact, never operate an edger without properly mounted deflector and skirt. Do not overreach. Keep proper footing and balance at all times.

⚠ Warning!



To reduce the risk of injury from blade contact, keep hands and feet away from cutting area.

⚠ Warning!

This edger is normally to be used at ground level with the cutting attachment perpendicular to the ground. Use of an edger above ground level or with the cutting attachment parallel to the ground may increase the risk of injury, since the cutting attachment is more fully exposed and the edger may be more difficult to control. Never use your edger as a hedge trimmer.

⚠ Warning!

When using your edger, avoid cutting close to fences, sides of buildings, tree trunks, stones or other such objects that could cause the edger to kick out or could cause damage to the blade. In addition, be alert to an increased risk of ricochets in such situations.

If the edger strikes a foreign object, follow these steps: stop the engine, disconnect spark plug lead, inspect for damage and repair any damage before restarting and operating the product.

Do not operate using the starting throttle lock as you do not have control of the engine speed. See section of your owner's manual on the proper use of the slide control.

If the cutting tool or deflector becomes clogged or stuck, always turn off the engine, disconnect spark plug lead and make sure the cutting tool has stopped, before cleaning. Keep lead away from spark plug to reduce the risk of unintentional starting. Grass, weeds, etc. should be cleaned off the cutting tool at regular intervals.

⚠ Warning!

During cutting, check the tightness and the condition of the cutting tool at regular intervals. If the behavior of the tool changes, stop the engine immediately, and check the nut securing the tool for tightness and the cutting tool for cracks and damage.

If the edger vibrates abnormally, immediately stop the engine and check for the cause. Vibration is generally a warning of trouble. Replace cracked, bent, warped, damaged, excessively worn or dull cutting tools immediately. Such tools may shatter at high speed and cause serious or fatal injury.

⚠ Warning!

A loose blade may cause the blade to vibrate, crack, break or come off the edger, which may result in serious or fatal injury. Make sure that the blade is properly tightened. Use the wrench supplied or one of sufficient length to obtain the proper torque. If the blade loosens after being properly tightened, stop work immediately. The retaining nut may be worn or damaged and should be replaced.

Never use unauthorized parts to secure the blade. Failure to use the proper parts may cause the blade to fly off and seriously injure the operator or bystanders. If the blade continues to loosen, see your STIHL dealer. Do not attach any blade to a unit without proper installation of all required parts. Never use an edger with a loose blade.

 **Warning!**

Never touch a rotating cutting tool with your hand or any part of your body. The tool continues to rotate for a short period after the throttle trigger is released (flywheel effect).

Important adjustments

 **Warning!**

At correct idle speed, the cutting tool should not turn. For directions on how to adjust idle speed, see the appropriate section of your owner's manual.

Do not use an edger with incorrect idle speed adjustment. You may adjust the idle speed yourself according to the instructions in your manual. If you cannot set the correct idle speed, have your STIHL dealer check your edger and make proper adjustments or repairs.

Operating instructions

Use only for edging in grass, weeds and soft green plants.

 **Warning!**

During operation, follow all safety precautions mentioned in the important safety precaution section of this manual. Improper use of any edger can cause serious or fatal personal injury.

In order to reduce risk of eye injury always wear proper eye protection and operate product from position where guards or deflector blocks the line of sight to the cutting tool.

Stop the engine whenever you leave the operating position.

Maintenance, Repair and Storing

Maintenance, replacement, or repair of the emission control devices and systems may be performed by any nonroad engine repair establishment or individual. However if you claim warranty for a component which has not been serviced or maintained properly or if nonapproved replacement parts were used, STIHL may deny warranty.

Use only identical STIHL replacement parts for maintenance and repair. Use of parts manufactured by others may cause serious or fatal injury.

Follow the maintenance and repair instructions in the appropriate section of your owner's manual. Please refer to the maintenance chart at the last pages of this manual.

 **Warning!**

Always stop the engine, disconnect the spark plug lead and make sure that the cutting tool is stopped before doing any maintenance or repair work or cleaning the edger.

Keep lead away from spark plug to reduce the risk of unintentional starting. Never attempt to make any adjustments while the engine is running (except where specifically recommended in this manual).

Do not attempt any maintenance or repair work not described in your owner's manual. Have such work performed at your STIHL service shop only. Do not modify the engine governor or overspeed the engine.

Never repair damaged cutting attachments by welding, straightening or modifying the shape. This may cause parts of the cutting tool to come off and result in serious or fatal injuries.

Check condition of cutting tool at regular short intervals. If behavior of tool changes, check it immediately for tightness or any signs of cracks in particular. Replace damaged or dull cutting tools immediately, even if they have only superficial cracks.

Check fuel filler cap for leaks at regular intervals. Use the specified spark plug and make sure it and the ignition lead are always in good condition.

 **Warning!**

A worn or damaged muffler is a fire hazard and may cause loss of hearing. Check to see that the muffler is in good condition. The edger must not be operated if the muffler is not functioning properly or has been removed. Remember that the risk of forest fires is greater in hot weather.

Use the spark arresting muffler supplied with the unit. Never touch a hot muffler or burn will result.

 **Warning!**

In order to reduce the risk of fire, do not modify or remove any part of the muffler or spark arrestor.

Tighten all nuts, bolts and screws except the carburetor adjustment screws after each use.

Keep spark plug and wire connection tight and clean. The spark plug electrode gap should be checked with a feeler gauge at least every 50 operating hours and reset if necessary. Fit a new spark plug if the electrodes are badly pitted.

Additionally, the daily maintenance schedule for your edger set forth in your STIHL Owner's Manual should be strictly followed.

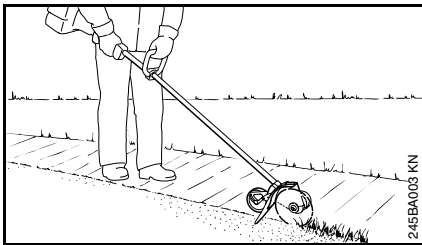
For any maintenance please refer to the maintenance chart **and to the warranty statement** near the end of this manual.

Store edger indoors in a dry, high or locked location out of reach of children.

Before storing for longer than a few days, always empty the fuel tank.

Never store the machine with fuel in the fuel tank inside a building where fumes may reach an open flame or sparks, or in a confined area such as a car trunk.

Working Techniques

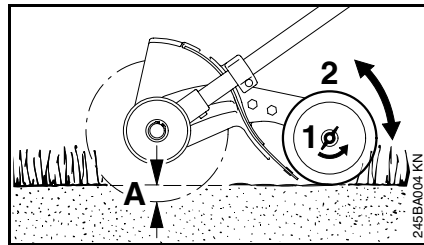


Your power edger is designed to produce sharp contoured borders around lawns and flower beds. It will cut almost all types of grass, weeds and soft green plants.

Preparations

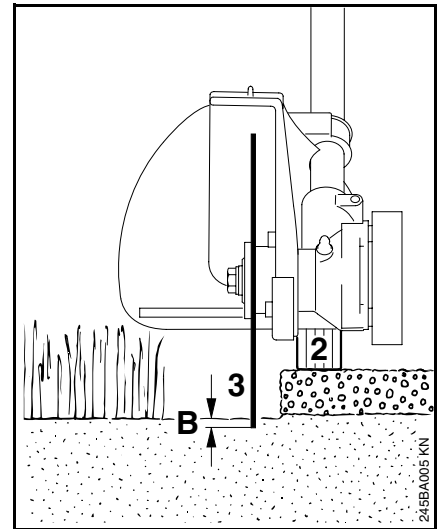
If the soil is very dry, spray it with water before you start work: this softens the soil a little and also reduces the amount of dust created. Slightly damp green plants are easier to cut.

- Inspect the work area and clear away any obstacles (stones, gravel, glass, etc.) to reduce the risk of injury from thrown objects.
- Plan the best route for edging, i.e. starting point, changes in direction, etc. Always hold and operate your edger on the right-hand side of the body.



Adjusting the depth of cut

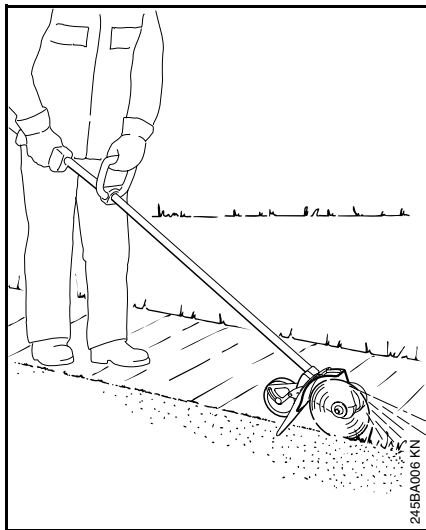
- Shut off the engine and wait for the cutting blade to come to a complete standstill.
- Loosen wingnut (1) counterclockwise
- Adjust wheel (2):
Upwards
to increase depth of cut (A).
Downwards
to reduce depth of cut (A).



Adjust correctly

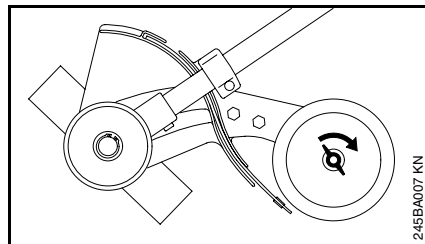
The depth of cut varies, depending on unevenness of the ground, your height and the way you hold the edger.

- Use the following procedure:
Adjust the wheel (2) so that the cutting blade (3) just touches the ground or breaks the surface of the soil by no more than 0.2" / 5 mm (B) in the normal working position.

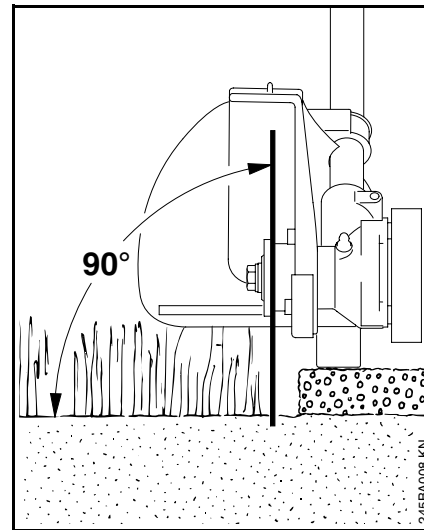


⚠ Do not adjust the deflector!

The deflector has been set by the manufacturer so that the arrow on the deflector and the open side point away from the operator. This ensures that cuttings and other debris will be directed away from the machine and operator.



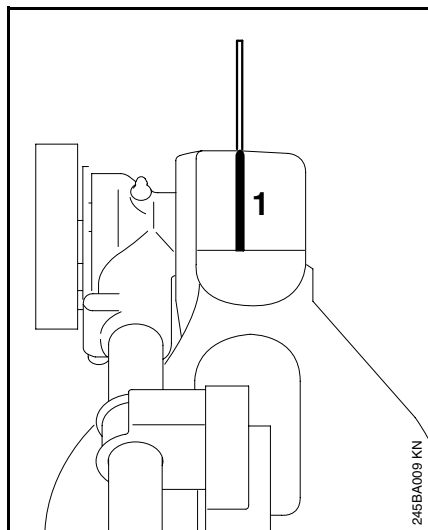
- Tighten wingnut clockwise.
- Standing in the normal working position, check the depth of cut again and correct it if necessary.



Edging

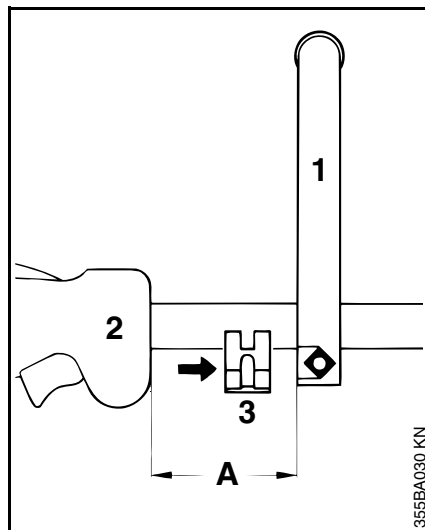
- Start the engine.
- Start the cut at half throttle and continue cutting at full throttle.
- Hold and guide the unit so that the blade is vertical.
- Cut steadily so that the engine speed does not decline to any major extent – do not apply force!
- Cut at a normal walking pace.
- Do not push the blade into the ground!

Mounting the Loop Handle

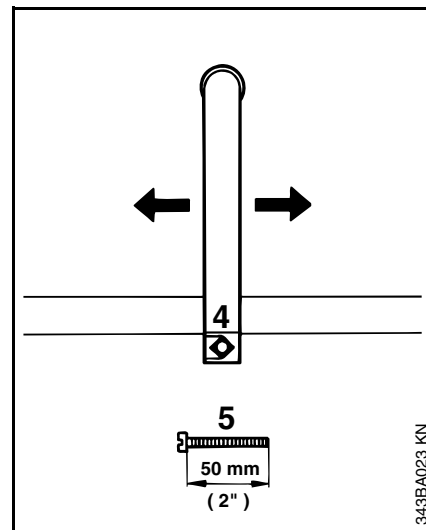


- Always walk forwards when cutting, do not pull the unit towards you.
- Cut at a steady pace to avoid having to make several passes.

1 = Gunning sight for cutting blade.



- Fit the loop handle (1) on the drive tube 8" / 20 cm (A) forward of the control handle (2)
- Position the clamp (3) against the drive tube and slide it into the loop handle.

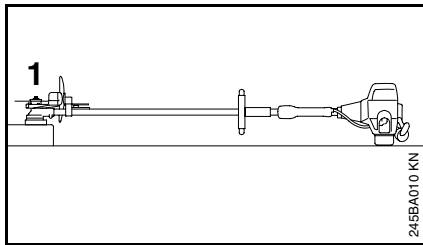


- Fit square nut (4) in the loop handle, insert the clamp screw (5) from the other side and tighten down securely.

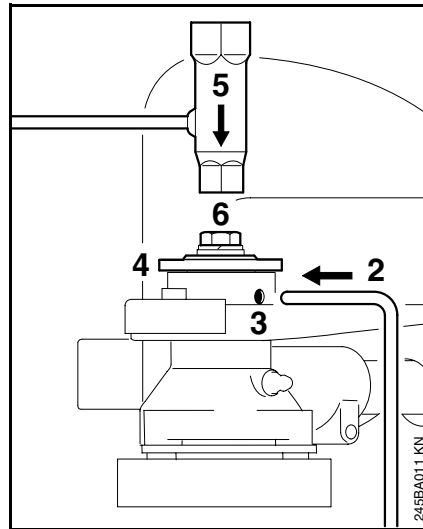
Adjusting loop handle to most comfortable position:

- Release clamp screw (5).
- Move the loop handle along the drive tube as required - retighten the clamp screw.

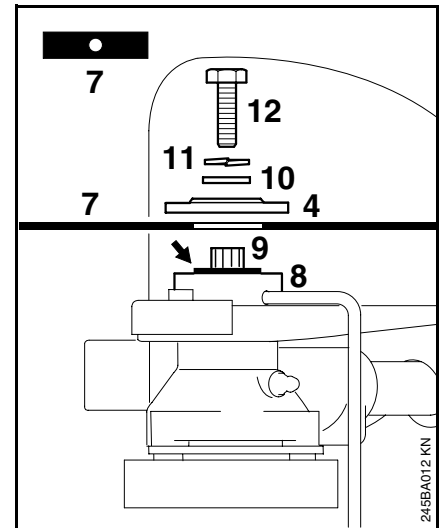
Fitting the Cutting Blade



- Place the power edge on a suitable support so that the blade mounting (1) faces upwards.



- Insert the Allen wrench (2) as far as possible in the bore (3) – push lightly and rotate it back and forth **together** with the thrust washer (4) until the drive shaft is blocked.
- Apply combination wrench (5) to screw (6).
- Loosen screw clockwise (left-hand thread) and take it out.
- Remove retaining ring, plain washer and thrust washer.



- Position blade (7) on the thrust plate (8).
- ⚠ Collar (see arrow) must engage hole in blade!
- Fit thrust washer (4) on the drive shaft (9).
- Block the drive shaft.
- Insert screw (12) with plain washer (10) and retaining ring (11) in shaft counterclockwise and tighten down firmly.

Fuel

This engine is certified to operate on unleaded gasoline and with the mix ratio 50:1.

Your two-stroke engine requires a mixture of brand-name gasoline and quality two-stroke engine oil with the **classification TC**.

Use regular branded unleaded gasoline with a minimum octane rating of 89 RON. If the octane rating of the regular grade gasoline in your area is lower use premium unleaded fuel.

Fuel with a lower octane rating may result in preignition (causing "pinging") which is accompanied by an increase in engine temperature. This, in turn, increases the risk of the piston seizure and damage to the engine.

The chemical composition of the fuel is also important. Some fuel additives not only detrimentally affect elastomers (carburetor diaphragms, oil seals, fuel lines etc.), but magnesium castings as well. This could cause running problems or even damage the engine. For this reason it is essential that you use only name branded fuels!

Use only STIHL two-stroke engine oil or equivalent branded two-stroke air-cooled engine oils with the classification TC for mixing.

We recommend STIHL 50:1 two-stroke engine oil since it is specially formulated for use in STIHL engines.

Do not use BIA or TCW (two-stroke water cooled) mix oils!

Take care when handling gasoline. Avoid direct contact with the skin and avoid inhaling fuel vapour.

The canister should be kept tightly closed in order to avoid any moisture getting into the mixture.

The fuel tank and the canister in which fuel mix is stored should be cleaned from time to time.

Fuel mix ages

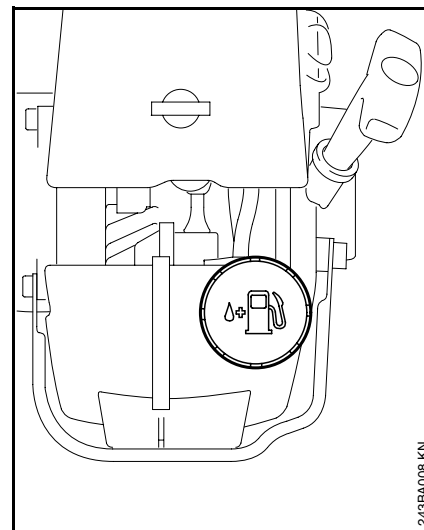
Only mix sufficient fuel for a few days work, not to exceed 3 months of storage. Store in approved safety fuel-canisters only. When mixing, pour oil into the canister first, and then add gasoline.

Gasoline	Oil (STIHL 50:1 or equivalent branded TC oils)
----------	--

US gal.	US fl.oz
1	2.6
2 1/2	6.4
5	12.8

Dispose empty mixing-oil canisters only at authorized disposal locations.

Fueling



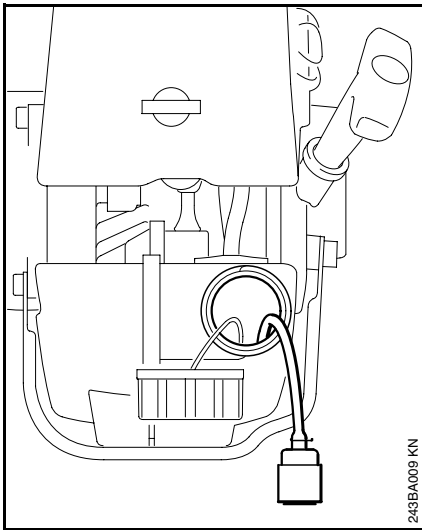
Before fueling, clean the filler cap and the area around it to ensure that no dirt falls into the tank.

Always thoroughly shake the mixture in the canister before fueling your machine.

⚠ In order to reduce the risk of burns or other personal injury from escaping gas vapor and fumes, remove the fuel filler cap carefully so as to allow any pressure build-up in the tank to release slowly.

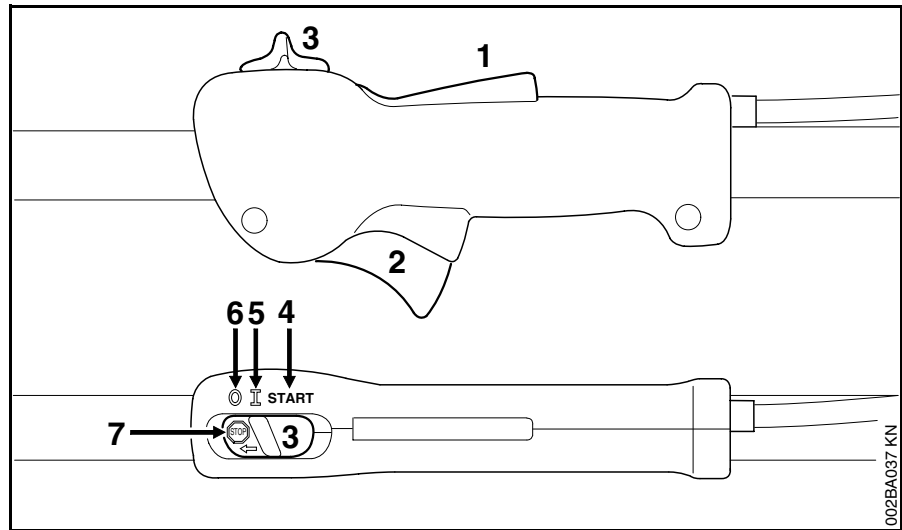
⚠ After fueling, tighten fuel cap **as securely as possible** by hand.

Starting / Stopping the Engine



Change the fuel pick up body every year.

Before storing your machine for a long period, drain and clean the fuel tank and run engine until carburetor is dry.



Controls

Throttle trigger interlock (1), throttle trigger (2) and slide control (3) with positions:

START (4),

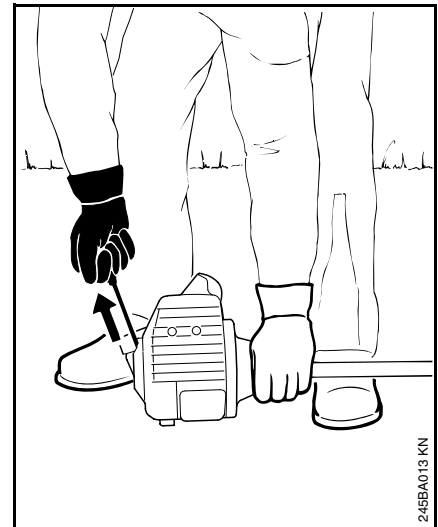
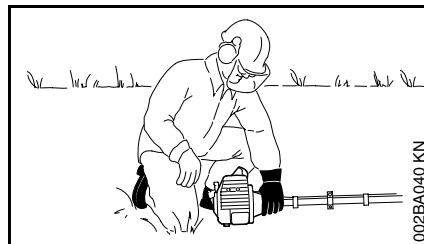
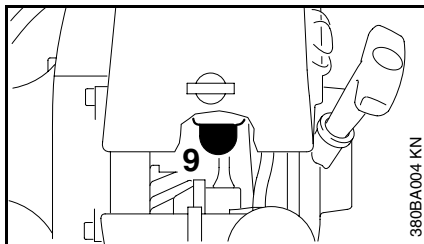
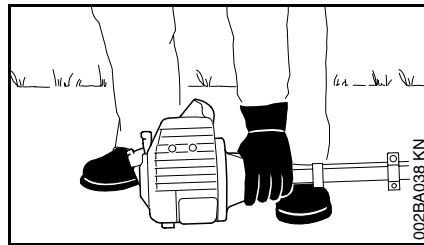
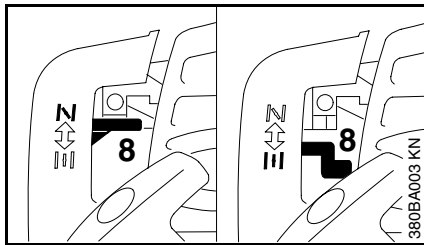
I – normal run position (5) and

0 – stop (6).

To stop the engine: Push the slide control in direction of **0** (7).

Starting

- Hold down the throttle trigger interlock and squeeze the throttle trigger.
- While holding both levers in this position, move the slide control to **START** and hold it there.
- Now release the throttle trigger, slide control and trigger interlock in that order. This is the **starting throttle position**.



- Set the choke lever (8):

For cold start to 
For warm start to 

(even if engine has been running but is still cold)

- Press fuel pump bulb (9) at least five times even if bulb is still primed with fuel – you have to reach **behind** the filter cover to do this.

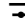
- Place the unit on the ground: It must rest securely on the engine support and the cutting tool deflector. Check that the cutting tool is not touching the ground or any other obstacles.
- Make sure you have a firm footing.
- Hold the unit with your left hand and press it down **firmly** – your thumb should be under the fan housing.




Do not stand or kneel on the drive tube! This could permanently damage the drive tube.

- Pull the starter grip slowly with your right hand until you feel it engage and then give it a brisk strong pull. Do not pull out the starter rope all the way – it might otherwise break.
- Do not let the starter grip snap back. Guide it slowly back into the housing so that the starter rope can rewind properly.
- **Continue cranking until engine runs.**

When engine begins to fire:

- Move the choke lever to  and continue cranking.

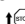

As soon as engine runs:

- Blip the throttle trigger – the slide control moves to the run position  – and the engine settles down to idle speed.

Make sure the carburetor is correctly adjusted – cutting tool must not rotate when the engine is idling.


Your machine is now ready for operation.

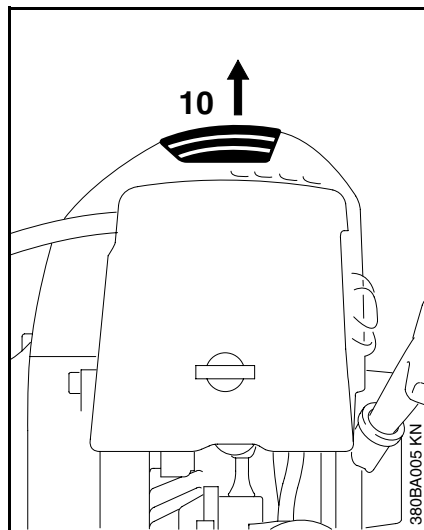
To shut down the engine:

- Move the slide control in direction of to  to .

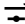
At very low outside temperatures:

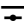
As soon as engine runs:

- Blip the throttle trigger to disengage the starting throttle position – the slide control moves to the run position  – and the engine settles down to idle speed.
- Open the throttle slightly and allow engine to warm up for a brief period.

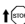




If the engine does not start:

If you did not move the choke lever to  quickly enough after the engine began to fire, the combustion chamber is flooded.

- Move choke lever to .
- Set the slide control, interlock lever and throttle trigger to the starting throttle position.
- Crank the engine by pulling the starter rope briskly – 10 to 20 pulls may be necessary.

If the engine still does not start:

- Move the slide control in direction of  to .
- Pull off the spark plug boot (10).
- Unscrew and dry off the spark plug.
- Open the throttle wide.
- Crank the engine several times with the starter to clear the combustion chamber.
- Refit the spark plug and use the combination wrench to tighten it down to 11 lbf.ft (15 Nm).
- Connect the spark plug boot (press it down firmly).
- Move slide control to **START**.
- Set choke lever to  – even if engine is cold.
- Now start the engine.

Fuel tank run until dry

- After refueling, press the fuel pump bulb at least five times – even if bulb is filled with fuel.
- Set choke lever to suit engine temperature.
- Now start the engine.

Operating Instructions

During break-in period

A factory new machine should not be run at high revs (full throttle off load) for the first three tank fillings. This avoids unnecessary high loads during the break-in period.

As all moving parts have to bed in during the break-in period, the frictional resistances in the engine are greater during this period. The engine develops its maximum power after about 5 to 15 tank fillings.

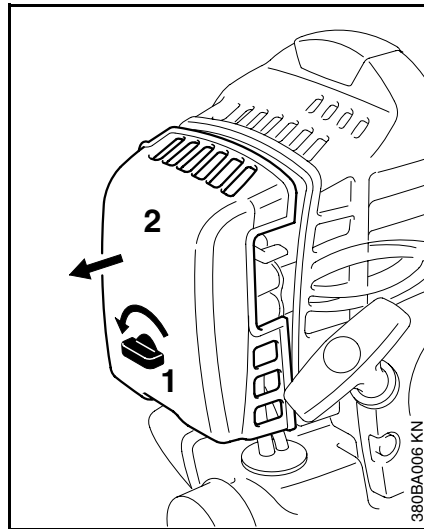
During operation

After a long period of full-throttle operation, allow engine to run for a while at idle speed so that the heat in the engine can be dissipated by flow of cooling air. This protects engine-mounted components (ignition, carburetor) from thermal overload.

After finishing work

Wait for engine to cool down. Drain the fuel tank. Store the machine in a dry place. Check tightness of nuts and screws (not adjusting screws) at regular intervals and retighten as necessary.

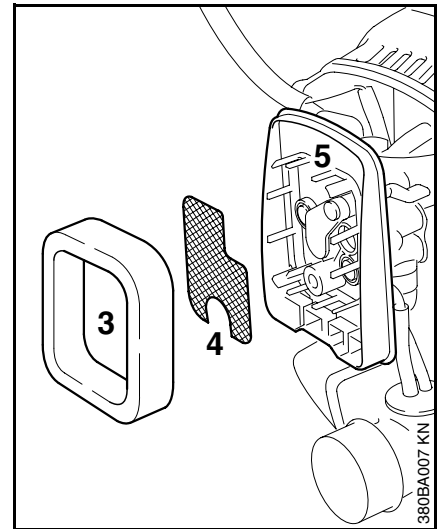
Cleaning the Air Filter



Dirty air filters reduce engine power increase fuel consumption and make starting more difficult.

If there is a noticeable loss of engine power:

- Move the choke lever to \overline{I}
- Release screw (1) and remove the filter cover (2).
- Clean away loose dirt from around the filter.



- Remove the foam element (3).
- Remove the metal screen (4) from the filter housing (5) **only** if it is dirty.
- Knock out the filter element and metal screen on the palm of your hand, blow out with compressed air or, if necessary, wash in a clean, non-flammable solution (e.g. warm soapy water) and then dry.

Motor Management

Always replace damaged parts.

- Install the metal screen in the filter housing first and then the foam element.
- Close the filter cover and tighten down the screw.

Exhaust emissions are controlled by the design of the fundamental engine parameters and components (e.g. carburation, ignition, timing and valve or port timing) without the addition of any major hardware.

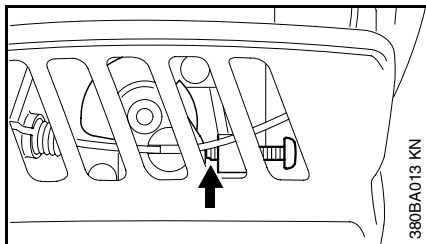
Adjusting the Carburetor



The carburetor is set at the factory to provide an optimum fuel-air mixture under all operating conditions.

Standard setting

- Mount approved cutting tool.
- Check air filter and install a new one if necessary.
- Check spark arresting screen and clean or replace as necessary.



- Back off the idle speed screw (**LA**) counterclockwise until the end of the screw (see arrow) just disappears. Then turn the screw **six** full turns clockwise.

Adjusting idle speed

- Carry out standard setting.
- Start and warm up the engine.

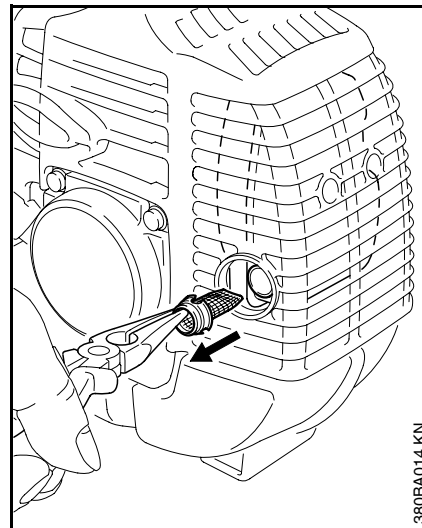
Engine stops while idling:

- Turn the idle speed screw (**LA**) slowly clockwise until the engine runs smoothly - the cutting tool must not rotate.

Cutting tool rotates when engine is idling:

- Turn the idle speed screw (**LA**) counterclockwise until cutting tool stops rotating - then turn the screw about another **two full turns** in the same direction from that position

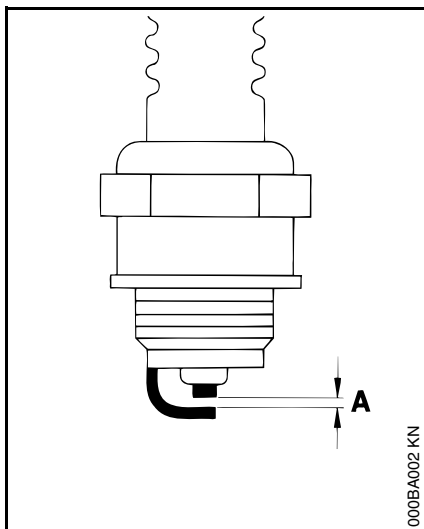
Spark Arresting Screen in Muffler



If the engine is low on power, check the spark arresting screen in the muffler.

- Pull the spark arresting screen off the stub.
- Clean spark arresting screen if necessary. If screen is damaged or coked up, fit a new one.
- Push the spark arresting screen on to the stub.

Checking the Spark Plug



Wrong fuel mix (too much engine oil in the gasoline), a dirty air filter and unfavorable running conditions (mostly at part throttle etc.) affect the condition of the spark plug. These factors cause deposits to form on the insulator nose which may result in trouble in operation.

If engine is down on power, difficult to start or runs poorly at idling speed, first check the spark plug.

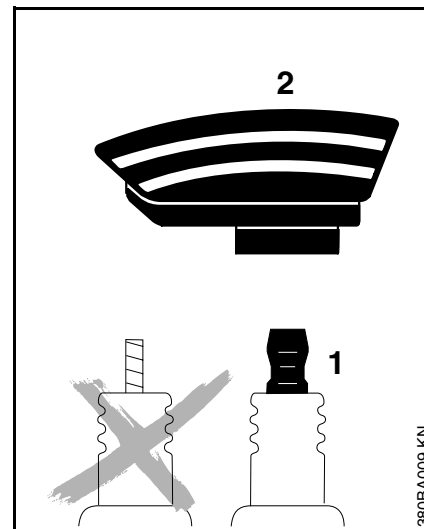
- Remove spark plug as described in chapter "Starting / Stopping the Engine"
- Clean dirty spark plug.
- Check electrode gap (**A**) - it should be 0.5mm/0.02" - readjust if necessary.
- Use only resistor type spark plugs of the approved range.

Rectify problems which have caused fouling of spark plug:

- Too much oil in fuel mix.
- Dirty air filter.
- Unfavorable running conditions, e.g. operating at part load.

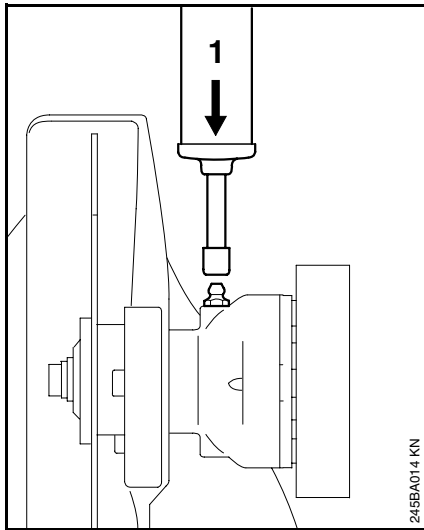
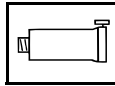
Fit a new spark plug after approx. 100 operating hours

or earlier if the electrodes are badly eroded.



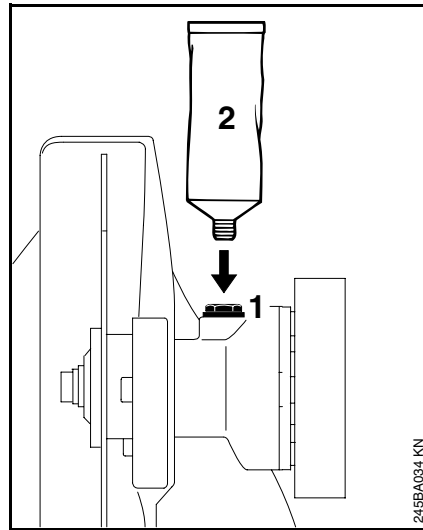
⚠ To reduce the risk of fire and burn injury, use only spark plugs authorized by STIHL. Always press spark plug boot (**2**) snugly onto spark plug boot (**1**) of the proper size. (Note: If boot has detachable SAE adapter nut, it must be attached.) A loose connection between spark plug boot and ignition wire connector in the boot may create arcing that could ignite combustible fumes and cause a fire.

Lubricating the Gearbox



Gearbox with grease nipple

- Relubricate about every 50 hours of operation.
- Apply grease gun (1) to nipple and fill gear housing with 1/4 oz (5-10 g) of STIHL gear lubricant for brushcutters (see chapter “Special Accessories”).



Gearbox with filler plug

- Check grease level regularly - about every 25 hours of operation.
- Unscrew the filler plug (1).
- If no grease can be seen on the inside of the filler plug, screw the tube of grease (2) (see chapter “Special Accessories”) into the filler hole.

- Squeeze grease into the gear housing - about 1/4 oz (5-10 g)
- ⚠ Do not completely fill the gear housing with grease.
- Refit the filler plug and tighten it down firmly.

Rewind Starter

To help prolong the wear life of the starter rope, observe the following points:

- Pull the starter rope only in the direction specified.
- Do not pull the rope over the edge of the guide bush.
- Do not pull out the rope more than specified since it might break.
- Do not let the starter grip snap back, guide it slowly into the housing. See also chapter “Starting / Stopping the Engine”.

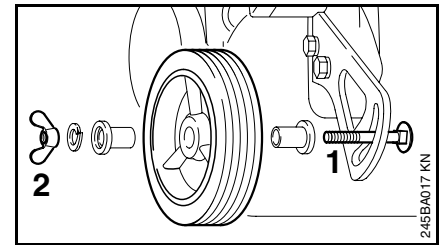
Replace a damaged starter rope in good time or have it replaced by your STIHL dealer.

Storing the Machine

For periods of three months or more:

- Drain and clean the machine in a well ventilated place.
- Run the engine until the carburetor is dry – this helps to prevent the carburetor diaphragms sticking together.
- Remove, clean and inspect the cutting blade.
- Thoroughly clean the machine, paying special attention to the cylinder fins and air filter!
- Store the machine in a dry and safe place, out of the reach of children and other unauthorized users.

Replacing the Depth Wheel / Gearbox Wheel



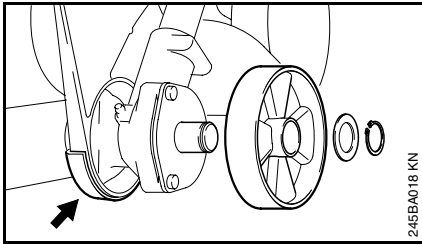
Depth wheel

Have worn wheel replaced by your STIHL dealer.

The end of the thread on screw (1) is caulked to ensure that the wingnut (2) does not work loose and be lost.


A **very high torque** has to be applied to remove the wingnut from the screw. If the parts are then reassembled, the captive function is no longer guaranteed. In such a case have the screw and wingnut replaced by your STIHL dealer.

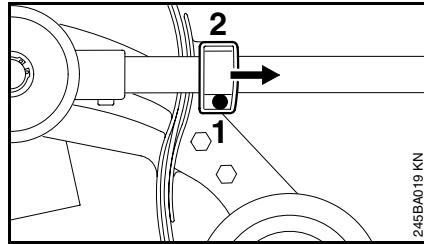
Replacing the Skirt



Gearbox wheel

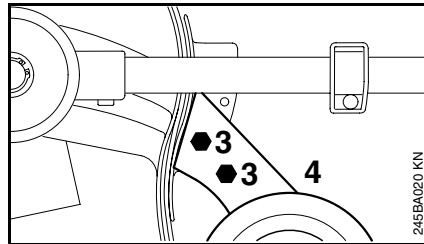
Have worn wheel replaced by your STIHL dealer.

 The wheel helps protect the gearbox from wear. If the gearbox wheel is worn, also check the wear indicator and the gearbox for signs of damage (see chapter “Checking and Replacing the Wear Indicator”).

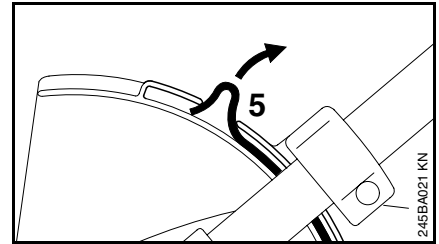


Removing the skirt

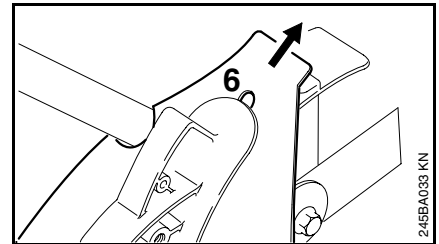
- Loosen the screw (1) on the clamp (2) and slide the clamp back along the drive tube in the direction of the engine.



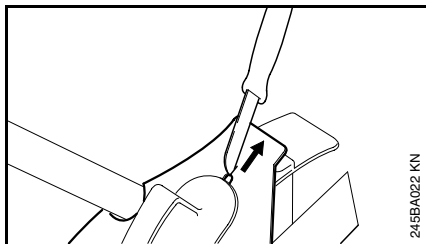
- Release screws (3) on arm (4) and remove together with arm.



- Pull end (5) of skirt out from under the lip on the deflector.

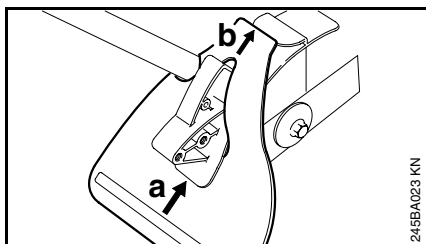


- Pull the skirt upward until the slot (6) is visible.

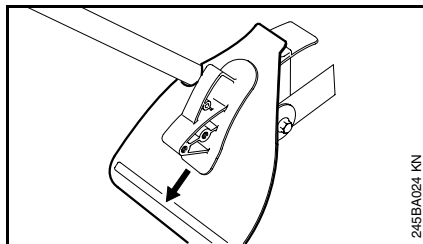


- Use a knife to cut through the skirt, starting at the slot, and then remove the skirt.

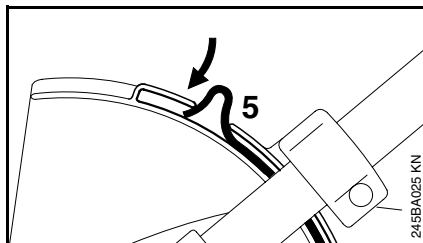
Fitting the skirt



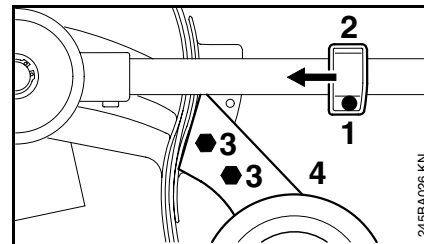
- Starting from the bottom (**a**), fit the skirt in the holder, push it up all the way and pull it (**b**) over the edge of the holder until it slips into position.



- Grip the skirt and pull it down firmly.

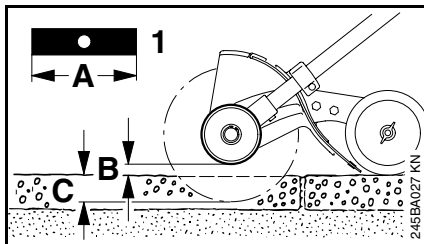


- Push the end (**5**) of the skirt under the lip on the deflector.



- Secure arm (**4**) with screws (**3**), tighten down firmly.
- Slide clamp (**2**) down drive tube in direction of gearbox and tighten the screw (**1**) firmly.

Replacing the Cutting Blade



A bent or cracked blade must not be straightened or welded – it may break completely! Such blades must be replaced (see chapter “Fitting the Cutting Blade”). Only use genuine STIHL cutting blades with part number 4133 713 4101 (marking 33/01).

- Replace the blade (1) when its length (A) is no longer sufficient to maintain the necessary ground clearance (B) and obtain the required depth of cut (C).
To avoid out-of-balance:
check cutting blade on STIHL balancer 5910 850 2600.

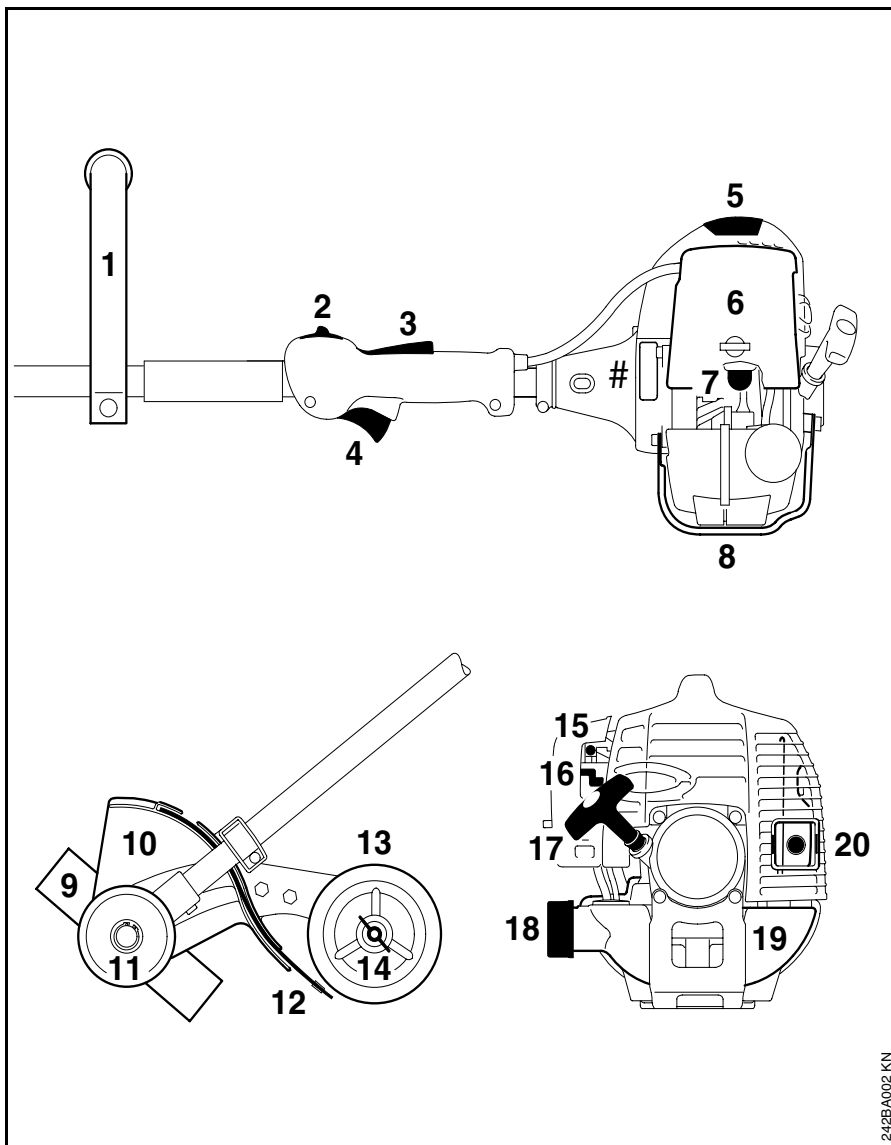
Do not sharpen the blade!

Maintenance Chart

The following maintenance intervals only apply for normal operating conditions. The specified intervals must be shortened accordingly when working for longer than normal or under difficult cutting conditions (very dusty, hard ground, etc.).		Before starting work	After finishing work or daily	After each refuelling stop	Weekly	Monthly	every 12 months	If problem	If damaged	As required
Complete machine	Visual inspection (condition, leaks)	X		X						
	Clean		X							
Control handle	Check operation	X		X						
Air filter	Clean							X		X
	Replace								X	
Filter in fuel tank	Inspect							X		
	Replace						X		X	X
Fuel tank	Clean							X		X
Carburetor	Check idle adjustment – blade must not rotate	X		X						
	Readjust idle									X
Spark plug	Readjust electrode gap							X		
Cooling air intake	Visual inspection		X							
	Clean									X
Spark arresting screen* in muffler	Check		X					X		
	Clean or replace								X	X
All accessible screws and nuts (not adjusting screws)	Retighten									X
Anti-vibration element	Have replaced by STIHL dealer							X		
Cutting blade	Visual inspection	X		X						
	Replace								X	
	Check tightness of blade	X		X						
Wear indicator for gearbox	Inspect	X								
	Replace									X
Gearbox lubrication	Check				X					
	Replenish									X

* see "Guide to Using this Manual"

Parts and Controls



- 1 Loop handle
- 2 Slide control
- 3 Throttle trigger interlock
- 4 Throttle trigger
- 5 Spark plug boot
- 6 Air filter cover
- 7 Fuel pump
- 8 Machine support
- # Serial number

- 9 Cutting blade
- 10 Deflector
- 11 Gearbox wheel
- 12 Skirt
- 13 Depth wheel
- 14 Wingnut
- 15 Carburetor adjusting screw
- 16 Choke lever
- 17 Starter grip
- 18 Fuel filler cap
- 19 Fuel tank
- 20 Spark arresting screen* in muffler

* see chapter "Symbols Used in this Manual"

Definitions

1. **Loop Handle.**
For easy control of machine during cutting work.
2. **Slide Control.**
Starting throttle lock and stop switch. Keeps the throttle partially open during starting and switches the engine's ignition off and stops the running engine.
3. **Throttle Trigger Interlock.**
Must be depressed before the throttle trigger can be activated.
4. **Throttle Trigger.**
Controls the speed of the engine.
5. **Spark Plug Boot.**
Connects the spark plug to the ignition wire.
6. **Air Filter Cover.**
Covers the air filter element.
7. **Fuel Pump.**
Provides additional fuel feed for a cold start.
8. **Machine Support.**
For resting machine on the ground.
9. **Cutting Blade.**
Metal cutting blade for cutting weeds and soft green plants.
10. **Deflector.**
The deflector is designed to reduce the risk of injury from foreign objects flung backwards toward the operator by the cutting tool and from contact with the cutting tool.
11. **Gearbox Wheel.**
Designed to help protect the gearbox housing from wear.
12. **Skirt.**
The skirt is designed to reduce the risk of injury from foreign objects flung backwards toward the operator by the cutting tool.
13. **Depth Wheel.**
Deflector-mounted depth wheel rolls on ground and keeps edger's cutting blade at preset height for required depth of cut.
14. **Wingnut.**
Must be loosened to shift the wheel to adjust the depth of cut.
15. **Carburetor Adjusting Screw.**
For tuning the carburetor.
16. **Choke Lever.**
Eases engine starting by enriching mixture.
17. **Starter Grip.**
The grip of the pull starter, which is the device to start the engine.
18. **Fuel Filler Cap.**
For closing the fuel tank.
19. **Fuel Tank.**
For fuel and oil mixture.
20. **Spark Arresting Screen in Muffler.**
Attenuates exhaust noises and diverts exhaust gases away from operator. The spark arresting screen is designed to reduce the risk of fire.

Specifications

Engine

EPA:

The Emission Compliance Period referred to on the Emissions Compliance Label indicates the number of operating hours for which the engine has been shown to meet Federal emission requirements.

Category A = 300 hours, B = 125 hours, C = 50 hours

CARB:

The Emission Compliance Period used on the CARB-Air Index Label indicates the terms:

Extended = 300 hours,
Intermediate = 125 hours,
Moderate = 50 hours

Single cylinder two-stroke engine

Displacement: 1.55 cu.in
(25.4 cm³)

Bore: 1.34 in (34 mm)

Stroke: 1.10 in (28 mm)

Engine power
to ISO 8893: 1.3 HP (0.95 kW)

Idle speed: 3,000 rpm

Ignition System

Type: Electronic magneto ignition

Spark plug
(suppressed): NGK CMR 7 A

Electrode gap: 0.020 in (0.5 mm)

Spark plug thread: M 10 x 1.0;
0.37 in (9.5 mm)

Fuel System

Carburetor: All position diaphragm carburetor with integral fuel pump

Air filter: Foam element
and metal screen

Fuel tank capacity: 24 fl.oz (0.7 L)

Fuel mix: see chapter
"Fuel"

Weight

with deflector and
blade 14.8 lb (6.7 kg)

Special Accessories

Blade 8" (200 mm) 4133 713 4101

Skirt 4137 740 2800

Wear indicator for
gearbox 4137 713 4501

Safety glasses
Shoulder strap
Combination wrench
Offset screwdriver

STIHL balancer 5910 850 2600

Wheels

Depth wheel 4133 712 1000

Gearbox wheel 4137 712 1001

STIHL gear lubricant for brushcutters


3 oz (80 g) tube 0781 120 1117

8 oz (225 g) tube 0781 120 1118

Maintenance and Repairs

The user of this unit should carry out only the maintenance operations described in this manual. Other repair work may be performed only by an authorized STIHL dealer.

Warranty claims following repairs can be accepted only if the repair has been performed by an authorized STIHL dealer using original STIHL replacement parts.

Original STIHL parts can be identified by the STIHL part number, the **STIHL** logo and the STIHL parts symbol . The symbol may appear alone on small parts.

Quality Certification



All STIHL products comply with the highest quality standards.

An independent organization has certified that all products manufactured by STIHL meet the strict requirements of the ISO 9001 standard for quality management systems in terms of product development, materials purchasing, production, assembly, documentation and customer service.

STIHL Incorporated Federal and California Emission Control Warranty Statement

Your Warranty Rights and Obligations

The U.S. Environmental Protection Agency (EPA), the California Air Resources Board (CARB) and STIHL Incorporated are pleased to explain the Emission Control System Warranty on your model year 2000 and later equipment type engine. In California, new small off-road engines must be designed, built and equipped to meet the State's stringent anti-smog standards. In other states, new 1997 and later model year small off-road equipment engines must be designed, built and equipped, at the time of sale, to meet the U.S. EPA regulations for small non road engines. The equipment engine must be free from defects in materials and workmanship which cause it to fail to conform with U.S. EPA standards for the first two years of engine use from the date of sale to the ultimate purchaser.

STIHL Incorporated must warrant the emission control system on your small off-road engine for the period of time listed below provided there has been no abuse, neglect or improper maintenance of your small off-road equipment engine.

Your emission control system includes parts such as the carburetor and the ignition system. Also included may be hoses, and connectors and other emission related assemblies.

Where a warrantable condition exists, STIHL Incorporated will repair your small off-road equipment engine at no cost to you, including diagnosis (if the diagnostic work is performed at an authorized dealer), parts, and labor.

Manufacturer's Warranty Coverage:

The small off-road equipment engines are warranted for two years in California. In other states, 1997 and later model year small off-road equipment engines are also warranted for two years. If any emission-related part on your engine is defective, the part will be repaired or replaced by STIHL Incorporated free of charge.

Owner's Warranty Responsibilities:

As the small off-road equipment engine owner, you are responsible for the performance of the required maintenance listed in your owner's manual. STIHL Incorporated recommends that you retain all receipts covering maintenance on your small off-road equipment engine, but STIHL Incorporated cannot deny warranty solely for the lack of receipts or for your failure to ensure the performance of all scheduled maintenance.

Any replacement part or service that is equivalent in performance and durability may be used in non-warranty maintenance or repairs, and shall not reduce the warranty obligations of the engine manufacturer.

As the small off-road equipment engine owner, you should be aware, however, that STIHL Incorporated may deny your warranty coverage if your small off-road equipment engine or a part has failed due to abuse, neglect, improper maintenance or unapproved modifications.

You are responsible for presenting your small off-road equipment engine to a STIHL service center as soon as a problem exists. The warranty repairs will be completed in a reasonable amount of time, not to exceed 30 days. If you have any questions regarding your warranty rights and responsibilities, please contact a STIHL customer service representative at 1-800-467-8445 or you can write to STIHL Inc., 536 Viking Drive, P.O. Box 2015, Virginia Beach, VA 23450-2015.

Coverage by STIHL Incorporated

STIHL Incorporated warrants to the ultimate purchaser and each subsequent purchaser that your small off-road equipment engine will be designed, built and equipped, at the time of sale, to meet all applicable regulations. STIHL Incorporated also warrants to the initial purchaser and each subsequent purchaser that your engine is free from defects in materials and workmanship which cause the engine to fail to conform with applicable regulations for a period of two years.

Warranty Period

The warranty periods will begin on the date the utility equipment engine is purchased by the initial purchaser and you have signed and sent back the warranty card to STIHL. If any emission related part on your engine is defective, the part will be replaced by STIHL Incorporated at no cost to the owner. Any warranted part which is not scheduled for replacement as required maintenance, or which is scheduled only for regular inspection to the effect of "repair or replace as necessary" will be warranted for the warranty period. Any warranted part which is scheduled for replacement as required maintenance will be warranted for the period of time up to the first scheduled replacement point for that part.

Diagnosis

You, as the owner, shall not be charged for diagnostic labor which leads to the determination that a warranted part is defective. However, if you claim warranty for a component and the machine is tested as non-defective, STIHL Incorporated will charge you for the cost of the emission test.

Mechanical diagnostic work will be performed at an authorized STIHL servicing dealer. Emission test may be performed either at STIHL Incorporated or at any independent test laboratory.

Warranty Work

STIHL Incorporated shall remedy warranty defects at any authorized STIHL servicing dealer or warranty station. Any such work shall be free of charge to the owner if it is determined that a warranted part is defective. Any manufacturer-approved or equivalent replacement part may be used for any warranty maintenance or repairs on emission-related parts and must be provided without charge to the owner. STIHL Incorporated is liable for damages to other engine components caused by the failure of a warranted part still under warranty.

The California Air Resources Board's Emission Warranty Parts List specifically defines the emission-related warranted parts. These warranted parts are:

Carburetor
Choke (Cold start enrichment system)
Intake manifold
Air filter
Spark plug
Magneto or electronic ignition system (ignition module)
Catalytic converter (if applicable)
Fasteners

Where to make a claim for Warranty Service

Bring the product to any authorized STIHL servicing dealer and present the signed warranty card.

Maintenance Requirements

The maintenance instructions in this manual are based on the application of the recommended 2-stroke fuel-oil mixture (see also instruction "Fuel"). Deviations from this recommendation regarding quality and mixing ratio of fuel and oil may require shorter maintenance intervals.

Limitations

This Emission Control Systems Warranty shall not cover any of the following:

- repair or replacement required because of misuse, neglect or lack of required maintenance,
 - repairs improperly performed or replacements not conforming to STIHL Incorporated specifications that adversely affect performance and/or durability, and alterations or modifications not recommended or approved in writing by STIHL Incorporated,
- and
- replacement of parts and other services and adjustments necessary for required maintenance at and after the first scheduled replacement point.

Contenido

Permita que solamente las personas que comprenden la materia tratada en este manual manejen su orilladora. Para obtener el rendimiento y satisfacción máximos de la orilladora STIHL, es importante leer y comprender las instrucciones de mantenimiento y las precauciones de seguridad antes de usarla.

Comuníquese con el concesionario o distribuidor de STIHL si no se entiende alguna de las instrucciones dadas en el presente manual.

Advertencia

Dado que la orilladora es una herramienta de corte motorizada de gran velocidad, es necesario tomar medidas especiales de seguridad para reducir el riesgo de lesiones.

El uso descuidado o inadecuado puede causar lesiones graves e incluso mortales. Asegúrese que su máquina esté equipada con el deflector y mango adecuados para el tipo de accesorio de corte que se está utilizando. Siempre protéjase adecuadamente los ojos.

La filosofía de STIHL es mejorar continuamente todos sus productos. Como resultado de ello, periódicamente se introducen cambios de diseño y mejoras. Si las características de funcionamiento o la apariencia de su orilladora difieren de las descritas en este manual, comuníquese con el concesionario STIHL para obtener la información y ayuda que requiera.

Guía para el uso de este manual ...	38
Medidas de seguridad	39
Técnicas de trabajo	48
Montaje del mango tórico	50
Colocación de la cuchilla	51
Combustible	52
Llenado de combustible	52
Arranque / parada del motor	53
Instrucciones de manejo	56
Limpieza del filtro de aire	56
Manejo del motor	57
Ajuste del carburador	57
Chispero en silenciador	58
Revisión de la bujía	59
Lubricación de la caja de engranajes	60
Cuerda de arranque	61
Almacenamiento de la máquina	61
Sustitución de la rueda reguladora de profundidad /rueda de caja de engranajes	61
Sustitución de la faldilla	62
Sustitución de la cuchilla	64
Tabla de mantenimiento	65
Piezas y controles	66
Especificaciones	68
Accesorios especiales	68
Mantenimiento y reparación	69
Homologación de calidad	69
Declaración de garantía de STIHL Incorporated sobre sistemas de control de emisiones según normas Federales y del Estado de California	70

Guía para el uso de este manual

Pictogramas

Todos los pictogramas que se encuentran en la máquina se muestran y explican en este manual.

Las instrucciones de uso y manipulación vienen acompañadas de ilustraciones.

Símbolos en el texto

Los pasos individuales o procedimientos descritos en el manual pueden haberse marcado en diferentes maneras:


- Paso o procedimiento sin referirse directamente a una ilustración.


Descripción del paso o procedimiento que se refiere directamente a la ilustración y contiene los números de referencia que aparecen en la ilustración.


Ejemplo:


Suelte el tornillo **(1)**
Palanca **(2)** ...

Además de las instrucciones de manejo, en este manual pueden encontrarse párrafos a los que usted debe prestar atención especial. Tales párrafos están marcados con los símbolos que se describen a continuación.

 Advertencia donde existe el riesgo de un accidente o lesiones personales o daños graves al equipo.

 Advertencia donde existe el riesgo de dañar la herramienta motorizada o los componentes individuales.

 Nota o sugerencia que no es esencial para el uso de la herramienta motorizada, pero puede ayudar al operador a comprender mejor la situación y mejorar su manera de manejar la herramienta.

 Nota o sugerencia sobre el procedimiento correcto con el fin de evitar dañar el medio ambiente.

★ Equipo y características

Este manual de instrucciones abarca varios modelos con diferentes características. Los componentes que no se encuentran instalados en todos los modelos y aplicaciones correspondientes, están marcados con un * . Esos componentes son ofrecidos como accesorios especiales por el concesionario STIHL.

Mejoramientos técnicos

La filosofía de STIHL es mejorar continuamente todos sus productos. Como resultado de ello, periódicamente se introducen cambios de diseño y mejoras. Si las características de funcionamiento o la apariencia de su máquina difieren de las descritas en este manual, comuníquese con el concesionario STIHL para obtener la ayuda que requiera.

Medidas de seguridad



Advertencia

Dado que la orilladora es una herramienta de corte motorizada que funciona a gran velocidad, es necesario tomar medidas especiales de seguridad para reducir el riesgo de lesiones.



Es importante que usted lea, comprenda bien y respete las siguientes advertencias y medidas de seguridad. Guarde este manual del usuario y lea las instrucciones de seguridad periódicamente. Familiarícese completamente con los controles y con el modo de empleo adecuado del equipo. Sepa cómo apagar la máquina y desengranar los controles con rapidez. El uso descuidado o inadecuado de cualquier orilladora puede causar lesiones graves e incluso mortales.

Pida a su concesionario STIHL que le enseñe el manejo de la orilladora. Respete todas las disposiciones, reglamentos y normas de seguridad locales del caso.

⚠ Advertencia

El uso de cualquier orilladora puede ser peligroso. Si la herramienta de corte giratoria llega a quedar en contacto con su cuerpo, le ocasionará una cortadura. Cuando choca con algún objeto extraño sólido tal como rocas o pedazos de metal, puede arrojarlo directamente o

por rebote en dirección de personas que se encuentren en la cercanía o del operador.

El contacto con dichos objetos puede dañar los accesorios de corte y puede hacer que las cuchillas se rompan, astillen o agrieten. Los objetos arrojados o las cuchillas dañadas pueden provocar lesiones graves o mortales al operador o a personas que se encuentren en su proximidad.

⚠ Advertencia

Nunca permita a los niños que usen una orilladora. No se debe permitir la proximidad de otros, especialmente niños y animales, donde se esté utilizando la orilladora.

Nunca deje la orilladora funcionando sin vigilancia.

⚠ Advertencia

No preste ni alquile nunca su orilladora sin el manual del usuario. Asegúrese que todas las personas que utilicen su orilladora lean y comprendan la información contenida en este manual.

La mayoría de las medidas de seguridad y avisos contenidos en este manual se refieren al uso de todas las orilladoras de STIHL. Los distintos modelos pueden contar con piezas y controles diferentes. Vea la sección correspondiente de su manual del usuario para tener una descripción de los controles y la función de cada componente de su modelo de orilladora.

El uso seguro de una orilladora atañe a

1. el operador
2. la orilladora
3. el uso de la orilladora.

¡Guarde estas instrucciones!

EL OPERADOR

Condición física

Usted debe estar en buenas condiciones físicas y psíquicas y no encontrarse bajo la influencia de ninguna sustancia (drogas, alcohol, etc.) que le pueda restar visibilidad, destreza o juicio. No maneje la orilladora cuando está fatigado.

Esté alerta. Si se cansa durante el manejo de su orilladora, tómese un descanso. El cansancio puede provocar una pérdida del control. El uso de cualquier orilladora es fatigoso. Si usted padece de alguna dolencia que pueda ser agravada por la fatiga, consulte a su médico antes de utilizar la orilladora.

Advertencia

El uso prolongado de una orilladora (u otras máquinas) expone al operador a vibraciones que pueden provocar el fenómeno de Raynaud (dedos blancos) o el síndrome del túnel del carpio. Estas condiciones reducen la capacidad de las manos de sentir y regular la temperatura, producen entumecimiento y ardor y pueden provocar trastornos nerviosos y circulatorios, así como necrosis de los tejidos.

No se conocen todos los factores que contribuyen a la enfermedad de Raynaud, pero el clima frío, el fumar y las enfermedades o condiciones físicas que afectan los vasos sanguíneos y la circulación de la sangre, como asimismo los niveles altos de vibración y períodos prolongados de exposición a la vibración son mencionados como factores en el desarrollo de la enfermedad de Raynaud. Por lo tanto, para reducir el riesgo de la enfermedad de dedos blancos y del síndrome del túnel del carpio, sírvase notar lo siguiente:

- La mayor parte de las herramientas motorizadas de STIHL se ofrecen con un sistema antivibración ("AV") cuyo propósito es reducir la transmisión de las vibraciones creadas por el motor a las manos del operador. Se recomienda el uso del sistema AV a aquellas personas que utilizan herramientas motorizadas en forma constante y regular.

- Use guantes y mantenga las manos abrigadas.
- Mantenga el sistema AV en buen estado. Una cortadora de matorrales con componentes flojos o con amortiguadores AV dañados o desgastados también tendrá tendencia a tener niveles más altos de vibración.
- Agarre firmemente los mangos en todo momento, pero no los apriete con fuerza constante y excesiva; tómese descansos frecuentes.

Todas las precauciones antes mencionadas no le garantizan que va a estar totalmente protegido contra la enfermedad de Raynaud o el síndrome del túnel del carpio. Por lo tanto, los operadores constantes y regulares deben controlar con frecuencia el estado de sus manos y dedos. Si aparece alguno de los síntomas arriba mencionados, consulte inmediatamente al médico.

Advertencia

El sistema de encendido de la máquina produce un campo electromagnético de intensidad muy baja. El mismo puede interferir con algunos tipos de marcapasos. Para reducir el riesgo de lesiones graves o mortales, las personas portadoras de marcapasos deben consultar a sus médicos y al fabricante del marcapasos antes de usar esta máquina.

Vestimenta adecuada

Advertencia



El uso de la orilladora puede causar lesiones graves a los ojos, oídos y el cuerpo de una persona. El deflector y la faldilla provistos con la orilladora

no siempre protegen al operador contra todos los objetos extraños (gravilla, vidrio, alambre, etc.) arrojados por el accesorio de corte giratorio. Los objetos arrojados o lanzados por el accesorio también pueden rebotar y golpear al operador. Para reducir el riesgo de lesionarse los ojos, nunca maneje la orilladora si no tiene puestas gafas o anteojos de seguridad bien ajustados con una protección adecuada en las partes superior y laterales que satisfagan la norma ANSI Z 87.1 (o la norma nacional correspondiente).

Para reducir el riesgo de lesionarse la cara, STIHL recomienda usar también una careta o protector facial adecuado sobre las gafas o anteojos de seguridad.

 **Advertencia**



El ruido de la orilladora puede dañar sus oídos. Siempre use amortiguadores del ruido (tapones u orejeras) para protegerse los oídos. Los usuarios constantes y regulares deben someterse con frecuencia a un examen o control auditivo.

Use vestimenta protectora adecuada.



Protéjase las manos con guantes cuando manipule la orilladora y la herramienta de corte. Los guantes gruesos y anti-deslizantes mejoran el manejo y protegen las manos.



La ropa debe ser de confección fuerte y ajustada, pero no tanto que impida la completa libertad de movimiento. Evite el uso de chaquetas sueltas, bufandas, corbatas, joyas, pantalones acampanados o con vueltas, pelo largo suelto o cualquier cosa que pueda engancharse en las ramas, matorrales o piezas en movimiento de la máquina. Use pantalones largos hechos de un material grueso para protegerse las piernas. No vista con pantalones cortos.



Una buena base de apoyo es indispensable cuando se maneja la orilladora. Póngase botas gruesas con suela anti-deslizante. No maneje la orilladora mientras está descalzo o usando sandalias. Recomendamos las botas de seguridad con puntera de acero.



Utilice un casco de seguridad aprobado para reducir el riesgo de lesionarse la cabeza en caso de existir tal tipo de peligro.

LA ORILLADORA

Para las ilustraciones y definiciones de los componentes de la orilladora, vea el capítulo "Piezas y controles".

 **Advertencia**

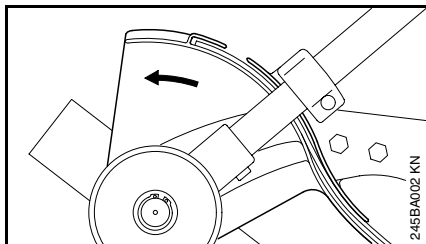
Nunca modifique, de ninguna manera, una orilladora. Utilice únicamente los accesorios y repuestos suministrados por STIHL o expresamente autorizados por STIHL para usarse con los modelos específicos de orilladoras de STIHL. Si bien es posible conectar a su orilladora STIHL ciertos accesorios no autorizados, su uso puede ser, en la práctica, extremadamente peligroso.

USO DE LA ORILLADORA

Transporte de la orilladora

 **Advertencia**

Antes de apoyar la orilladora en el suelo, apague el motor y asegúrese de que el accesorio de corte ha dejado de girar. Cuando transporte la orilladora en un vehículo, sujétela firmemente para impedir su volcadura, el derrame de combustible y el daño a la orilladora.



Preparación para el uso de la orilladora

Ajuste el arnés y la empuñadura de modo correspondiente a su estatura antes de empezar a trabajar. La máquina debe estar debidamente equilibrada según lo especificado en el manual del usuario para obtener un control adecuado y causar menos fatiga al usarla.

Siempre revise la condición y funcionamiento de su orilladora antes de ponerla en marcha, especialmente el gatillo de aceleración, el bloqueo del gatillo de aceleración (y si lo tiene, el interruptor de parada, la herramienta de corte, el deflector y el arnés). Una flecha en el deflector indica el sentido correcto de giro de la cuchilla.

La flecha del deflector siempre debe apuntar en sentido opuesto al operador, de modo que los materiales cortados y la basura sean lanzados en sentido opuesto a la máquina y al operador (vea el capítulo "Técnicas de trabajo").

El gatillo de aceleración debe moverse libremente y siempre debe retornar a la posición de ralentí por la acción de resorte. La herramienta de corte debe estar debidamente apretada y en condiciones de funcionamiento seguro. Busque piezas sueltas (tuercas, tornillos, etc.) y cuchillas agrietadas, dobladas, deformadas o dañadas.

Combustible

La orilladora de STIHL utiliza una mezcla de aceite-gasolina como combustible (vea el capítulo "Combustible" en el manual del usuario).

Advertencia



La gasolina es un combustible muy inflamable. Si se derrama y arde a causa de una chispa u otra fuente de ignición, puede provocar un incendio y quemaduras graves o daños a la propiedad. Tenga sumo cuidado cuando manipule gasolina o la mezcla de combustible.

No fume cerca del combustible, ni acerque ningún fuego o llama al mismo.

No fume cerca del combustible, ni acerque ningún fuego o llama al mismo.

Instrucciones para el llenado de combustible

Cargue de combustible su orilladora en lugares al aire libre bien ventilados. Utilice un envase adecuado para el combustible.

Advertencia

Nunca intente llenar con combustible una máquina cuyo motor esté en marcha o caliente. Dependiendo del combustible utilizado, de las condiciones climáticas y del sistema de ventilación del tanque, es posible que se forme vapor de gasolina a presión dentro del tanque de gasolina de los motores de dos tiempos. Para reducir el riesgo de quemaduras, así como otras lesiones corporales ocasionadas por los escapes de vapor de gasolina y otras emanaciones, quite la tapa de llenado de combustible de la orilladora cuidadosamente de modo que la presión que se pueda haber acumulado en el tanque se disipe lentamente. Nunca quite la tapa de llenado de combustible mientras el motor está funcionando. Elija una superficie despejada para llenar el tanque y aléjese 3 m (10 pies) por lo menos del lugar en que lo haya llenado antes de arrancar el motor. Vuelva a colocar la tapa de llenado de combustible firmemente y compruebe que esté apretada. Limpie los derrames de combustible antes de arrancar la orilladora y compruebe que no existan fugas.

⚠ Advertencia

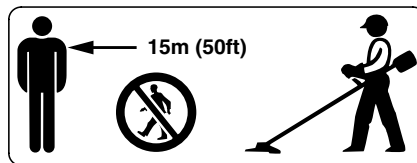
Compruebe que no existan fugas de combustible mientras llena el tanque y durante el funcionamiento de la máquina. Si detecta alguna fuga de combustible o aceite, no arranque el motor ni lo haga funcionar sin antes reparar la fuga y limpiar el combustible derramado. Aléjese al menos 3 m (10 pies) del punto en donde ocurrió una fuga antes de arrancar la máquina. Tenga cuidado de no mancharse la ropa con combustible. Si la mancha, cámbiesela inmediatamente.

⚠ Advertencia

Las vibraciones de la máquina pueden aflojar una tapa de combustible que ha quedado mal apretada, o simplemente soltarla y derramar combustible. Para reducir el riesgo de derrames e incendio, apriete la tapa de combustible a mano con la mayor fuerza posible. Para apretar las tapas con ranura, se puede usar el extremo de destornillador de la llave combinada de STIHL u otra herramienta similar.

Arranque**⚠ Advertencia**

Su orilladora es una máquina que debe ser manejada por solamente una persona.



Una vez que está funcionando, puede arrojar objetos extraños a gran distancia.

Para reducir el riesgo de ocasionar lesiones a los ojos u otras partes del cuerpo, asegúrese que las personas estén a por lo menos 15 m (50 pies) de distancia de la máquina. Apague el motor y la herramienta de corte inmediatamente si se le aproxima alguna persona.

Ponga en marcha y maneje su orilladora sin ayuda de nadie. Para las instrucciones específicas de arranque, vea la sección correspondiente en el manual del usuario.

Coloque la orilladora sobre suelo firme u otra superficie sólida en un lugar abierto. Mantenga buen equilibrio con los pies bien apoyados. Para reducir el riesgo de lesiones debido a la pérdida de control, esté absolutamente seguro que la herramienta de corte se encuentra lejos de su cuerpo y de todas las obstrucciones y objetos, incluido el suelo, porque al arrancar el motor acelerado, su velocidad será lo suficientemente rápida para que el embrague se engrane y haga girar la herramienta de corte.

Cuando tire del mango de arranque, no enrolle la cuerda de arranque alrededor de la mano. No deje que el mango vuelva por sí solo a su posición original, sino guíe lentamente la cuerda para que se enrolle correctamente. Si no ejecuta este procedimiento puede lastimarse la mano o los dedos y también dañar el mecanismo de arranque.

Condiciones de trabajo

Maneje y arranque su orilladora exclusivamente al aire libre y en un lugar bien ventilado.

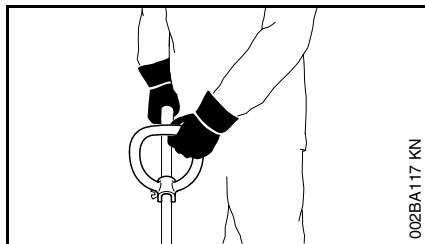
⚠ Advertencia

Su orilladora emite gases de escape tóxicos apenas el motor empieza a funcionar. Estos gases (por ej., monóxido de carbono) pueden ser incoloros e inodoros. Para reducir el riesgo de sufrir lesiones graves o mortales por respirar gases tóxicos, nunca haga funcionar la orilladora puertas adentro o en lugares mal ventilados.

⚠ Advertencia

El uso de este producto puede generar polvo y vapores que contienen productos químicos considerados como causantes de enfermedades respiratorias, cáncer, defectos de nacimiento u otra toxicidad reproductora. Si usted desconoce los riesgos asociados con el polvo o vapor en cuestión, consulte con su empleador, autoridades gubernamentales tales como OSHA y NIOSH y otras fuentes de información sobre materiales peligrosos. Por ejemplo, el estado de California y algunas otras autoridades han publicado varias listas de sustancias carcinógenas, de toxicidad reproductora, etc.

Siempre que sea posible, controle el polvo y los vapores en su punto de origen. Al respecto, emplee buenas prácticas de trabajo y siga las recomendaciones de OSHA/NIOSH y asociaciones laborales y comerciales. Cuando sea imposible eliminar la inhalación del polvo o vapores tóxicos, el operador y las personas que se encuentren en la cercanía siempre deberán usar un respirador aprobado por NIOSH/MSHA para el tipo de polvo y/o vapores presentes en el lugar.



002BA117 KN

Maneje la orilladora solamente cuando tenga buena visibilidad y a la luz del día. Trabaje con mucho cuidado.

Siempre sujete la orilladora firmemente con ambas manos. Cierre firmemente los dedos alrededor de los mangos, manteniéndolos bien apoyados entre el pulgar y dedo índice. Mantenga las manos en esta posición, para que siempre tenga la orilladora bien controlada.

Asegúrese que los mangos de la orilladora y el mango de arranque están en buenas condiciones y sin humedad, resina, aceite o grasa.

⚠ Advertencia

Nunca intente manejar ninguna orilladora con una sola mano. La pérdida de control de la orilladora puede ocasionar lesiones graves o mortales.

Se debe tener cuidado especial cuando las condiciones del suelo son resbaladizas (suelo húmedo, nieve) y en terreno difícil y con mucha vegetación. Para evitar tropezarse, esté atento a los obstáculos ocultos tales como tocones, raíces y zanjas.

Esté atento a las aceras desparejas, agujeros en el terreno y otras condiciones similares al usar la orilladora. Siempre avance lentamente sobre suelo irregular. No abuse de la orilladora.

⚠ Advertencia



Antes de cortar, inspeccione el área en busca de piedras, vidrio, pedazos de metal, basura u otros objetos sólidos y retírelos.

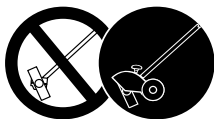
El accesorio de corte puede arrojar los objetos de esta clase y causar lesiones personales.

No utilice la orilladora en superficies con grava.

⚠ Advertencia

Nunca desvíe la descarga del material hacia otras personas, ni permita que persona alguna se acerque a la zona de trabajo.

Tenga sumo cuidado al dirigir la descarga del material para evitar que se golpeen objetos de vidrio, automóviles y objetos similares.

⚠ Advertencia

Para reducir el riesgo de lesiones causadas por objetos arrojados y contacto con la

cuchilla, nunca maneje la orilladora sin que tenga instalados debidamente el deflector y la faldilla. No trate de alcanzar más lejos de lo debido. Mantenga los pies bien apoyados y equilibrados en todo momento.

⚠ Advertencia

Para reducir el riesgo de contacto con la cuchilla, mantenga las manos y los pies lejos de la zona de corte.

⚠ Advertencia

La orilladora normalmente se usa a nivel del suelo con el accesorio de corte perpendicular al suelo. El uso de la orilladora sobre el nivel del suelo o con el accesorio de corte paralelo al suelo puede incrementar el riesgo de lesiones, dado que el accesorio de corte queda casi totalmente expuesto y la orilladora es más difícil de controlar. No use nunca la orilladora para recortar setos.

⚠ Advertencia

Cuando utilice la orilladora, evite cortar cerca de vallas, edificios, tocones, piedras u otros objetos de ese tipo que puedan causar contragolpe de la orilladora o daños a la cuchilla.

Además, tenga cuenta que en estos casos aumenta el riesgo de que ocurran rebotes. Si la orilladora choca contra un objeto extraño, siga los pasos dados a continuación: Apague el motor, desconecte el cable de la bujía, busque daños en la máquina y repárelos antes de volver a arrancar y usar este producto.

No la maneje usando el bloqueo de acelerador de arranque, pues no tendrá control de la velocidad del motor. Vea la sección en su manual del usuario sobre el uso correcto del control deslizante.

Si la herramienta de corte o el deflector se atasca o queda pegado, siempre apague el motor, desconecte el cable de la bujía y asegúrese que la herramienta de corte está detenida antes de limpiarla. Mantenga el cable alejado de la bujía para evitar el riesgo del arranque accidental del motor. Limpie el pasto, las malezas, etc. de la herramienta de corte en intervalos regulares.

⚠ Advertencia

Durante el corte, revise el apriete y la condición de la herramienta de corte en intervalos regulares. Si nota un cambio en el comportamiento de la herramienta, apague el motor inmediatamente, y revise el apriete de la tuerca que sujeta la herramienta y busque si hay grietas y daños en la herramienta de corte.

Si la orilladora vibra de modo anormal, apague el motor de inmediato y busque la causa de ello. La vibración generalmente es una señal de averías. Cambie inmediatamente las herramientas de corte que presenten grietas, torceduras, combadura, daños desgaste excesivo o que no tengan filo. Las herramientas en esas condiciones pueden romperse a alta velocidad y causar lesiones graves o mortales.

⚠ Advertencia

Una cuchilla suelta puede vibrar, agrietarse, romperse o salirse de la orilladora, lo que puede provocar lesiones graves o mortales. Asegúrese de que la cuchilla esté correctamente apretada. Utilice la llave suministrada o cualquier otra que tenga el largo adecuado para obtener el par de apriete adecuado. Si la cuchilla se suelta después de haberla apretado correctamente, deje de manejar la máquina inmediatamente. La tuerca de retención puede estar desgastada o dañada y debe ser sustituida.

No utilice nunca piezas no autorizadas para sujetar la cuchilla. Si no se utilizan las piezas debidas se puede causar el desprendimiento de la cuchilla y lesionar gravemente al operador o a las personas que encuentren en su proximidad. Si la cuchilla continúa floja, consulte al concesionario STIHL. No instale ninguna cuchilla a una máquina sin que todas las piezas requeridas estén correctamente instaladas. No use nunca una orilladora con una cuchilla suelta.

Advertencia

No toque nunca con las manos o cualquier parte del cuerpo una herramienta de corte que está girando. La herramienta sigue girando por un rato después que se suelta el gatillo de aceleración (efecto de volante).

Ajustes importantes

Advertencia

Cuando el ralentí está correctamente regulado, la herramienta de corte no debe girar. Para instrucciones de ajuste del ralentí, vea la sección correspondiente en el manual del usuario.

No utilice la orilladora si su velocidad de ralentí está mal ajustada. Se puede ajustar la velocidad siguiendo las instrucciones dadas en el manual. Si no puede regular correctamente el ralentí, pida a su concesionario STIHL que revise la orilladora y haga los ajustes o reparaciones correspondientes.

Instrucciones de manejo

Utilícela únicamente para orillar pasto, malezas y plantas verdes blandas.

Advertencia

Durante el uso, siga todas las precauciones de seguridad mencionadas en la sección de seguridad de este manual. El uso indebido de cualquier orilladora puede causar lesiones graves o mortales.

Para reducir el riesgo de lesionarse los ojos, siempre use gafas protectoras adecuadas y maneje la máquina desde una posición en la cual los protectores o deflectores bloqueen la trayectoria visual a la herramienta de corte.

Apague el motor toda vez que se abandone la posición de funcionamiento.

Mantenimiento, reparación y almacenamiento

Los trabajos de mantenimiento, reemplazo o reparación de los dispositivos y sistemas de control de emisiones de escape pueden ser realizados por cualquier taller o técnico de motores no diseñados para vehículos. Sin embargo, si usted está reclamando servicio de garantía para algún componente que no ha sido reparado o mantenido debidamente, o cuando se utilizan repuestos no autorizados, STIHL puede denegar la garantía.

Utilice solamente piezas de repuesto de STIHL para el mantenimiento y reparación. La utilización de piezas fabricadas por otras empresas puede causar lesiones graves o mortales.

Siga las instrucciones de mantenimiento y reparación dadas en la sección correspondiente del manual del usuario. Consulte la tabla de mantenimiento en las últimas páginas de este manual.

Advertencia

Siempre apague el motor, desconecte el cable de la bujía y asegúrese que la herramienta de corte está detenida antes de hacer cualquier trabajo de mantenimiento, reparación o limpieza de la orilladora. Mantenga el cable alejado de la bujía para evitar el riesgo del arranque accidental del motor.

Nunca intente hacer ajuste alguno mientras el motor se encuentre en marcha (salvo en caso que así se indique específicamente en este manual).

No intente hacer ningún trabajo de mantenimiento o reparación que no esté descrito en su manual del usuario. Este tipo de trabajo debe realizarse únicamente en el taller de servicio de STIHL. No modifique el gobernador del motor ni ponga el motor en marcha a sobrevelocidad.

Nunca repare los accesorios de corte dañados aplicándoles soldadura, enderezándolos o modificándoles su forma. Esto puede causar el desprendimiento de alguna pieza de la herramienta de corte y producir lesiones graves o mortales.

Revise la condición de la herramienta de corte en intervalos cortos regulares. Si nota algún cambio en el comportamiento de la herramienta, revise inmediatamente el apriete y busque señales de agrietamiento. Sustituya las herramientas de corte dañadas o desafiladas inmediatamente, incluso si tienen sólo alguna grieta superficial.

Revise si la tapa de llenado tiene fugas periódicamente. Use la bujía especificada y asegúrese de que ella y el cable de encendido están en buen estado.

Advertencia

Un silenciador desgastado o dañado constituye un riesgo de incendios y puede causar la pérdida del oído. Compruebe que el silenciador se encuentra en buenas condiciones. No use la orilladora si el silenciador no funciona correctamente o si ha sido retirado. Recuerde que el riesgo de incendios forestales es mayor durante las estaciones calurosas.

Utilice el silenciador con chispero provisto con la máquina. No toque nunca un silenciador caliente, puede quemarse.

Advertencia

Para reducir el riesgo de incendios, no modifique ni retire parte alguna del silenciador ni del chispero.

Apriete todas las tuercas, pernos y tornillos, excepto los tornillos de ajuste del carburador, después de cada uso.

Mantenga apretadas y limpias tanto la bujía como la conexión de su alambre. Revise la separación entre electrodos de la bujía con un calibrador de espesores por lo menos cada 50 horas de funcionamiento y ajústela de ser necesario. Instale una bujía nueva si sus electrodos están muy picados.

Además, es imprescindible seguir el programa de mantenimiento diario indicado en el manual del usuario de la orilladora STIHL.

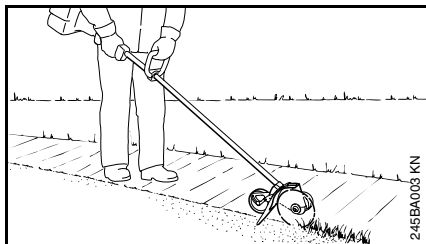
Para todo trabajo de mantenimiento, sírvase consultar la tabla de mantenimiento y **la declaración de garantía** que se encuentra al final de este manual.

Guarde la orilladora en un lugar seco, elevado o con llave, fuera del alcance de los niños.

Antes de guardarla durante un período de más de algunos días, siempre vacíe el tanque de combustible.

Nunca guarde la máquina con combustible en su tanque dentro de un edificio en el cual los vapores puedan alcanzar una llama descubierta o chispas, ni tampoco la guarde en un espacio cerrado tal como el baúl de un automóvil.

Técnicas de trabajo

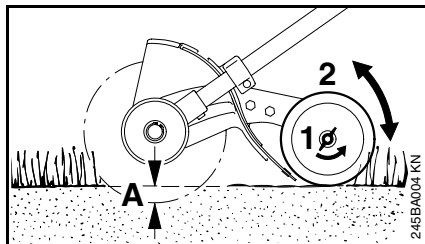


La orilladora ha sido diseñada para formar orillas bien definidas alrededor de prados y jardines de flores. Puede cortar casi todo tipo de pastos, malezas y plantas verdes blandas.

Preparaciones

Si el suelo está muy seco, humidézcalo con agua antes de empezar a trabajar. Esto ablanda el suelo y reduce la cantidad de polvo que se levanta. Las plantas verdes son más fáciles de cortar cuando están húmedas.

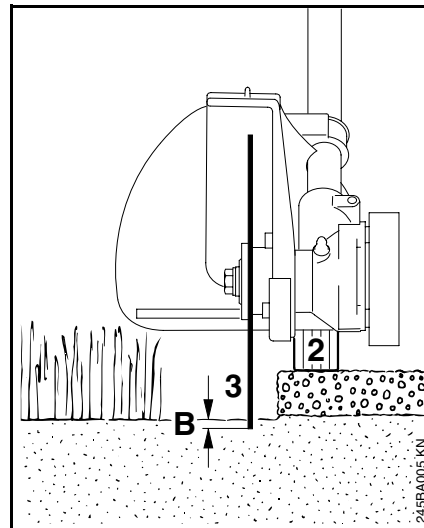
- Inspeccione la zona de trabajo y quite los obstáculos (piedras, grava, vidrio, etc.) para reducir el riesgo de lesiones causadas por objetos lanzados.
- Planifique de antemano la mejor trayectoria para el orillado, es decir, el punto de partida, los cambios de dirección, etc. Siempre sujete y maneje la orilladora hacia el lado derecho de su cuerpo.



Ajuste de la profundidad de corte

- Apague el motor y espere a que la cuchilla de corte se detenga por completo.
- Afloje la tuerca mariposa (1) en sentido contrahorario
- Ajuste la rueda (2):

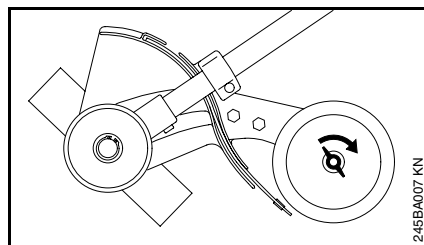
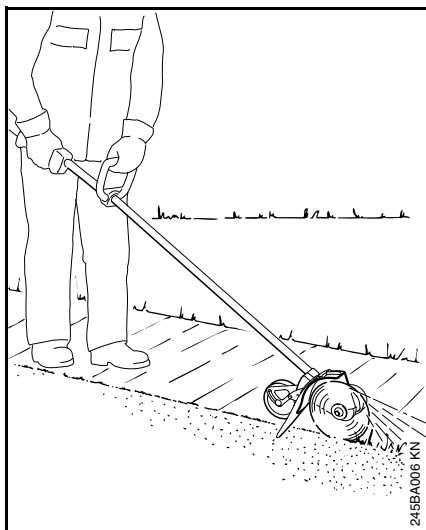
Hacia arriba
para aumentar la profundidad de corte (A).
Hacia abajo
para reducir la profundidad de corte (A).



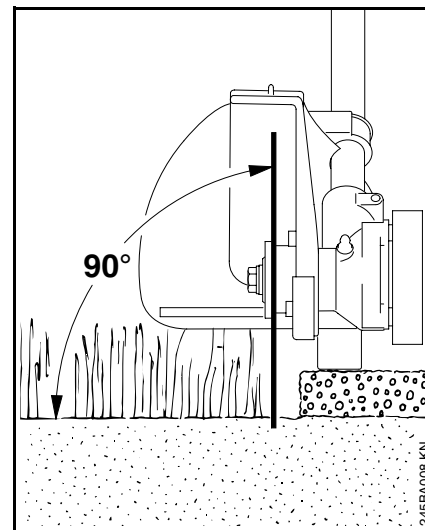
Ajuste correcto

La profundidad de corte varía según las irregularidades del terreno, la altura del operador y la forma de sujetar la orilladora.

- Utilice el procedimiento siguiente:
Ajuste la rueda (2) de modo que la cuchilla (3) apenas toque el suelo o penetre la superficie del suelo por no más de 0,2 pulg / 5 mm (B) en la posición normal de trabajo.



- Apriete la tuerca mariposa en sentido horario.
- Mientras se está parado en la posición de trabajo normal, revise la profundidad de corte nuevamente y ajústela de ser necesario.



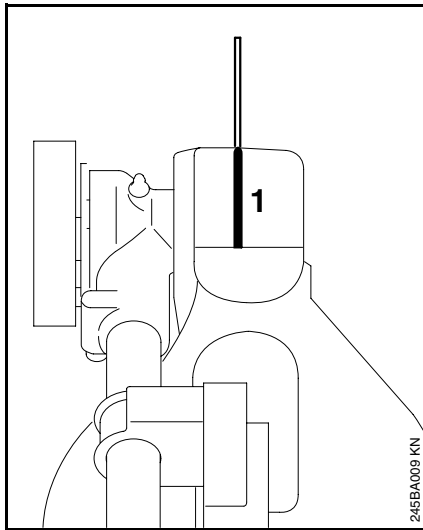
Orillado

- Arranque el motor.
- Inicie el corte con el motor a un valor intermedio de aceleración y continúe el corte a aceleración máxima.
- Sujete la máquina y guíela de modo que la cuchilla esté en posición vertical.
- Haga los cortes de modo uniforme para evitar que la velocidad del motor se reduzca significativamente – ¡No aplique fuerza hacia abajo!
- Camine a un paso normal mientras se corta.
- ¡No empuje la cuchilla para meterla en el suelo!

⚠ ¡No ajuste el deflector!

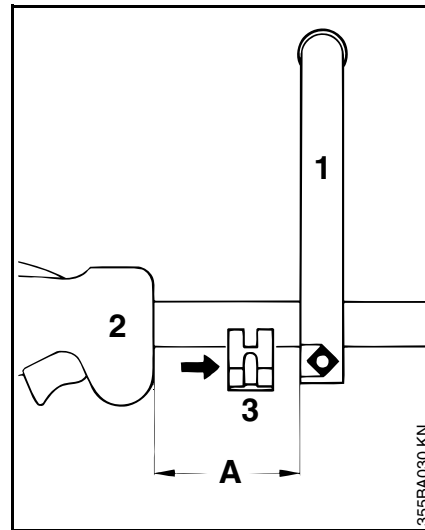
El deflector ha sido ajustado por el fabricante de modo que su flecha y su lado abierto apuntan en sentido opuesto al operador. Esto asegura que el material cortado y la basura sean lanzados en sentido opuesto a la máquina y al operador.

Montaje del mango tórico

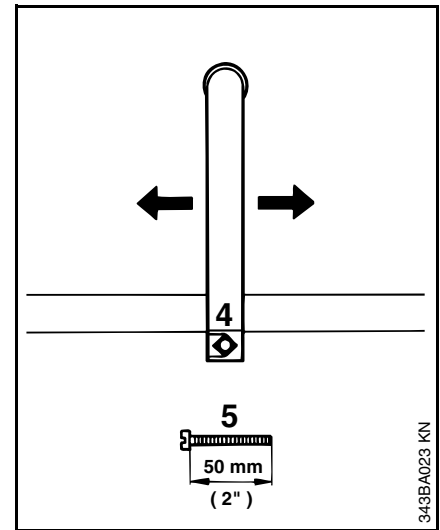


- Siempre camine hacia adelante al cortar, nunca tire de la máquina hacia su persona.
- Corte a un paso uniforme para evitar tener que hacer varias pasadas.

1 = Mira para la cuchilla.



- Fije el mango tórico (1) en el tubo de mando, a aproximadamente 8 pulg / 20 cm (A) delante del mango de control (2).
- Coloque la abrazadera (3) contra el tubo de mando y deslícela hacia el mango tórico.

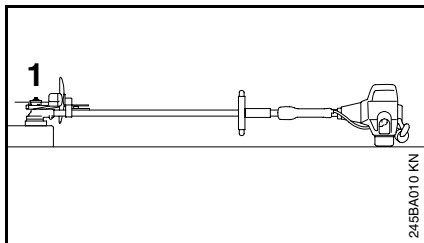


- Instale la tuerca cuadrada (4) en el mango tórico (1), inserte el tornillo (5) por el otro lado y apriételo bien firme.

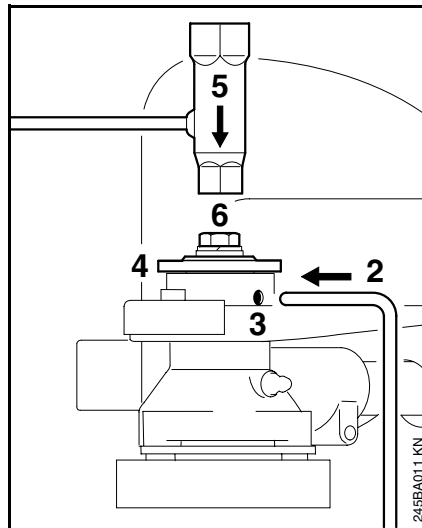
Ajuste del mango tórico a la posición más cómoda:

- Suelte el tornillo de fijación (5).
- Deslice el mango tórico a lo largo del tubo de mando a la posición deseada y vuelva a apretar el tornillo de fijación.

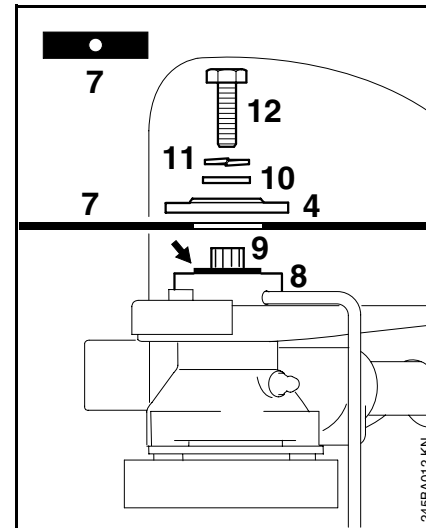
Colocación de la cuchilla



- Coloque la orilladora sobre un soporte adecuado, de modo que el montaje de la cuchilla (1) quede orientado hacia arriba.



- Inserte la llave Allen (2) hasta donde sea posible en la cavidad (3) – empújela levemente y gírela en uno y otro sentido **junto** con la arandela de empuje (4) hasta que el eje impulsor quede bloqueado.
- Aplique la llave combinada (5) al tornillo (6).
- Gire el tornillo en sentido horario (roscas izquierdas) y quítelo.
- Retire el anillo de retención, las arandelas plana y de empuje.



- Coloque la cuchilla (7) en la placa de empuje (8).
- ⚠ El collar (vea la flecha) debe encajar en el agujero en la cuchilla!
- Coloque la arandela de empuje (4) en el eje impulsor (9).
- Bloqueo del eje impulsor.
- Inserte el tornillo (12) con la arandela plana (10) y el anillo de retención (11) en el eje en sentido contrario y apriete bien firme.

Combustible

Este motor está homologado para funcionar con gasolina sin plomo y una proporción de mezcla de 50:1.

El motor de dos tiempos necesita una mezcla de gasolina de buena marca y aceite para motor de dos tiempos de buena calidad **clasificado TC**.

Use gasolina regular sin plomo con un octanaje mínimo de 89 RON. Si el octanaje de la gasolina regular en su zona es más bajo, use gasolina superior sin plomo ("premium"). El combustible de octanaje menor puede producir preencendido (causando detonación) acompañado de un aumento de la temperatura del motor. Esto, a su vez, aumenta el riesgo de agarrotamiento del pistón y daño al motor.

La composición química del combustible también es importante. Algunos aditivos de combustible no solamente son perjudiciales para los elastómeros (diáfragmas del carburador, sellos de aceite, mangueras de combustible, etc.), sino también para las piezas fundidas de magnesio. Esto podría causar problemas de funcionamiento o incluso dañar el motor. Por este motivo es esencial usar únicamente combustibles de buena marca comercial.

En la mezcla, use únicamente aceite de STIHL para motor de dos tiempos o aceites para motor de dos tiempos enfriado por aire con la clasificación TC.

Nosotros recomendamos el aceite 50:1 de STIHL para motor de dos tiempos

porque está especialmente formulado para usarse en motores de STIHL.

No use aceites para mezcla BIA o TCW (dos tiempos enfriado por agua).

Sea precavido cuando trabaje con gasolina. Evite el contacto directo con la piel y evite inhalar el vapor de combustible. Mantenga el recipiente herméticamente cerrado para evitar la entrada de humedad a la mezcla.

Limpie periódicamente el tanque de combustible y el recipiente en que guarda la mezcla de combustible.

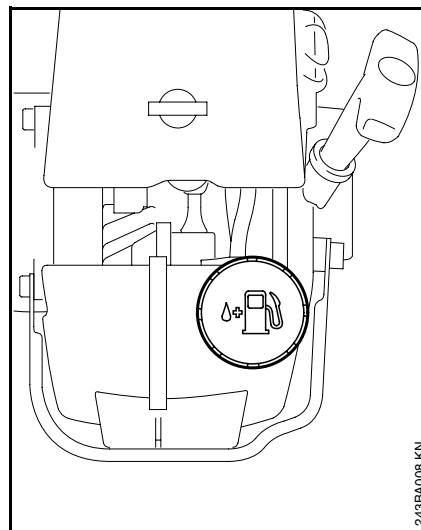
Envejecimiento de la mezcla de combustible

Mezcle únicamente el combustible suficiente para unos pocos días de trabajo, no lo guarde por más de 3 meses. Guárdelo solamente en recipientes especialmente aprobados para combustible. Cuando prepare la mezcla, primero vierta el aceite en el recipiente y después incorpore la gasolina.

Gasolina		Aceite (STIHL 50:1 ó aceites TC de marca comercial equivalentes)	
litros		ml	
(gal. EE.UU.)		(oz. fl. EE.UU.)	
3,8	(1)	6,9	(2,6)
9,5	(2,5)	189,3	(6,4)
18,9	(5)	378,5	(12,8)

Deseche los recipientes vacíos de aceite únicamente en vertederos autorizados.

Llenado de combustible



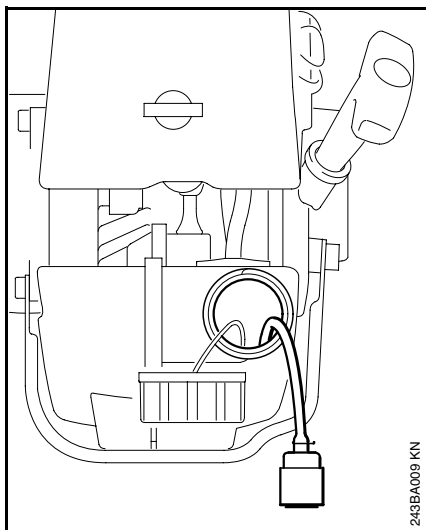
Antes de llenar la máquina con combustible, limpie a fondo la tapa de llenado y la zona alrededor del mismo para evitar la entrada de tierra al tanque.

Siempre agite la mezcla vigorosamente en el recipiente antes de llenar la máquina con combustible.

⚠ Para reducir el riesgo de quemaduras, así como otras lesiones corporales ocasionadas por los escapes de vapor de gasolina y otras emanaciones, quite la tapa de llenado de combustible cuidadosamente de modo que la presión que se pueda haber acumulado en el tanque se disipe lentamente.

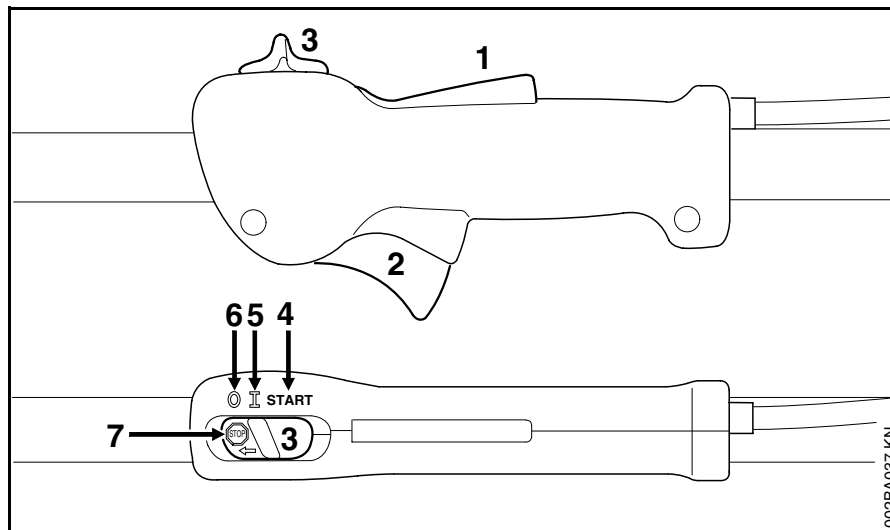
⚠ Después de haber llenado la máquina con combustible, apriete la tapa del tanque **tan firmemente como sea posible** con la mano.

Arranque / parada del motor



Cambie el recogedor de combustible una vez al año.

Antes de almacenar la máquina por un período prolongado, vacíe y limpie el tanque de combustible y ponga el motor en marcha hasta que se seque el combustible del carburador.



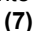
Controles

Bloqueo del gatillo de aceleración (1), gatillo de aceleración (2) y control deslizante (3) con las posiciones:

START (4),

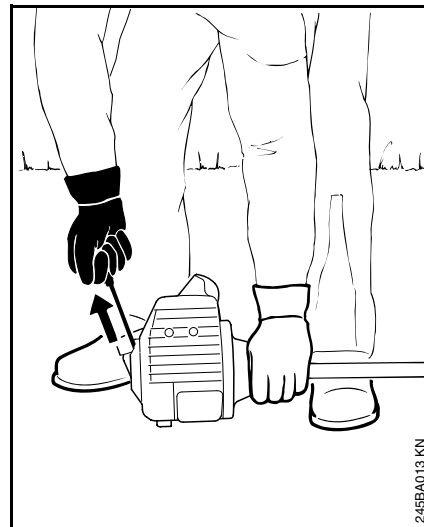
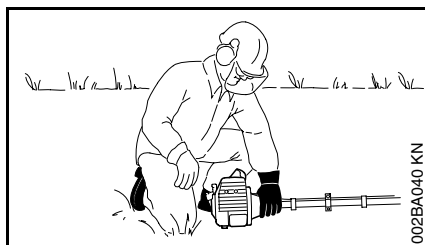
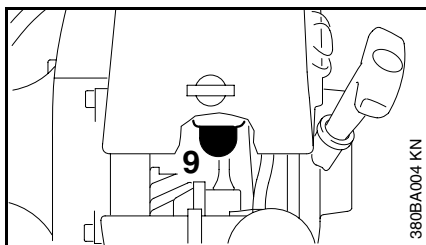
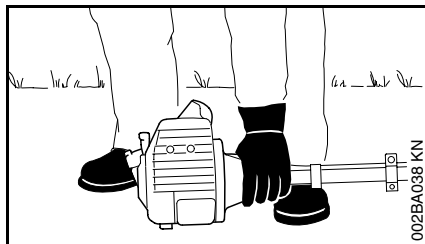
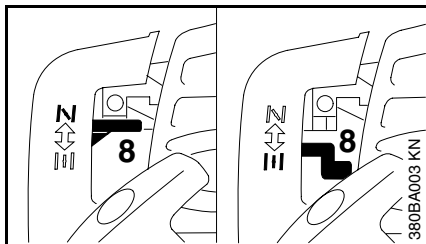
I - marcha normal (5) y

0 - parada (6).



Para apagar el motor: Mueva el control deslizante en el sentido indicado por  (7).

Arranque

- Mantenga oprimido el bloqueo del gatillo y oprima el gatillo de aceleración.
- Mientras sujeta las dos manivelas en esta posición, mueva el control deslizante a la posición **START** y sujételo allí.
- Ahora suelte el gatillo de aceleración, el control deslizante y el bloqueo del gatillo, en el orden indicado. Esta es la **posición de arranque del acelerador**.



- Coloque la palanca del estrangulador (8):

Para arranque en frío en 
 Para arranque en caliente en 

(aunque el motor haya estado funcionando pero todavía esté frío)

- Comprima el bulbo (9) de la bomba de combustible por lo menos cinco veces, aun si contiene combustible - es necesario meter la mano **detrás** de la cubierta del filtro para hacer esto.

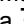
- Coloque la máquina sobre el suelo. Apóyela de modo firme sobre el soporte del motor y el deflector de la herramienta de corte. Verifique que la herramienta de corte no esté tocando el suelo ni ningún otro obstáculo.
- Asegúrese de tener los pies bien apoyados.
- Sujete la máquina con la mano izquierda y empuje hacia abajo **firmemente** - el pulgar debe estar debajo de la caja del ventilador.



No se pare ni se arrodille sobre el tubo de mando. Se podría dañar permanentemente el tubo de mando.

- Con la mano derecha tire lentamente del mango de arranque hasta que sienta una resistencia definitiva y en seguida dele un tirón fuerte y rápido. No tire de la cuerda de arranque totalmente hasta fuera, se podría cortar.
- No deje que el mango de arranque salte bruscamente hacia atrás. Guíelo lentamente hacia el interior de la caja para que la cuerda de arranque se enrolle correctamente.
- **Continúe haciendo girar el motor hasta que arranque.**

Cuando el motor empieza a encenderse:

- Mueva la palanca del estrangulador a  y continúe intentando el arranque del motor.


Tan pronto arranca:

- Oprima el gatillo de aceleración momentáneamente - el control deslizante se desplaza a la posición de marcha **I**, y el motor retorna a aceleración de ralentí.

Asegúrese que el carburador esté correctamente ajustado; la herramienta de corte no debe girar cuando el motor está funcionando a ralentí.

Su máquina está lista para trabajar.

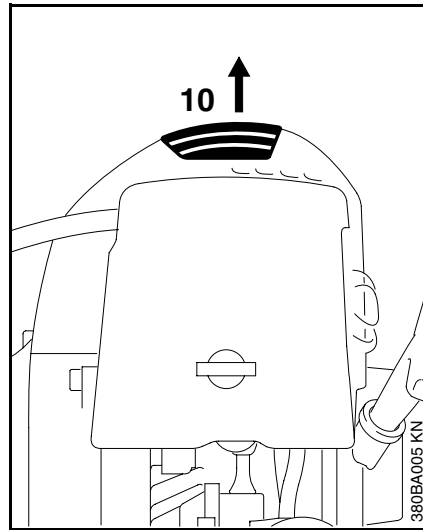
Para apagar el motor:

- Mueva el control deslizante en el sentido indicado por  a **0**.

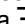
A temperaturas ambiente muy bajas:

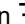
Tan pronto arranca:

- Oprima el gatillo de aceleración momentáneamente para desengranar la posición de arranque del acelerador - el control deslizante se desplaza a la posición de marcha **I**, y el motor retorna a aceleración de ralentí.
- Abra ligeramente el acelerador y deje que el motor se caliente por unos segundos.





Si el motor no arranca:

Si no se movió la palanca del estrangulador a  en un tiempo suficientemente corto después que el motor empezó a encenderse, la cámara de combustión se encuentra "ahogada".

- Ponga la palanca del estrangulador en .
- Ponga el control deslizante, la palanca de bloqueo y el gatillo de aceleración en la posición de arranque
- Haga girar el motor tirando de la cuerda de arranque rápidamente - puede ser necesario tirar de ella de 10 a 20 veces.

Si el motor todavía no arranca:

- Mueva el control deslizante en el sentido indicado por  a **0**
- Quite el casquillo de la bujía (**10**).
- Destornille y seque la bujía.
- Abra el acelerador al máximo.
- Haga girar el motor varias veces con el arrancador para despejar la cámara de combustión.
- Vuelva a instalar la bujía y apriétela a 15 Nm (11 lb-pie) usando la llave combinada.
- Conecte el casquillo de la bujía (empújelo firmemente).
- Mueva el control deslizante a la posición **START**.
- Ponga la palanca del estrangulador en  - aun si el motor está frío.
- Ahora arranque el motor.

Se agotó el combustible en el tanque

- Después de llenar el tanque, oprima el bulbo de la bomba de combustible por lo menos cinco veces, aunque el bulbo esté lleno de combustible.
- Ajuste la palanca del estrangulador según la temperatura del motor.
- Ahora arranque el motor.

Instrucciones de manejo

Durante el período de rodaje

Una máquina nueva no debe hacerse funcionar a velocidad alta (aceleración máxima sin carga) por el lapso que tome llenar el tanque tres veces. Esto evita la imposición de cargas innecesariamente altas durante el período de rodaje.

Puesto que todas las piezas móviles necesitan un período de rodaje, las resistencias causadas por la fricción en el motor son mayores durante este período. El motor desarrolla su potencia máxima después de haber llenado el tanque de 5 a 15 veces.

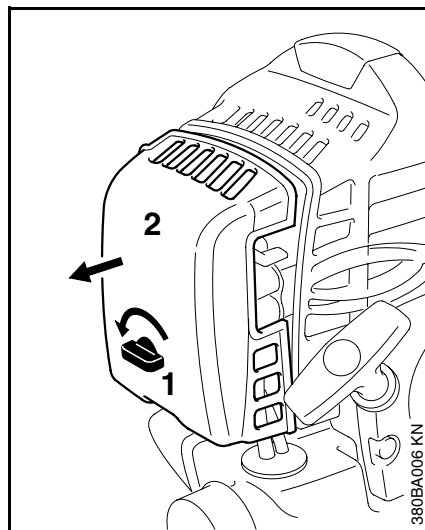
Durante el funcionamiento

Después de un período largo de funcionamiento con el acelerador a fondo, deje funcionar el motor por un rato en ralentí de modo que el calor en el motor sea disipado por la corriente de aire de enfriamiento. Esto ayuda a evitar que los componentes montados en el motor (encendido, carburador) sufran sobrecargas térmicas.

Después de terminar el trabajo

Espere que el motor se enfríe. Vacíe el tanque de combustible. Almacene la máquina en un lugar seco. Revise el apriete de las tuercas y tornillos (no los tornillos de ajuste) periódicamente y vuelva a apretar según sea necesario.

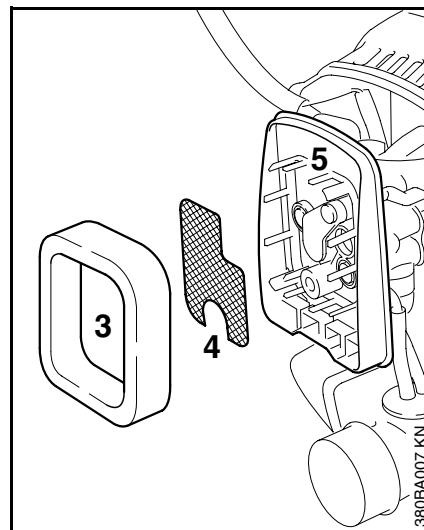
Limpeza del filtro de aire



Los filtros de aire sucios reducen la potencia del motor, aumentan el consumo de combustible y dificultan el arranque del motor.

Si se produce una pérdida notable de potencia del motor:

- Ponga la palanca del estrangulador en I
- Suelte el tornillo (1) y saque la cubierta del filtro (2).
- Limpie toda la suciedad de alrededor del filtro.



- Quite el elemento de espuma (3).
- Quite la rejilla metálica (4) de la caja del filtro (5) **solamente** si está sucia.
- Golpee el elemento del filtro y la rejilla metálica contra la palma de la mano, límpielos con aire comprimido o, de ser necesario, lávelos en una solución no inflamable y limpia (agua tibia con jabón, por ejemplo) y séquelos.

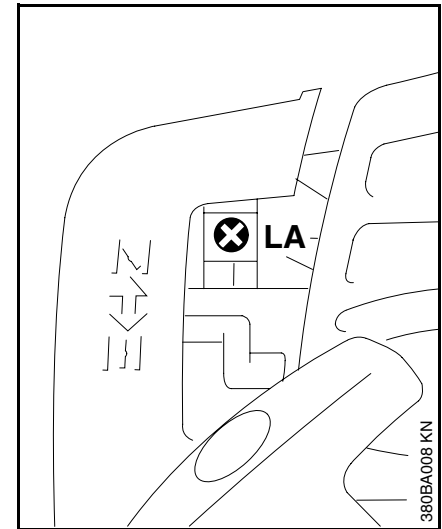
Manejo del motor

Siempre sustituya las piezas dañadas.

- Instale la rejilla metálica en la caja del filtro primero y después el elemento de espuma.
- Cierre la cubierta del filtro y apriete el tornillo.

Las emisiones de gases de escape son controladas por el diseño de parámetros y componentes fundamentales del motor (por ej. carburación, encendido, regulación y regulación de la válvula o lumbrera) sin la adición de ningún equipo importante.

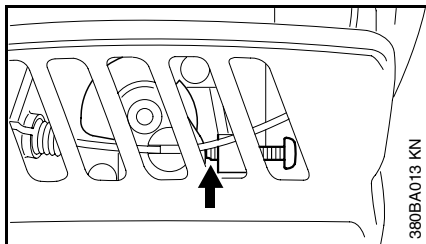
Ajuste del carburador



El carburador se ajusta en la fábrica para garantizar que la mezcla de combustible/aire sea óptima bajo todas las condiciones de trabajo.

Ajuste normal

- Monte la herramienta de corte aprobada.
- Revise el filtro de aire e instale uno nuevo de ser necesario.
- Revise el chispero y límpielo o instale uno nuevo de ser necesario.



- Gire el tornillo de ralentí (**LA**) en sentido contrahorario hasta que su punta (vea la flecha) apenas desaparezca. Después gire el tornillo **seis** vueltas completas en sentido horario.

Ajuste de ralentí

- Lleve a cabo el ajuste normal.
- Arranque el motor y caliéntelo.

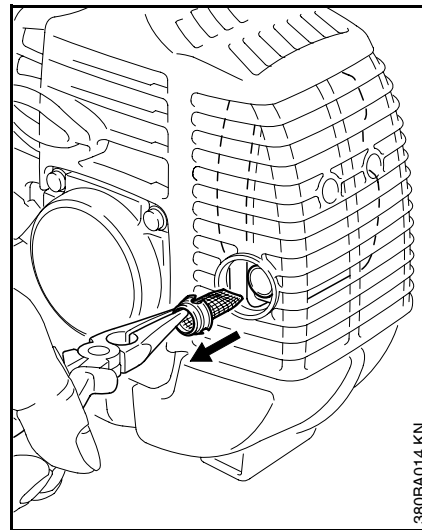
El motor se para durante el funcionamiento a ralentí:

- Gire el tornillo de ajuste de ralentí (**LA**) lentamente en sentido horario hasta que el motor funcione de modo suave - la herramienta de corte no debe girar.

La herramienta de corte gira cuando el motor funciona a ralentí:

- Gire el tornillo de ralentí (**LA**) en sentido contrahorario hasta que la herramienta de corte se detenga y luego gírelo otras **dos vueltas completas** en el mismo sentido (contrahorario) a partir de esa posición.

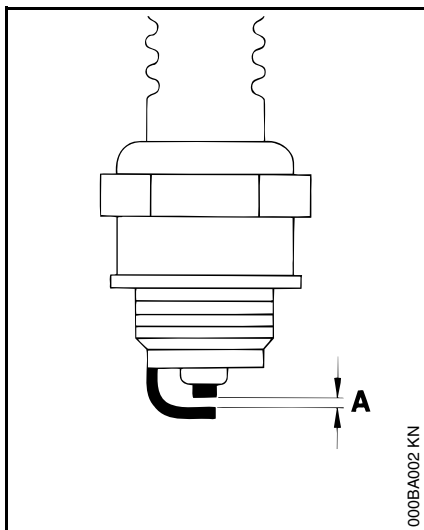
Chispero en silenciador



Si el motor pierde potencia, revise el chispero del silenciador.

- Quite el chispero del extremo corto.
- Limpie el chispero, de ser necesario. Si el chispero está dañado u obstruido, instale uno nuevo.
- Empuje el chispero sobre el extremo corto para instalarlo.

Revisión de la bujía



La mezcla de combustible incorrecta (demasiado aceite de motor en la gasolina), el filtro de aire sucio y condiciones de funcionamiento desfavorables (generalmente a media aceleración, etc.) afectan la condición de la bujía. Estos factores causan la formación de depósitos en la punta del aislador lo que puede dificultar el funcionamiento.

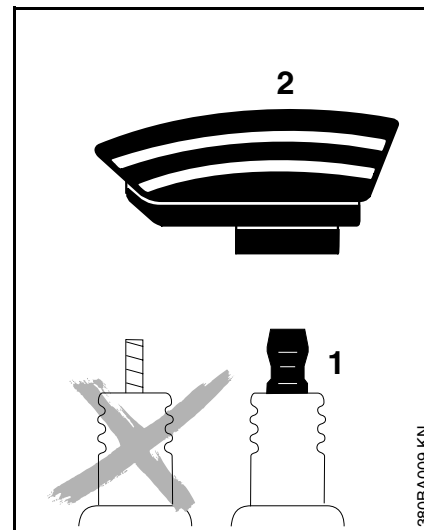
Si el motor tiene poca potencia, le cuesta arrancar o funciona deficientemente a velocidad de ralentí, primero revise la bujía.

- Saque la bujía (vea el capítulo "Arranque / parada del motor").
- Limpie la bujía sucia.
- Mida la separación entre electrodos de la bujía (**A**). Debe ser de 0,5 mm / 0,02 pulg. Vuelva a ajustar si es necesario.
- Use únicamente bujías de tipo resistencia de capacidad aprobada.

Corrija la causa de la suciedad de la bujía:

- demasiado aceite en la mezcla de combustible
- filtro de aire sucio
- condiciones de funcionamiento desfavorables, por ej., funcionamiento a media aceleración.

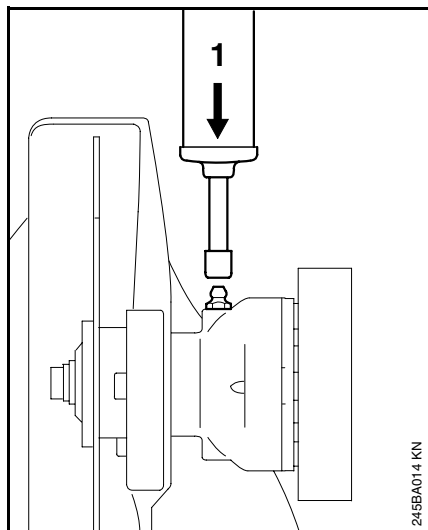
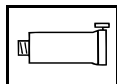
Coloque una bujía nueva después de 100 horas de funcionamiento, aproximadamente, o más temprano si nota que los electrodos están muy desgastados.



⚠ Para reducir el riesgo de incendios y lesiones por quemadura, use solamente bujías autorizadas por STIHL.

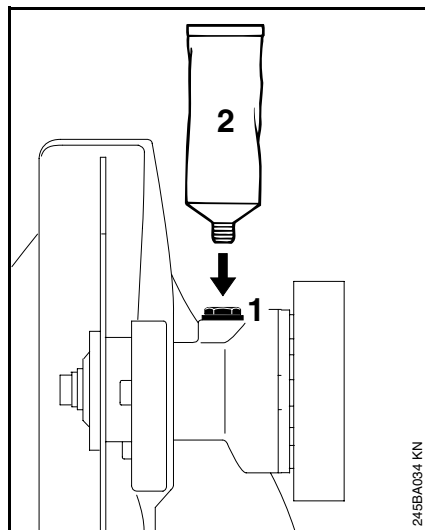
Siempre encaje un casquillo (2) del tamaño correcto bien ajustado en el borne (1) de la bujía. (Nota: Si el casquillo tiene una tuerca adaptadora SAE desprendible, colóquela.) Una conexión suelta entre el casquillo de la bujía y el conector del alambre de encendido puede formar un arco eléctrico, inflamar los vapores combustibles y finalmente causar un incendio.

Lubricación de la caja de engranajes



Caja de engranajes con grasera

- Lubrique aproximadamente cada 50 horas de funcionamiento.
- Aplique la pistola engrasadora (1) contra la grasera y llene la caja de engranajes con 1/4 oz (5 a 10 g) de lubricante para engranajes STIHL para cortadoras de matorrales (vea el capítulo "Accesorios especiales").



Caja de engranajes con tapón de llenado

- Revise el nivel de grasa periódicamente - aproximadamente cada 25 horas de funcionamiento.
- Destornille el tapón de llenado (1).
- Si no se ve grasa en el interior del tapón, atornille el tubo de grasa (2) (vea el capítulo "Accesorios especiales") en el agujero de llenado.

- Exprima grasa dentro de la caja de engranajes - aproximadamente 1/4 oz (5 a 10 g).
- ⚠ No llene completamente con grasa la caja de engranajes.
- Vuelva a colocar el tapón de llenado y apriételo firmemente.

Cuerda de arranque

Para prolongar la vida útil de la cuerda de arranque, siempre observe los puntos siguientes:

- Tire de la cuerda de arranque solamente en el sentido especificado.
- No tire de la cuerda sobre el borde del buje guía.
- No tire de la cuerda más de lo especificado pues se podría cortar.
- No deje que el mango de arranque retroceda bruscamente, guíelo lentamente al interior de la caja. Consulte también el capítulo "Arranque / parada del motor".

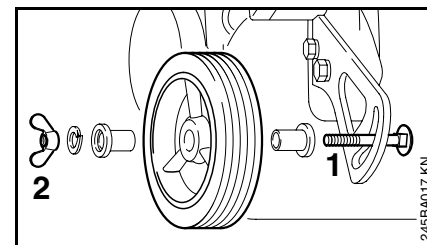
Sustituya la cuerda de arranque dañada oportunamente o pida al concesionario STIHL que se lo haga.

Almacenamiento de la máquina

Por tres meses o más:

- Vacíe y limpie la máquina en una zona bien ventilada.
- Haga funcionar el motor hasta que el carburador se seque - esto ayuda a evitar que los diafragmas del carburador se peguen.
- Retire, limpie e inspeccione la cuchilla.
- Limpie la máquina a fondo - preste atención especial a las aletas del cilindro y al filtro de aire.
- Guarde la máquina en un lugar seco y seguro, fuera del alcance de los niños y de personas no autorizadas para usarla.

Sustitución de la rueda reguladora de profundidad / rueda de caja de engranajes



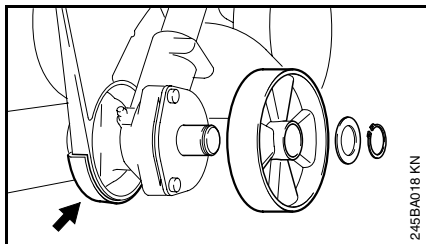
Rueda reguladora de profundidad

Pida al concesionario STIHL que sustituya la rueda reguladora de profundidad.

Las roscas de la punta del tornillo (1) tienen pasta selladora para que la tuerca mariposa (2) quede apretada y no se pierda.


Es necesario aplicar una **fuerza de torsión extremadamente alta** para poder quitar la tuerca mariposa del tornillo. No se puede garantizar la eficacia de la pasta selladora si las piezas se vuelven a armar. En tal caso, pida al concesionario STIHL que sustituya el tornillo con la tuerca mariposa.

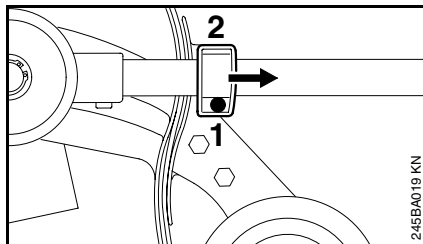
Sustitución de la faldilla



Rueda de caja de engranajes

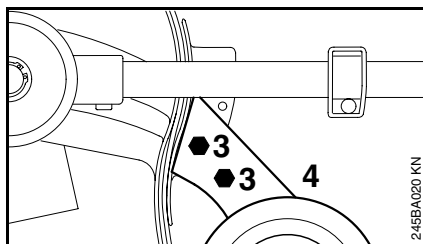
Pida al concesionario STIHL que sustituya la rueda desgastada.

 La rueda protege la caja de engranajes para que no se desgaste. Si la rueda se desgasta, revise el indicador de desgaste y la caja de engranajes en busca de indicios de daño (vea el capítulo "Revisión y sustitución del indicador de desgaste").

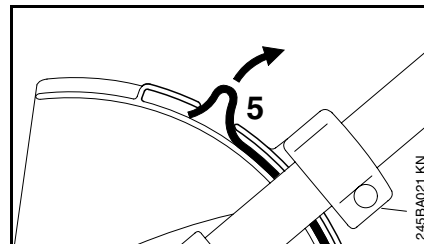


Retiro de la faldilla

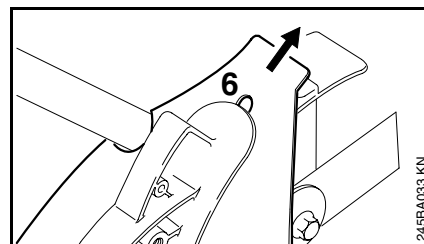
- Afloje el tornillo (1) en la abrazadera (2) y deslice ésta por el tubo de mando hacia el motor.



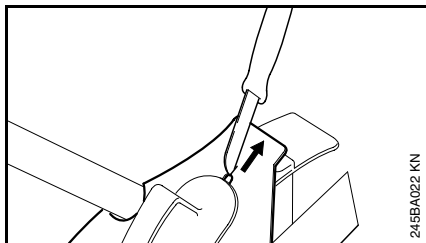
- Saque los tornillos (3) del brazo (4) y retírelos junto con el brazo.



- Tire del extremo (5) de la faldilla para sacarla de debajo del borde del deflector.



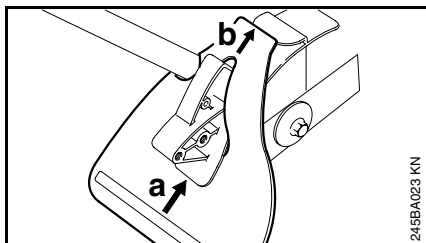
- Tire de la faldilla hacia arriba hasta que la ranura (6) quede a la vista.



245BA022 KN

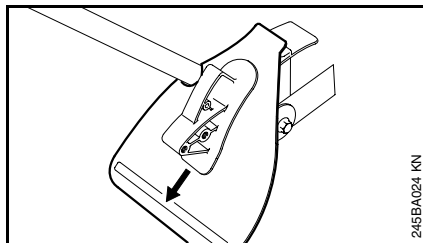
- Use un cuchillo para cortar la faldilla, comenzando en la ranura, y después retire la faldilla.

Colocación de la faldilla



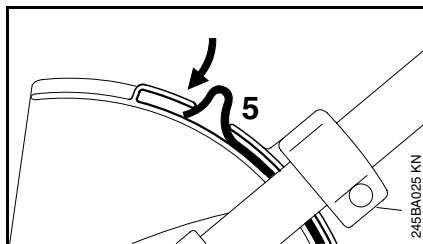
245BA023 KN

- Comenzando en la parte inferior **(a)**, coloque la faldilla en el sujetador, empuje hacia arriba hasta donde tope y pásela **(b)** por encima del borde del sujetador hasta que se deslice a su lugar.



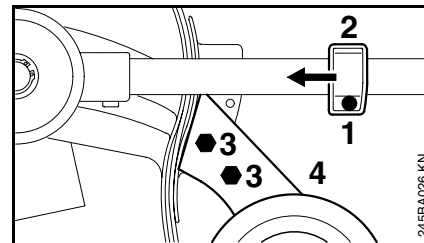
245BA024 KN

- Agarre la faldilla y tírela hacia abajo firmemente.



245BA025 KN

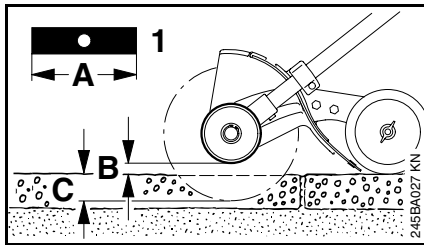
- Empuje el extremo **(5)** de la faldilla por debajo del borde del deflector.



245BA026 KN

- Fije el brazo **(4)** con los tornillos **(3)** y apriételos firmemente.
- Deslice la abrazadera **(2)** por el tubo de mando hacia la caja de engranajes y apriete el tornillo **(1)** firmemente.

Sustitución de la cuchilla



Una cuchilla combada o con roturas no deberá enderezarse ni soldarse – ¡Esto puede hacer que se rompa por completo! Las cuchillas en ese estado deben sustituirse (vea el capítulo "Colocación de la cuchilla"). Utilice exclusivamente cuchillas originales STIHL con número de pieza 4133 713 4101 (con marcas 33/01).

- Sustituya la cuchilla **(1)** cuando su largo **(A)** deja de ser suficiente para mantener la altura necesaria sobre el suelo **(B)** y para obtener la profundidad de corte deseada **(C)**.
Para evitar el desequilibrio: Revise la cuchilla en la herramienta equilibradora STIHL 5910 850 2600.

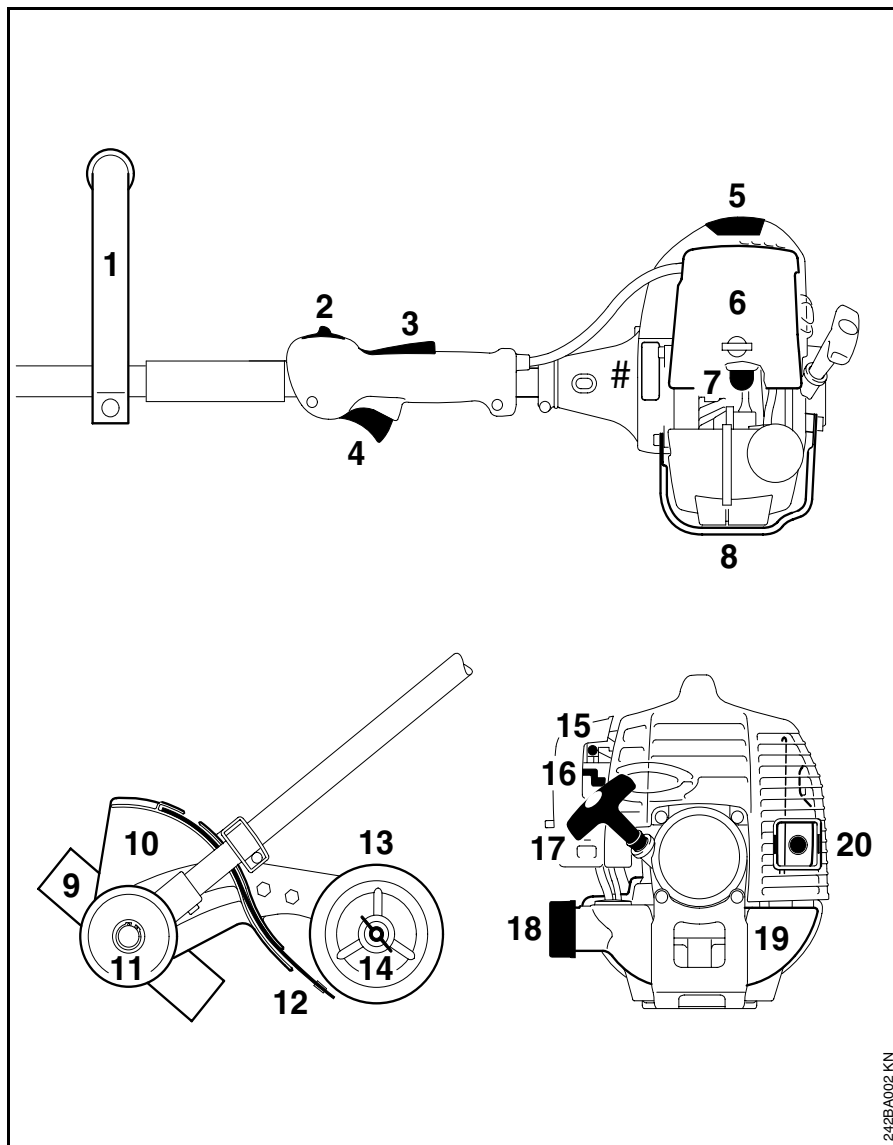
¡No afile la cuchilla!

Tabla de mantenimiento

Los intervalos de mantenimiento dados a continuación corresponden únicamente a condiciones normales de trabajo. Los intervalos especificados deberán acortarse de modo correspondiente si se trabaja por lapsos más largos que lo normal o bajo condiciones difíciles de corte (polvo excesivo, suelo duro, etc.).		Antes de empezar a trabajar	Después de terminar el trabajo o diariamente	Después de cada parada para cargar combustible	Semanalmente	Mensualmente	Cada 12 meses	Si hay problema	Si tiene daños	Según se requiera
Máquina completa	Inspección visual (condición general, fugas)	X		X						
	Limpiar		X							
Mango de control	Comprobar funcionamiento	X		X						
Filtro de aire	Limpiar							X		X
	Reemplazar								X	
Filtro en tanque de combustible	Inspeccionar							X		
	Sustituir el filtro					X		X	X	X
Tanque de combustible	Limpiar							X		X
Carburador	Comprobar ajuste de ralentí – la cuchilla no debe girar	X		X						
	Ajustar el ralentí									X
Bujía	Ajustar la distancia entre electrodos							X		
Conducto de admisión de aire de enfriamiento	Inspección visual		X							
	Limpiar									X
Chispero en silenciador*	Revisar		X					X		
	Limpiar o reemplazar								X	X
Todos los tornillos y tuercas accesibles (salvo los tornillos de ajuste)	Volver a apretar									X
Elementos antivibración	Solicitar al concesionario STIHL su reemplazo							X		
Cuchilla	Inspección visual	X		X						
	Reemplazar								X	
	Revisar el apriete de la cuchilla	X		X						
Indicador de desgaste de la caja de engranajes	Inspeccionar	X								
	Reemplazar									X
Lubricación de caja de engranajes	Revisar				X					
	Restituir									X

* vea "Guía para el uso de este manual"

Piezas y controles



- 1 Mango tórico
- 2 Control deslizante
- 3 Bloqueo del gatillo de aceleración
- 4 Gatillo de aceleración
- 5 Casquillo de bujía
- 6 Cubierta del filtro de aire
- 7 Bomba de combustible
- 8 Apoyo de la máquina
- # Número de serie

- 9 Cuchilla
- 10 Deflector
- 11 Rueda de caja de engranajes
- 12 Faldilla
- 13 Rueda reguladora de profundidad
- 14 Tuerca mariposa
- 15 Tornillo de ajuste del carburador
- 16 Palanca del estrangulador
- 17 Mango de arranque
- 18 Tapa de llenado de combustible
- 19 Tanque de combustible
- 20 Chispero en silenciador*

* vea el capítulo "Símbolos utilizados en este manual"

Definiciones

1. **Mango tórico.**
Para facilitar el control de la máquina durante el proceso de corte.
2. **Control deslizante.**
Interruptor de bloqueo de aceleración de arranque y de parada. Mantiene el acelerador parcialmente abierto durante el arranque y apaga el encendido del motor y detiene su marcha.
3. **Bloqueo del gatillo de aceleración.**
Debe ser oprimido antes de poder activar el gatillo de aceleración.
4. **Gatillo de aceleración.**
Regula la velocidad del motor.
5. **Casquillo de la bujía.**
Conecta la bujía al alambre de encendido.
6. **Cubierta del filtro de aire.**
Cubre el elemento del filtro de aire.
7. **Bomba de combustible.**
Suministra alimentación adicional de combustible para el arranque en frío.
8. **Apoyo de la máquina.**
Para apoyar la máquina en el suelo.
9. **Cuchilla.**
Cuchilla metálica para recortar malezas y plantas verdes blandas.
10. **Deflector.**
El deflector tiene por objeto reducir el riesgo de lesiones causadas por objetos extraños arrojados contra el operador por la herramienta de corte y por el contacto con la herramienta de corte.
11. **Rueda de caja de engranajes.**
Diseñada para proteger la caja de engranajes para que no se desgaste.
12. **Faldilla.**
La faldilla tiene por objeto reducir el riesgo de lesiones causadas por objetos extraños arrojados contra el operador por la herramienta de corte.
13. **Rueda reguladora de profundidad.**
La rueda reguladora de profundidad rueda sobre el suelo y mantiene la cuchilla de la orilladora a la altura correspondiente a la profundidad de corte fijada por el operador.
14. **Tuerca mariposa.**
Es necesario soltarla para mover la rueda para ajustar la profundidad de corte.
15. **Tornillos de ajuste del carburador.**
Para afinar el carburador.
16. **Palanca del estrangulador.**
Facilita el arranque del motor al enriquecer la mezcla.
17. **Mango de arranque.**
El mango de la cuerda de arranque, el cual es el dispositivo usado para arrancar el motor.
18. **Tapa de llenado de combustible.**
Para tapar el tanque de combustible.
19. **Tanque de combustible.**
Contiene la mezcla de combustible y aceite.
20. **Chispero en silenciador.**
Atenúa los ruidos del tubo de escape y desvía los gases de escape lejos del operador. El chispero reduce el riesgo de incendios.

Especificaciones

Motor

E.P.A.:

El período de cumplimiento de emisiones indicado en la etiqueta de cumplimiento de emisiones es la cantidad de horas de funcionamiento para la cual la máquina ha demostrado la conformidad con los requerimientos de emisiones del Gobierno federal de los EE.UU.

Categoría A = 300 horas, B = 125 horas, C = 50 horas

CARB:

El período de cumplimiento de emisiones empleado en la etiqueta del índice de aire CARB tiene las siguientes definiciones:

Extended (extendido) = 300 horas,
Intermediate (intermedio) = 125 horas,
Moderate (moderado) = 50 horas

Motor de un cilindro, dos tiempos

Cilindrada: 1,55 pulg³
(25,4 cm³)

Diámetro: 1,34 pulg
(34 mm)

Carrera: 1,10 pulg
(28 mm)

Potencia del motor
según ISO 8893: 1,3 bhp
(0,95 kW)

Ralentí: 3000 rpm

Sistema de encendido

Tipo: Encendido por magneto electrónico

Bujía (extinguida): NGK CMR 7 A

Distancia entre
electrodos: 0,02 pulg
(0,5 mm)

Roscas de la bujía: M 10 x 1,0;
0,37 pulg
(9,5 mm) de
largo

Sistema de combustible

Carburador: Carburador de diafragma de todas posiciones con bomba de combustible integral

Filtro de aire: Elemento de
espuma y rejilla
metálica

Capacidad del
tanque de com-
bustible: 24 oz fl. (0,7 l)

Mezcla de com-
bustible: Vea "Com-
bustible"

Peso

sin herramienta de
corte y deflector 14,8 lb (6,7 kg)

Accesorios especiales

Cuchilla de
8 pulg (200 mm) 4133 713 4101

Faldilla 4137 740 2800

Indicador de des-
gaste de la caja de
engranajes 4137 713 4501

Anteojos de seguridad
Correa para hombro
Llave combinada
Destornillador de mango acodado

Equilibrador
STIHL 5910 850 2600

Ruedas

Rueda reguladora
de profundidad 4133 712 1000

Rueda de caja de
engranajes 4137 712 1001

Lubricante para engranajes STIHL para
cortadoras de matorrales

Tubo de
3 oz (80 g) 0781 120 1117

Tubo de
8 oz (225 g) 0781 120 1118

Mantenimiento y reparación

El usuario de esta máquina deberá realizar solamente los trabajos de mantenimiento descritos en este manual. Otros trabajos de reparación debe hacerlos solamente un técnico de servicio autorizado por STIHL.

Los reclamos de garantía serán aceptados únicamente si la reparación fue hecha por un concesionario de servicio autorizado por STIHL usando repuestos originales de STIHL.

Los repuestos originales de STIHL se pueden identificar por el número de pieza de STIHL, el logotipo **STIHL** y el símbolo de piezas de STIHL **GI**. En las piezas pequeñas, el símbolo puede aparecer solo.

Homologación de calidad



Todos los productos de STIHL satisfacen las más altas exigencias de calidad.

Una certificación elaborada por una sociedad independiente confirma que todos los productos fabricados por STIHL satisfacen las exigencias requeridas para el desarrollo de productos, adquisición de materiales, producción, armado, documentación y asistencia técnica, según la norma internacional ISO 9001 para sistemas de control de calidad.

Declaración de garantía de STIHL Incorporated sobre sistemas de control de emisiones según normas Federales y del Estado de California

Sus derechos y obligaciones de garantía

La Agencia de Protección del Medio Ambiente (EPA) de los EE.UU., el Consejo de Recursos del Aire del Estado de California (CARB) y STIHL Incorporated se complacen en explicarle la garantía del sistema de control de emisiones instalado en el motor de su equipo de modelos año 2000 y siguientes. En California, los nuevos motores pequeños para uso fuera de carretera deben estar diseñados, construidos y equipados de conformidad con las rigurosas normas de contaminación del aire del estado. En otros estados, los modelos 1997 y posteriores de tales motores deben estar diseñados, construidos y equipados, al tiempo de la venta, de conformidad con los reglamentos correspondientes de la EPA. El motor debe carecer de defectos en el material y la fabricación que puedan causar el incumplimiento de las normas de la EPA durante los primeros dos años de uso del motor a partir de la fecha de compra por el último comprador. STIHL Incorporated debe garantizar el sistema de control de emisiones en el motor pequeño para uso fuera de carretera por el intervalo mencionado más arriba, siempre que dicho motor no haya estado sujeto a maltrato, negligencia o cuidado inapropiado.

El sistema de control de emisiones de su máquina incluye piezas tales como el carburador y el sistema de encendido. Además puede incluir mangueras, conectores y otros conjuntos relativos a emisiones.

Si existe una condición amparada bajo garantía, STIHL Incorporated reparará el motor sin costo alguno, incluido el diagnóstico (si el trabajo de diagnóstico fue realizado por un concesionario autorizado), las piezas y la mano de obra.

Cobertura de garantía del fabricante:

Los motores pequeños para equipos de uso fuera de carretera están garantizados por dos años en el Estado de California. En otros estados, los modelos de 1997 y posteriores de tales motores también están garantizados por dos años. En el caso de encontrarse defectos en cualquiera de las piezas del motor relacionadas con el sistema de control de emisiones, la pieza será reparada o sustituida por STIHL Incorporated sin costo alguno.

Responsabilidades del usuario relativas a la garantía:

Como propietario de tal motor, usted tiene la responsabilidad de realizar el mantenimiento requerido descrito en su manual del usuario. STIHL Incorporated le recomienda guardar todos los recibos comprobantes de los trabajos de mantenimiento hechos a su motor, pero STIHL Incorporated no puede negar garantía basado en el solo hecho de faltar los recibos o del incumplimiento del propietario de realizar todos los trabajos de mantenimiento programados. El uso de cualquier pieza de repuesto o servicio cuyo comportamiento y durabilidad sean equivalentes está permitido en trabajos de mantenimiento o reparación

no contemplados en la garantía, y no reducirá las obligaciones de la garantía del fabricante del motor.

Sin embargo, como propietario del motor pequeño para equipo de uso fuera de carretera usted debe ser consciente de que STIHL Incorporated puede negarle cobertura de garantía si dicho motor o una pieza del mismo ha fallado debido a maltrato, descuido, mantenimiento inadecuado o modificaciones no autorizadas.

Usted es responsable de llevar el motor a un centro de servicio STIHL tan pronto surja el problema. Las reparaciones bajo garantía serán realizadas en un tiempo razonable, sin exceder de 30 días. Ante cualquier duda respecto a sus derechos y responsabilidades según lo estipulado en esta garantía, comuníquese con el representante de STIHL al 1-800-467-8445 ó escriba a STIHL Inc., 536 Viking Drive, P.O. Box 2015, Virginia Beach, VA 23450-2015.

Cobertura por STIHL Incorporated

STIHL Incorporated garantiza al último comprador y a cada comprador subsiguiente que el motor pequeño para equipo de uso fuera de carretera está diseñado, construido y equipado, al tiempo de la venta, de conformidad con todos los reglamentos aplicables. Además, STIHL Incorporated garantiza al comprador inicial y a cada comprador subsiguiente que el motor está libre de defectos en el material y fabricación que puedan causar el incumplimiento de los reglamentos aplicables durante un período de dos años.

Período de garantía

El período de garantía comienza en la fecha en que el motor del equipo utilitario es entregado a usted y usted firma y remite la tarjeta de garantía a STIHL. Si cualquier pieza relacionada con el sistema de control de emisiones está defectuosa, la pieza será sustituida por STIHL Incorporated sin costo alguno para el propietario. Cualquier pieza garantizada cuyo reemplazo no está programado como mantenimiento requerido, o que debe recibir únicamente inspección regular en el sentido de "reparar o sustituir según sea necesario", estará garantizada por el período de garantía. Cualquier pieza cuyo reemplazo está programado como mantenimiento requerido estará garantizada por el intervalo hasta el primer punto de reemplazo programado para esa pieza.

Diagnóstico

Como propietario, a usted no se le debe cobrar la mano de obra por los diagnósticos que determinen que una pieza garantizada está defectuosa. No obstante, si usted reclama garantía para un componente y se comprueba que la máquina no está defectuosa, STIHL Incorporated le cobrará el costo de la prueba del sistema de control de emisiones.

El trabajo de diagnóstico mecánico se realiza en un centro de servicio autorizado por STIHL. La prueba del sistema de control de emisiones se realiza ya sea en la fábrica de STIHL Incorporated o en un laboratorio de ensayos independiente.

Trabajo bajo garantía

STIHL Incorporated reparará los defectos amparados por la garantía en cualquier estación de garantía o centro de servicio autorizado por STIHL. Todo trabajo de este tipo se hará gratis para el propietario siempre que se determine que la pieza cubierta por la garantía está defectuosa. Se puede usar cualquier pieza de repuesto aprobada por el fabricante o equivalente en las piezas relacionadas con el sistema de control de emisiones, y debe ser suministrada gratis al propietario. STIHL Incorporated es responsable por daños a otros componentes del motor causados por la falla de una pieza garantizada que todavía está bajo garantía.

La lista de piezas del sistema de control de emisiones garantizadas del Consejo de Recursos del Aire del Estado de California define específicamente las piezas garantizadas que están relacionadas con las emisiones. Estas piezas garantizadas son:

Carburador
Estrangulador (sistema de refuerzo para arranque en frío)
Múltiple de admisión
Filtro de aire
Bujía
Magneto o sistema de encendido electrónico (módulo de encendido)
Convertidor catalítico (si lo tiene)
Sujetadores/pernos

Dónde presentar el reclamo para servicio bajo garantía

Lleve el producto a cualquier centro de servicio autorizado por STIHL y presente la tarjeta de garantía firmada.

Requerimientos de mantenimiento

Las instrucciones presentadas en este manual se basan en la aplicación de la mezcla recomendada para motores de 2 tiempos (vea también la instrucción "Combustible"). Las discrepancias de estas recomendaciones con respecto a la calidad y la proporción de la mezcla de combustible y aceite pueden exigir intervalos de mantenimiento más cortos.

Limitaciones

Esta garantía de los sistemas de control de emisiones no cubrirá ninguno de los puntos siguientes:

- reparación o sustitución requerida debido a maltrato, negligencia o falta del mantenimiento requerido,
- reparaciones mal hechas o sustituciones contrarias a las especificaciones de STIHL Incorporated que afecten desfavorablemente el funcionamiento y/o la durabilidad, y las alteraciones o modificaciones no recomendadas o aprobadas por escrito por STIHL Incorporated,

y

- la sustitución de piezas y otros servicios y ajustes necesarios para el mantenimiento requerido en y después del primer punto de reemplazo programado.



WARNING!

The engine exhaust from this product contains chemicals known to the State of California to cause cancer, birth defects or other reproductive harm.



ADVERTENCIA

El gas de escape del motor de esta máquina contiene productos químicos que en el estado de California son considerados como causantes de cáncer, defectos de nacimiento u otros efectos nocivos para los órganos de la reproducción.

0458 242 3021

english/español U.S.A./CARB/EPA