

STIHL®

STIHL BGE 60

Instruction Manual

Warning!

For safe operation follow all safety precautions in Instruction Manual - improper use can cause serious injury.



Contents

Parts and Controls	2
Definitions	2
Important Safety Instructions	3
Safety Precautions	5
Assembling the Blower	11
Operating Instructions	12
Using the Blower	13
Using the BGE 60 in Vacuum Mode	14
Maintenance	14
Storing the Machine	14
Specifications	15
Special Accessory	15

This manual contains operating and safety instructions for all STIHL BGE 60 blowers. Pay special attention to the safety precautions outlined on pages 3 to 10. Allow only persons who understand this manual to operate your blower.

To receive maximum performance and satisfaction from your STIHL blower, it is important that you read and understand the maintenance and safety precautions before using your blower.

Contact your STIHL dealer or the STIHL distributor for your area if you do not understand any of the instructions in this manual.

The STIHL BGE 60 blower is a household type appliance

Warning!

Because a blower is a high-speed electric power tool, some special safety precautions must be observed as with any other power tool to reduce the risk of fire, electric shock and personal injury. Careless or improper use may cause serious or even fatal injury.

STIHL's philosophy is to continually improve all of its products. As a result, engineering changes and improvements are made from time to time. If the operating characteristics or the appearance of your blower differ from those described in this manual, please contact your STIHL dealer for information and assistance.

Printing inks contain vegetable oils,
paper is recyclable

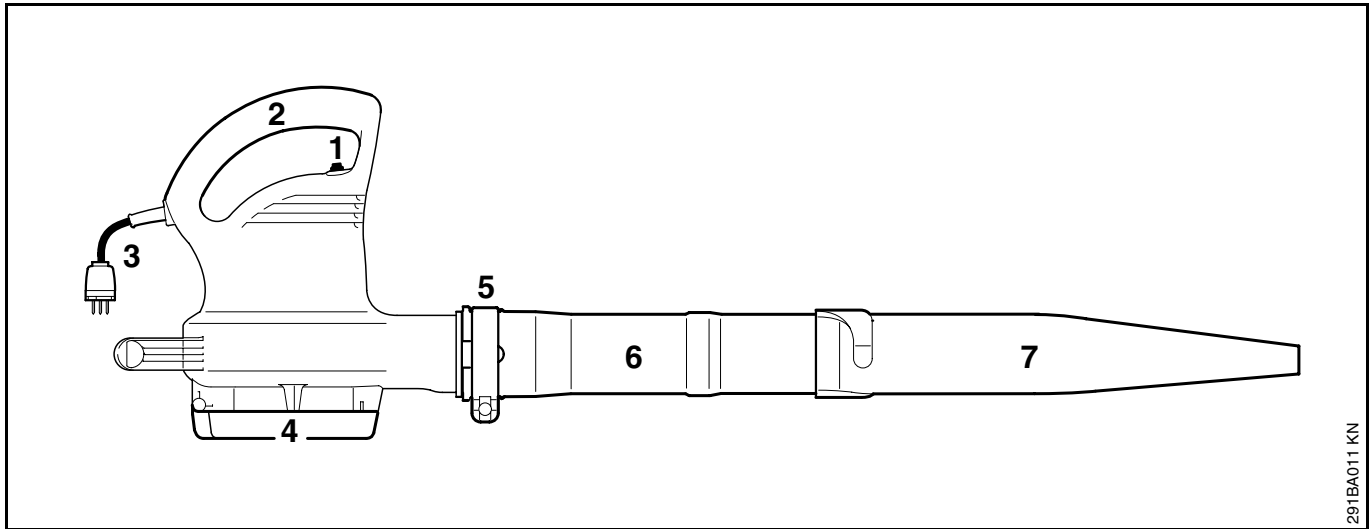
Printed on chlorine-free paper

© 1999 Andreas Stihl AG & Co, Waiblingen
0458 291 3021. M5. F9 Sä. Printed in Germany

STIHL®

Parts and Controls

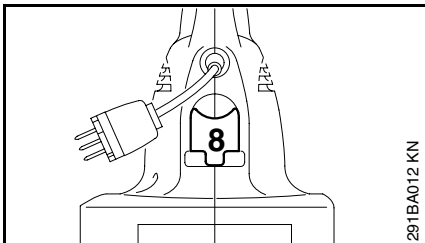
Definitions



- 1 Switch
- 2 Handle
- 3 Power supply cord
- 4 Intake screen
- 5 Clamp
- 6 Blower tube
- 7 Nozzle
- 8 Strain relief flap

- 1. **Switch.**
To switch the machine in position "ON" and "OFF".
- 2. **Handle.**
For control of machine during blowing operation work.
- 3. **Power supply cord.**
Supplies electricity to the appliance.
- 4. **Intake screen.**
Reduces the risk of direct contact with the fanwheel, which is located under the screen.
- 5. **Clamp.**
Secures blower tube to machine.

- 6. **Blower tube.**
Directs airstream.
- 7. **Nozzle.**
Aims and widens the airstream.
- 8. **Strain relief flap.**
Supports extension cord and reduces the likelihood of unintentional disconnection of extension cord and power supply plug.



IMPORTANT SAFETY INSTRUCTIONS

When using an electrical appliance, basic precautions should always be followed, including the following:

READ ALL INSTRUCTIONS BEFORE USING THE STIHL BGE 60

WARNING!

To reduce the risk of fire, electric shock, or injury:

1. Do not leave appliance when plugged in. Unplug from outlet when not in use and before servicing
2. Do not expose to rain. Store indoors.
3. Do not allow to be used as a toy. Close attention is necessary when used near children.
4. Use only as described in this manual. Use only manufacturer's recommended attachments.

5. Do not use with damaged cord or plug. If appliance is not working as it should, has been dropped, damaged, left outdoors, or dropped into water, return it to your STIHL dealer service center.
6. Do not pull or carry by cord, use cord as a handle, close a door on cord, or pull cord around sharp edges or corners. Do not run appliance over cord. Keep cord away from heated surfaces.
7. Do not unplug by pulling on cord. To unplug, grasp the plug, not the cord.
8. Do not handle plug or appliance with wet hands.
9. Do not put any object into openings. Do not use with any opening blocked; keep free of dust, lint, hair, and anything that may reduce air flow.
10. Keep hair, loose clothing, fingers and all parts of body away from openings and moving parts.
11. Turn off all controls before unplugging.
12. Use extra care when cleaning on stairs.
13. Do not use to pick up flammable or combustible liquids such as gasoline or use in areas where they may be present.
14. This appliance is provided with double insulation. Use only identical replacement parts. See instructions for "Servicing of Double-Insulated Appliances".

WHEN VACUUM ATTACHMENT IS EMPLOYED

15. Do not use vacuum attachment on wet surfaces.
16. Do not pickup anything that is burning or smoking, such as cigarettes, matches, or hot ashes.
17. Do not use this appliance in vacuum mode without dust bag in place.
18. Unplug before connecting the vacuum attachment.
19. Unplug before opening the intake screen or removing the vacuum attachment.

SAVE THESE INSTRUCTIONS

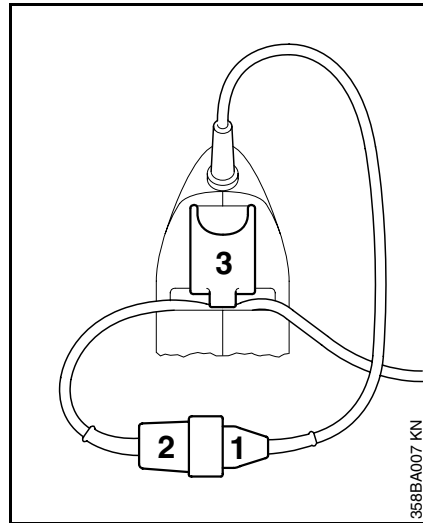


Replacement Parts

When servicing use only identical replacement parts. Polarized plugs: To reduce the risk of electric shock, this equipment has a polarized plug (one blade is wider than the other) This plug will fit in a polarized outlet one way. If the plug does not fit fully in the outlet, reverse the plug. If it still does not fit, contact a qualified electrician to install the proper outlet. Do not change the plug in any way. Replace damaged cords or have them repaired by authorized STIHL Servicing dealer only.

Cord Sets

Make sure your cord set is in good condition. When using an extension cord set, be sure to use one heavy enough to carry the current your product will draw. An undersized extension cord set will cause a drop in line voltage resulting in loss of power and overheating. Table below shows the correct size to use depending on cord length and nameplate ampere rating. If in doubt, use the next heavier gage. The smaller the gage number, the heavier the cord.



Appropriate extension cords are available in special stores for electrical equipment or from your STIHL dealer.

To reduce the risk of disconnection of appliance cord from the extension cord set during operating:

- Insert unit's plug (1) into extension cord coupling (2).
- Swing the flap (3) outward and push extension cord into the recess.
- Let go of the flap.

Minimum wire gage for extension cords for 120 Volt appliances using 6 - 10 Amps

Cord types	SJW-A or SJTW-A marked "outdoor use"		
Cord length (ft)	50	100	150
Wire gage (AWG)	16	14	12

Safety Precautions



Warning!

Because your blower is a high-speed, electric power tool, special safety precautions must be observed to reduce the risk of fire, electric shock and personal injury.



It is important that you read, fully understand and observe the following safety precautions and

warnings. Save this owner's manual and read the safety instructions periodically. Be thoroughly familiar with the controls and the proper use of the equipment. Know how to stop the unit and disengage the controls quickly.

Careless or improper use of any electric blower may cause serious or fatal injury. Have your STIHL dealer show you how to operate your electric blower. Observe all applicable local safety regulations, standards and ordinances.



Warning!

Minors should never be allowed to use a blower: Bystanders, especially children, and animals should not be allowed in the area where a machine is in use. Never let the unit run unattended.

Do not lend or rent your machine without the owner's manual. Be sure that anyone using your unit understands the information contained in this manual.

Most of these safety precautions and warnings apply to the use of all STIHL blowers. Different models may have different parts and controls.

See the appropriate section of your owner's manual for a description of the controls and function of the parts of your machine.

Safe use of a blower involves

1. the operator
2. the blower
3. the use of the blower.

THE OPERATOR

Physical Condition

You must be in good physical condition and mental health and not under the influence of any substance (drugs, alcohol, etc.) which might impair vision, dexterity or judgment. Do not operate a blower when you are fatigued.

Be alert - if you get tired while operating your machine, take a break. Tiredness may result in loss of control. Working with any blower can be strenuous. If you have any condition that might be aggravated by strenuous work, check with your doctor before operating the machine.

Proper Clothing

Clothing must be sturdy and snug-fitting, but allow complete freedom of movement. Avoid loose-fitting jackets, flared or cuffed pants, scarfs, unconfined long hair or anything that could be drawn into the air intake.



Wear overalls or long pants to protect your legs. Do not wear shorts.



Use of gloves when working with the blower is recommended.



Good footing is most important. Wear sturdy shoes with nonslip soles.



Warning!

To reduce the risk of injury associated with the inhalation of dust, use a face filter mask when using your blower in dusty conditions.



Warning!

Proper eye protection is a must. Even though the discharge is directed away from the operator, ricochets and bounce-backs can occur during

blower operations.

Never operate a blower unless wearing goggles or properly fitted safety glasses with adequate top and side protection which comply with ANSI Z 87.1 (or your applicable national standard).

Blower noise may damage your hearing. Wear sound barriers (ear plugs or ear muffers) to protect your hearing. Continual and regular users should have their hearing checked regularly.

THE BLOWER

For illustrations and definitions of the blower parts see the chapter on "Parts and Controls"

Warning!

Never modify a blower in any way. Only attachments supplied by STIHL or expressly approved by STIHL for use with the specific STIHL blower models are authorized. Although certain unauthorized attachments are useable with the STIHL blower, their use may be extremely dangerous.

THE USE OF THE ELECTRIC BLOWER

Electrical precautions

Special precautions for electric blowers must be observed to reduce the risk of personal injury and property damage from fire and electric shock.

Warning!

When servicing, use only identical replacement parts. Only authorized personnel should repair or replace damaged cords. Never attempt unauthorized repairs or open the powerhead.

Warning!

The voltage of the power supply must agree with the voltage specified on the blower's machine label. Improper voltage will damage the blower and may cause personal injury.

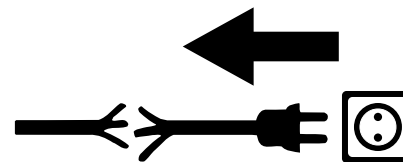
Warning!

Be sure switch is off when plugging the unit into the power supply in order to reduce the risk of fire or electrical shock from arcing and the risk of injury from unintended blowing.

Warning!

In order to reduce the risk of serious injury from electrocution, never use your

blower if the power supply cord or plug is cut, cracked, worn or damaged.



Have a dealer replace such a power supply cord.

Warning!



To avoid electric shock, do not use the blower in damp or wet locations. Do not use on wet surfaces. Do not expose to or use in rain. To reduce the risk of electric shock, do not handle the plug or the unit with wet hands.

Warning!

When using the electric blower, always keep the power supply cord behind you. Always ensure that your power supply cord does not become entangled with obstacles or objects. Damaged cables may cause electrocution. Always disconnect the plug from the power supply when you take a break.

Cord Sets

Warning!

To reduce the risk of electric shock use only extension cords that are intended for outdoor use.

Do not use damaged extension cords. Examine extension cord before using and replace if damaged. When using an extension cord, be sure to use one heavy enough to carry the current your trimmer will draw. An undersized extension cord will cause a drop in line voltage resulting in loss of power and overheating. The table on page 4 shows the correct size to use depending on cord length and machine label ampere rating.

For minimum wire size for extension cords for **120 Volt** appliances using 6-10 amps see page 4.

Appropriate extension cords are available in special stores for electrical equipment. Cords should be suitable for outdoor use and marked "Suitable For Use With Outdoor Appliances - Store Indoors"

To reduce the risk of electric shock, this appliance has a polarized plug (one blade is wider than the other). This plug will fit in a polarized outlet only one way. If the plug does not fit fully in the outlet, reverse the plug. If it still does not fit, contact a qualified electrician to install

the proper outlet. Do not change the plug in any way.

Warning!

To reduce the likelihood of disconnection and the risk of electric shock, always attach the extension cord to the blower using the retaining flap on the handle as shown in the chapter entitled "Starting" in your owner's manual.

Warning!

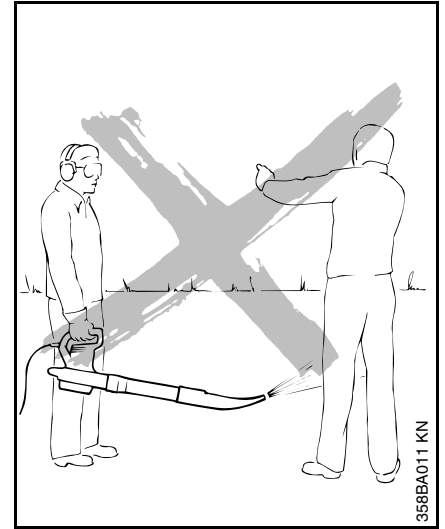
Avoid damage to the power supply cord. Keep cord away from heat, oil and sharp edges. Never carry blower by power cord or jerk power cord to disconnect the plug from the wall outlet. To unplug, grasp the plug not the cord.

Transporting the electric blower

Always switch off the motor before putting down blower. When transporting your unit in a vehicle, properly secure it to prevent turnover and damage to the machine.

Preparation for the use of the electric blower

Always check your electric blower for proper condition and operation before starting, particularly the power supply cord, plug and switch.



Warning!

Inspect the power supply cord and plug before and after each use for signs of damage or aging.

Working Conditions

Warning!

Your blower is a one-person machine. To reduce the risk of eye or other injury from thrown objects, do not direct air blast towards bystanders, since the high pressure of the air flow could injure eyes and could blow small objects at great speed. Insure that bystanders are at least 50 feet (15 m) away during use.

Switch off the motor immediately if you are approached.

Never operate your machine if it is damaged or not completely and securely assembled.



Warning!

Operate your machine under good visibility and daylight conditions only. Work carefully.

When working with the blower, always wrap your fingers tightly around the handle, keeping the control handle cradled between your thumb and forefinger. Keep your hand in this position to have your machine under control at all times. Make sure your control handle (and grip for vacuum attachment) are in good condition and free of moisture, pitch, oil or grease.



Warning!

Use of this product can generate dust, mists, and fumes containing chemicals known to cause respiratory disease, cancer, birth defects, or other reproductive harm. If you are unfamiliar with the risks associated with the particular dust, mists or fumes at issue, consult your employer, governmental agencies such as OSHA and NIOSH and other sources on hazardous materials. If the substance being blown or vacuumed is a commercial substance, review the material safety data sheet for that substance and / or consult the material manufacturer /

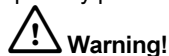
supplier. The state of California and some other authorities, for instance, have published lists of substances known to cause cancer, reproductive toxicity, etc.

Control dust, mist and fumes at the source where possible. In this regard use good work practices and follow the recommendations of OSHA / NIOSH and occupational and trade associations. When the inhalation of toxic dust, mists and fumes cannot be eliminated, the operator and any bystanders should always wear a respirator approved by NIOSH / MSHA for the substance at issue.



Warning!

Dust with silica in its composition may contain crystalline silica. Silica is a basic component of sand, quartz, brick, clay, granite and numerous other minerals and rocks, including masonry and concrete products. Repeated and / or substantial inhalation of airborne crystalline silica can cause serious or fatal respiratory disease, including silicosis. In addition, the state of California and some other authorities have listed respirable crystalline silica as a substance known to cause cancer. When encountering such materials, always follow the respiratory precautions mentioned above.



Warning!

Breathing asbestos dust is dangerous and can cause severe or fatal injury, respiratory illness or cancer. The use and

disposal of asbestos containing products have been strictly regulated by OSHA and the Environmental Protection Agency. Do not blow or disturb asbestos or asbestos containing products, such as asbestos insulation. If you have any reason to believe that you might be disturbing asbestos, immediately contact your employer or a local OSHA representative.



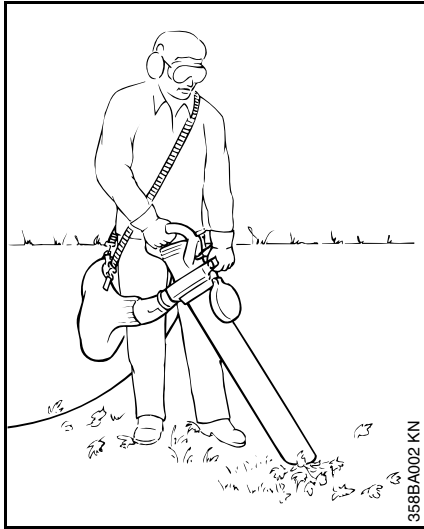
Warning!

Always switch off the motor before cleaning or servicing the unit or replacing parts.

The blower fan between the air intake and output openings rotates whenever the engine is running. In order to reduce the risk of injury from contact with the fan, never operate your unit without a properly mounted intake screen and blower tube. Never insert any foreign object into the air intake or output openings of the machine.

Pay attention to the direction of the wind, i.e., do not work against the wind.

To reduce the risk of stumbling and loss of control, do not walk backwards while operating the machine.



Using the vacuum attachment for the BGE 60 P/No 4804-007-1002 (special accessory)

The vacuum attachment for the BGE 60 is a special accessory and only available from your STIHL dealer.

For specific assembling instructions, see the appropriate section of your owner's manual. Do not use this appliance in vacuum mode without dust bag in place. When working with the vacuum attachment (for the BGE 60), always hold the unit firmly with both hands.

Carry the catcher bag with the carrying harness over the left shoulder.



Warning!

To reduce the risk of personal injury from fire and explosion, never attempt to pick up hot or burning substances (e.g. smoldering ashes, glowing cigarettes). In order to reduce the risk of personal or even fatal injury from electrocution, fire or explosion, never attempt to vacuum any liquid (e.g. water, gasoline) or wet material (e.g. wet leaves or grass).

Warning!

In order to reduce the risk of injury from contact with rotating parts and damage to the motor, the intake screen must always be secured in place when the suction tube is not mounted.

Warning!

Never vacuum solid objects such as nails, steel shavings, tacks, rocks or broken glass. These objects may be struck and flung away at high speed and may cause injury to the operator or bystander.

MAINTENANCE, REPAIR AND STORING

SERVICING OF DOUBLE-INSULATED APPLIANCE

Your STIHL BGE 60 blower/vac is double-insulated. In a double-insulated appliance, two systems of insulation are provided instead of grounding. No grounding means is provided on a double-insulated appliance, nor should a means for grounding be added to the appliance. Servicing a double-insulated appliance requires extreme care and knowledge of the system, and should be done only by qualified service personnel. Replacement parts for a double-insulated appliance must be identical to the parts they replace.

Use only identical STIHL replacement parts for maintenance and repair. Use of parts manufactured by others may cause serious or fatal injury. Follow the maintenance and repair instructions in the appropriate section of your owner's manual.

Warning!

Always switch off the motor, disconnect the plug from the power supply and make sure that the fan is stopped before doing any maintenance or repair work or cleaning the blower. Do not attempt any maintenance or repair work not described in your owner's manual. Have such

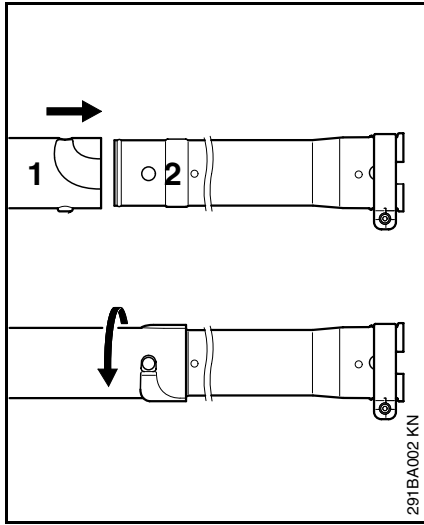
work performed at your STIHL service shop only.

Only authorized personnel may replace the power supply cord. A damaged power supply cord must be replaced by an identical STIHL replacement part.

Check cooling air inlets about every ten hours of operation and clean if necessary. Do not use any strong detergents on the plastic housing or handle. These parts can be attacked by certain house-hold cleaners containing aromatic oils such as pine or lemon, or by solvents such as kerosene. Do not spray water on the blower, moisture can cause an electric shock hazard. Wipe moisture off the unit with a cloth.

Store blower in a dry and high or locked location place and out of reach of children.

Assembling the Blower



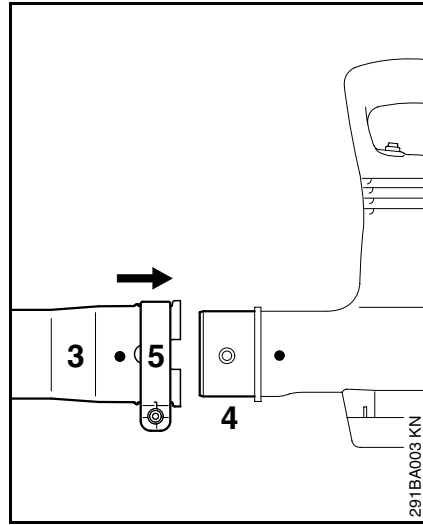
The unit comes standard as a blower. A vacuum attachment for the BGE 60* is available for user installation which can be used to pick up leaves, grass and similar materials.

Blower

- Push the nozzle (1) onto the blower tube (2) as far as stop.
- Rotate nozzle in direction of arrow (see ill.) until lug on blower tube engages.

* Special accessory
P/No 4804-007-1002

BGE 60



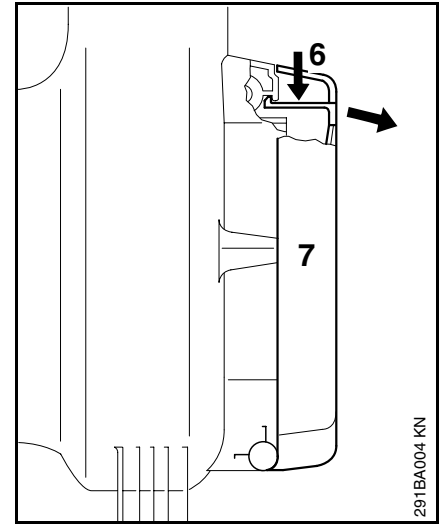
- Line up the marks and then push the blower tube (3) onto the stub (4).
- Tighten the clamp (5).

Preparations for vacuuming

Before using the vacuum attachment for the first time:

- Fit the elbow inside the catcher bag.

It is necessary to remove the blower tube and fit the elbow with catcher bag in its place.



- Release the clamp.
- Pull the blower tube off the fan housing stub.

Fitting the vacuum attachment for BGE 60

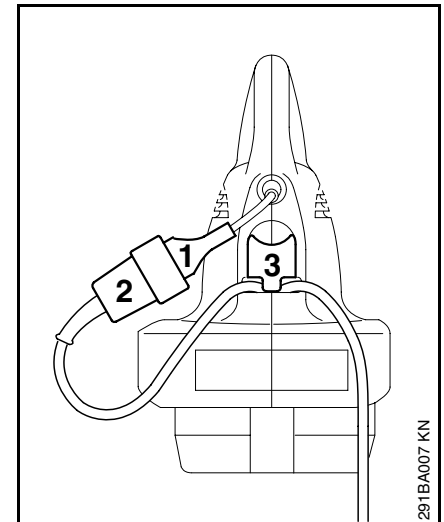
- Use screwdriver to press down the tab (6) and open the intake screen (7).

Operating Instructions

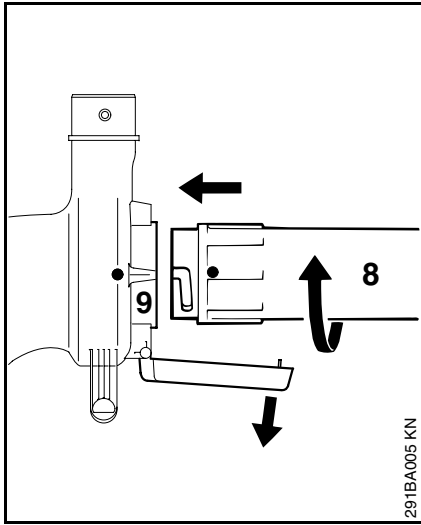
Connecting to power supply

Observe safety precautions - see chapter "Safety Precautions"

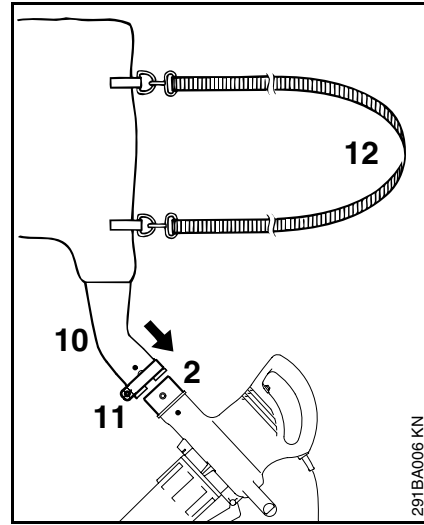
The voltage of your power supply and the voltage specified on the unit must be the same. For correct extension cord see page 4.



- Insert unit's plug (1) in extension cord coupling (2).
- Swing the flap (3) outward and push extension cord into the recess.
- Let go of the flap.



- Line up the dots on the suction tube (8) and fan housing intake (9) - push tube into the housing.
- Rotate tube clockwise to engage bayonet coupling.



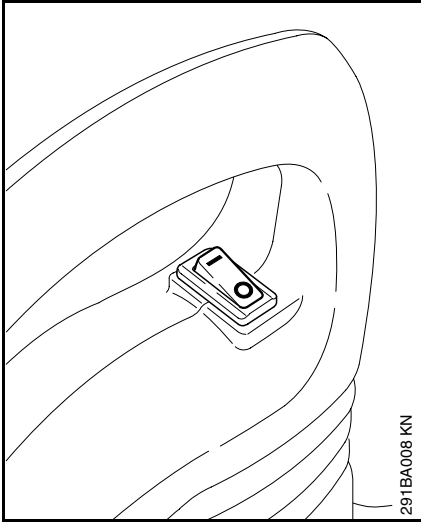
- Line up the dots on the elbow (10) and the fan housing stub (2) - push the elbow onto the stub.
- Tighten down the clamp (11).
- Attach the carrying strap (12).

Vacuum attachment is now ready for use.

Converting back to blower

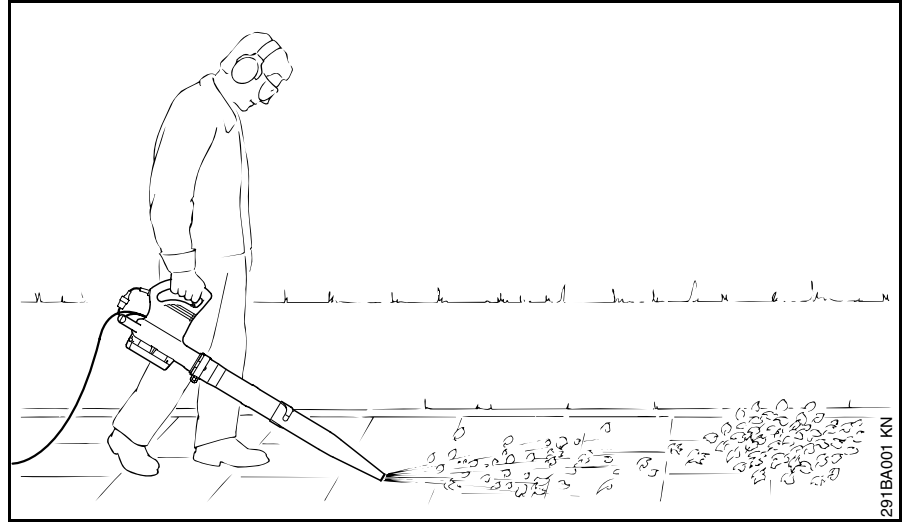
- Remove elbow with catcher bag - as described under "Preparations for vacuuming" - and the suction tube.
- Allow spring action to close the intake screen so that it snaps into position.
- Fit and secure the blower tube.

Using the Blower



Switching on/off

- Make sure you have a secure and balanced footing. Hold the unit in your right or left hand.
- To switch on, move the switch to position **I**.
To switch off, move the switch to position **O**.



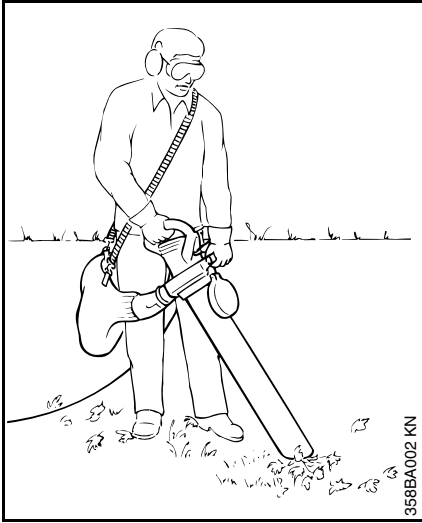
Your electric blower is designed for one-handed operation. It can be carried by the molded handle in either the right or left hand.

The fan-shaped nozzle produces a broad and powerful airstream at ground level which is suitable for a wide variety of clean-up jobs.

It can be aimed and controlled very accurately.

This nozzle is highly effective for blow-sweeping sawdust, leaves, grass clippings, etc. on flat surfaces.

Using the BGE 60 in Vacuum Mode



When using the unit with the vacuum attachment (special accessory), wear the catcher bag's carrying strap over your left shoulder. Hold the unit with your left hand on the assist handle and your right hand on the control handle.


The large diameter suction tube enables the unit to pick up all kinds of trash, e.g. even large leaves, pieces of cardboard, paper or bark. To avoid damaging the fanwheel, do not attempt to vacuum large, hard objects.

If the fanwheel becomes blocked - switch off the unit - pull out the plug. Clear the blockage.

Maintenance

The user of the blower may carry out only the maintenance operations described in this manual. Other repair work may be performed only by an authorized STIHL Service Shop.

Warranty claims following repairs can be accepted only if the repair has been performed by an authorized STIHL Service Shop using original STIHL spare parts.


Original STIHL parts can be identified by the STIHL part number, the **STIHL** logo and/or the STIHL parts symbol . The symbol may appear alone on small parts.

Storing the Machine

- Remove the blower tube and nozzle.
- Store the machine in a dry and locked location, out of the reach of children and other unauthorized persons.

Specifications

Motor

Rating:	1150 W
Rated current:	9.6 A
Voltage:	120 V
Frequency:	60 Hz
Maximum speed:	9600 rpm
Insulation:	Double Insulation 

Max. air flow rate in blower mode:	361 cfm (615 m ³ /h)
in vacuum mode:	315 cfm (535 m ³ /h)
Air velocity in blower mode:	203 ft/s (62 m/s)

Weight

(complete)	
blower:	6.4 lb (2.9 kg)
with vacuum attachment:	7.7 lb (3.5 kg)

Dimensions

(without blower tube)	
Length:	14.8 in (375 mm)
Width:	8.3 in (210 mm)
Height:	13 in (330 mm)

Bystanders noise per ANSI B 175.2-1990	63 dB (A)
---	-----------

Special Accessory

Vacuum attachment	4804 007 1002
Gutter cleaning kit	4227 007 1005

0458 291 3021

englisch / English USA